

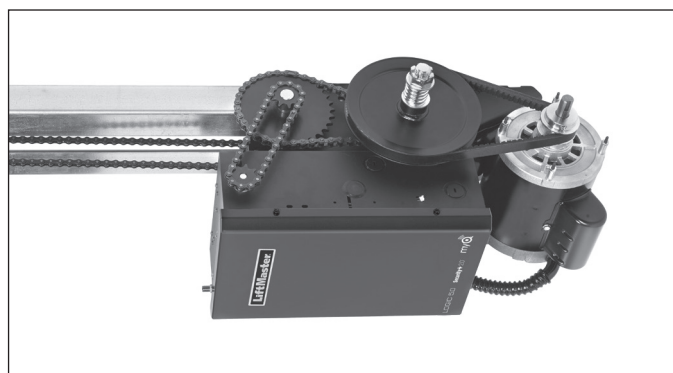
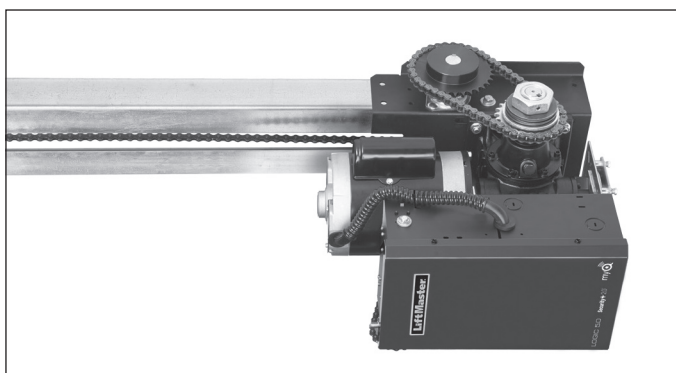
# Logic 5.0 Commercial Door Operator

## INSTALLATION MANUAL

**Security+ 2.0®**

myQ®

### Models GSD and SD



#### NOT FOR RESIDENTIAL USE

- Please read this manual and the enclosed safety materials completely, prior to installation and use!
- This product is to be installed and serviced by a trained door systems technician only.
- A LiftMaster Monitored Entrapment Protection (LMEP) Device is REQUIRED for B2, T, TS, and FSTS wiring types.
- Upon completion of installation, test entrapment protection device(s) prior to placing the operator into active use.
- These operators are compatible with myQ® and Security+ 2.0® accessories.

#### 2 YEAR WARRANTY

Serial # \_\_\_\_\_

Installation Date \_\_\_\_\_



LiftMaster  
300 Windsor Drive  
Oak Brook, IL 60523

# LiftMaster®

# TABLE OF CONTENTS

---

<b>SAFETY INFORMATION</b>	<b>2</b>	<b>MAINTENANCE</b>	<b>27</b>
		Maintenance Schedule	27
<b>INTRODUCTION</b>	<b>3-5</b>	How to Order Repair Parts	27
Carton Inventory	3	Life of Operator Feature (Odometer/Cycle Counter)	27
Hardware Kits	3	GSD Brake	27
Operator Specifications	4	SD Brake	28
Maximum Door Area	4	<b>TROUBLESHOOTING</b>	<b>28-31</b>
Operator Dimensions	5	Diagnostic Chart	28
		Troubleshooting Guide	29
<b>ASSEMBLY</b>	<b>6-7</b>	Troubleshooting Error Codes	30
		Troubleshooting Radio Functionality	31
<b>INSTALLATION</b>	<b>8-9</b>	<b>WIRING DIAGRAMS</b>	<b>32-33</b>
Typical Installation	8	Logic 5.0 Single Phase Wiring Diagram	32
Fusible Link (Optional)	9	Logic 5.0 Three Phase Wiring Diagram	33
<b>WIRING</b>	<b>10-11</b>	<b>ACCESSORIES</b>	<b>34-36</b>
Power and Ground	10		
Voltage Selection	10	<b>CONTROL CONNECTIONS DIAGRAM</b>	<b>37</b>
Control Station	11		
<b>ENTRAPMENT PROTECTION</b>	<b>12-13</b>		
LiftMaster Monitored Entrapment Protection (LMEP)	12-13		
<b>ADJUSTMENT</b>	<b>14-15</b>		
Limit Adjustment	14		
Clutch Adjustment (Model SD)	15		
Torque Limiter Adjustment (Model GSD)	15		
<b>TESTING</b>	<b>16</b>		
<b>MANUAL RELEASE</b>	<b>17</b>		
<b>PROGRAMMING</b>	<b>18-25</b>		
Introduction to Programming	18		
Determine and Set Wiring Type	19		
Programming Remote Controls	20-21		
myQ® Smart Facility Access	22		
Programming myQ Devices	22		
Maintenance Alert System (MAS)	23		
Open Mid Stop	24		
Timer-To-Close	24-25		
Car Dealer Mode	25		
Maximum Run Timer (MRT)	26		
Resetting Factory Defaults - Clearing Memory	26		

# SAFETY INFORMATION

## WARNING

Mechanical

## WARNING

Electrical

## CAUTION

When you see these Safety Symbols and Signal Words on the following pages, they will alert you to the possibility of **serious injury** or **death** if you do not comply with the warnings that accompany them. The hazard may come from something mechanical or from electric shock. Read the warnings carefully.

When you see this Signal Word on the following pages, it will alert you to the possibility of damage to your door and/or the door operator if you do not comply with the cautionary statements that accompany it. Read them carefully.

### IMPORTANT NOTES:

- *BEFORE attempting to install, operate or maintain the operator, you must read and fully understand this manual and follow all safety instructions.*
- *DO NOT attempt repair or service of your commercial door and gate operator unless you are an Authorized Service Technician.*
- *Operator intended to be installed on a properly balanced door only. Make sure door is properly balanced before installing.*



**WARNING:** This product can expose you to chemicals including lead, which are known to the State of California to cause cancer or birth defects or other reproductive harm. For more information go to [www.P65Warnings.ca.gov](http://www.P65Warnings.ca.gov).

## IMPORTANT INSTALLATION INSTRUCTIONS

### WARNING

### TO REDUCE THE RISK OF SEVERE INJURY OR DEATH:

1. READ AND FOLLOW ALL INSTALLATION WARNINGS AND INSTRUCTIONS.
2. Install door operator ONLY on properly balanced and lubricated door. An improperly balanced door may not reverse when required and could result in SEVERE INJURY or DEATH.
3. ALL repairs to cables, spring assemblies and other hardware MUST be made by a trained door systems technician BEFORE installing operator.
4. Disable ALL locks and remove ALL ropes connected to door BEFORE installing operator to avoid entanglement.
5. Install door operator 8 feet (2.44 m) or more above floor.
6. NEVER connect door operator to power source until instructed to do so.
7. NEVER wear watches, rings or loose clothing while installing or servicing operator. They could be caught in door or operator mechanisms.
8. Install control station:
  - within sight of the door.
  - out of reach of small children at minimum height of 5 feet (1.5 m) above floors, landings, steps, or any other adjacent walking surface.
  - away from ALL moving parts of the door.
9. Install the control station far enough from the door to prevent the user from coming in contact with the door while operating the controls.
10. Install the entrapment warning placard on wall next to the control station in a prominent location that is visible from the door.
11. Place manual release/safety reverse test label in plain view on inside of door.
12. Upon completion of installation, test entrapment protection device.
13. This door operator is not intended to replace door locks. With enough force, a door without a door lock can be opened. LiftMaster always recommends the use of door locks to properly secure a door.
14. **SAVE THESE INSTRUCTIONS.**

# INTRODUCTION

## CARTON INVENTORY

Before beginning your installation check that all components were provided.

### DESCRIPTION

Powerhead assembly

Owner's manual and caution labels

Hardware box (includes fasteners, track spacers, trolley, door arm assembly, front idler and header mounting bracket)

3-Button control station with MAS LED

Trolley drive chain

**NOTE:** *The tracks are shipped separately.*

### ENTRAPMENT PROTECTION DEVICES:

#### LiftMaster Monitored Entrapment Protection (LMEP)

Monitored photoelectric sensors and/or door edge sensors are required for any momentary contact to close modes of operation. See pages 12-13 for additional information. Refer to the accessories pages 34-36, 'Entrapment Protection Devices' for available options.

## HARDWARE KITS

KIT PART #	DESCRIPTION
*K77-10473	Complete Hardware Kit for Single Slide door
*K77-10474	Complete Hardware Kit for Bi-Sliding doors
K75-10470	Trolley Slider Kit for Single Slide door
K75-10471	Trolley Slider Kit for Bi-Sliding doors
K75-10469	Door Disconnect Kit
K75-16339	Wall Bracket Kit

PART #	DESCRIPTION	SINGLE SLIDE OPENING WIDTH						BI-PART SLIDE OPENING WIDTH			
		To 8 feet	10 feet	12 feet	14 feet	16-20 feet	22-24 feet	To 8 feet	8-12 feet	12-16 feet	16-20 feet
See chart	Track	10-5808	10-5810	10-5812	10-5814	10-5820	10-5824	10-5812	10-5814	10-5820	10-5824
See chart	Roller Chain	19-5114	19-5114	19-5114	19-5114	19-5120	19-5124	19-5114	19-5116	19-5118	19-5120
K75-16339	Wall brackets	4	4	4	4	5	6	4	5	6	6

\* (4) wall brackets are included in the standard hardware kit. Single doors over 14 feet (4.26 m) or Bi-Part doors over 8 feet (2.44 m) will require additional wall brackets, refer to chart.

# OPERATOR SPECIFICATIONS

## MOTOR

**TYPE:** . . . . . Continuous duty

### HORSEPOWER:

Model GSD . . . . . 1/2, 3/4, 1, 1-1/2 HP

Model SD . . . . . 1/3, 1/2, 3/4 and 1 HP

**SPEED (at rated load):** . . . . . 1725 RPM

**VOLTAGE:** . . . . . 115/230V 1 Phase  
208/230/460/575V 3 Phase

### CURRENT (Amperage):

Voltage-Phase	1/3HP	1/2HP	3/4HP	1HP	1-1/2HP
115-1Ø, 60Hz	8.5	11.2	13.6	16	20
230-1Ø, 60Hz	4.2	5.6	6.8	8	10
208/230-3Ø, 60Hz	3	3.1	4	6	7
460-3Ø, 60Hz	1.5	1.75	2	3	3.5
575-3Ø, 60Hz	1.3	1.4	1.6	1.8	2.75

## ELECTRICAL

**TRANSFORMER:** . . . . . 24Vac Secondary

**CONTROL STATION:** . . . . . NEMA 3-Button Station  
Open/Close/Stop w/LED

**WIRING TYPE:** . . . C2 (Standard) Momentary contact to OPEN & STOP, constant pressure to CLOSE, plus wiring for LMEP Device to reverse and auxiliary devices to open and close with open override. See page 19 for optional wiring types and operating modes.

**LIMIT ADJUST:** . . Linear driven, fully adjustable screw type cams. Adjustable to 24"

## SAFETY

**DISCONNECT:** . . . . . Quick disconnect door arm for emergency manual door operation.

### ENTRAPMENT PROTECTION DEVICES:

#### LiftMaster Monitored Entrapment Protection (LMEP)

Photoelectric Sensors (CPS-U): . . . . . Through beam used to provide non-contact entrapment protection.

Edge Sensor (Optional): . . . . . Electric or pneumatic edge sensor attached to the bottom edge of door.

\*Monitored Photoelectric Sensors and Edge Sensors are required for any momentary contact to close mode of operation.

## MECHANICAL

### DRIVE REDUCTION:

Model GSD . . . . . Primary: 20:1 Heavy duty worm gear-in-oil-bath speed reducer  
Output: #41 chain

Model SD . . . . . Primary: Heavy duty (5L) V-Belt Secondary: #41 chain/sprocket;  
Output: #41 chain (1/3 and 1/2 HP)  
#41 chain (3/4 and 1 HP)

### OUTPUT SHAFT SPEED:

Model GSD . . . . . 113.5 RPM

Model SD . . . . . 140 RPM

**DOOR SPEED (not adjustable):** . . . . . 11-12" per second

**BRAKE:** . . . . . Solenoid actuated drum brake on 3/4 and 1 HP (available as an option for 1/3 and 1/2 HP)  
Solenoid actuated disc brake standard on Model GSD

**BEARINGS:** . . . . . Output Shaft: Shielded ball bearing

Model SD . . . . . Clutch Shaft: IronCopper sintered and oil impregnated

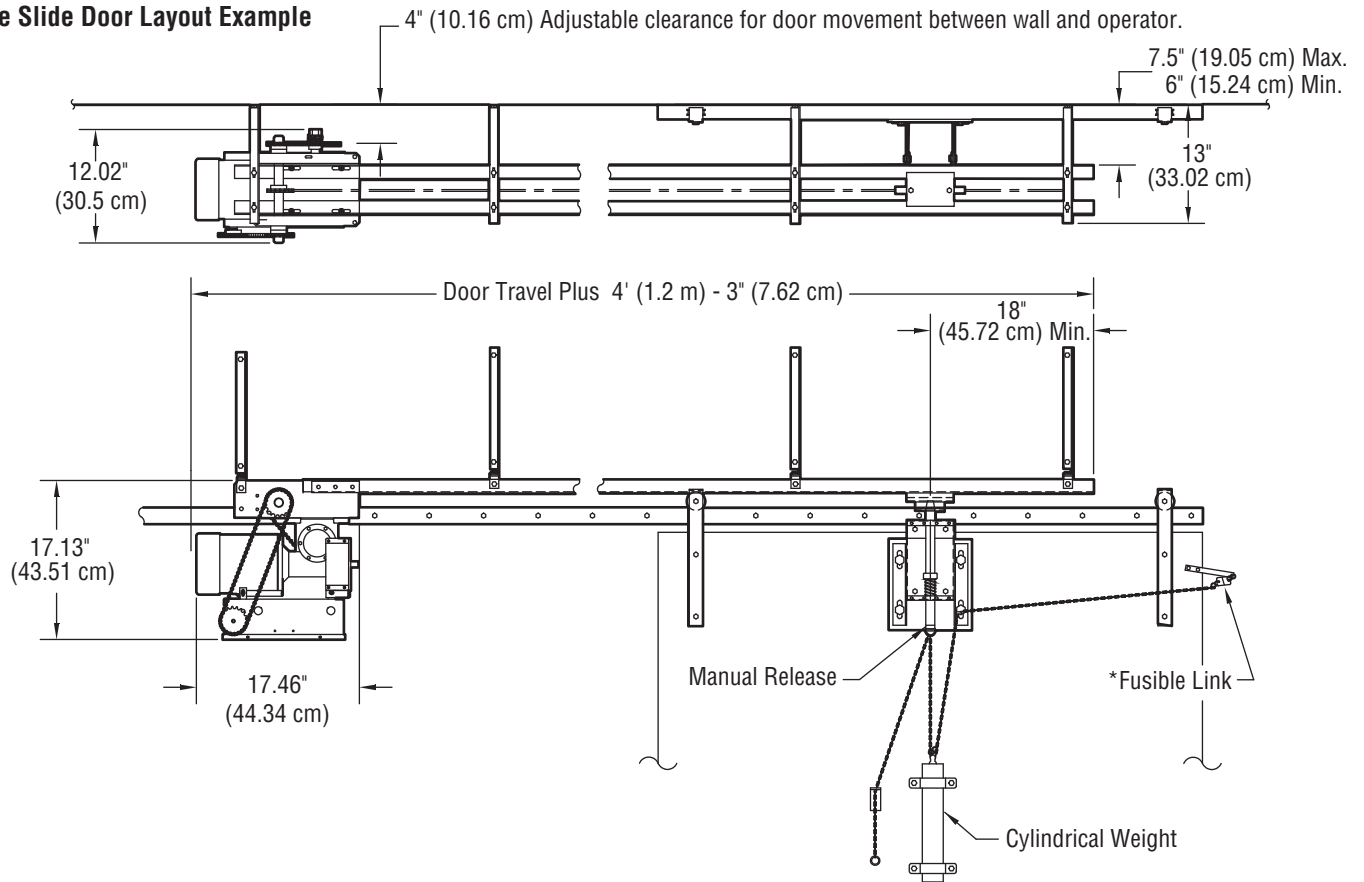
## MAXIMUM DOOR AREA

MODEL GSD		
Horsepower	Maximum Door Weight (lbs.)	Maximum Door Area (sq. ft.)
1/2 HP	1400	300
3/4 HP	2200	420
1 HP	2800	520
1-1/2 HP	3400	620

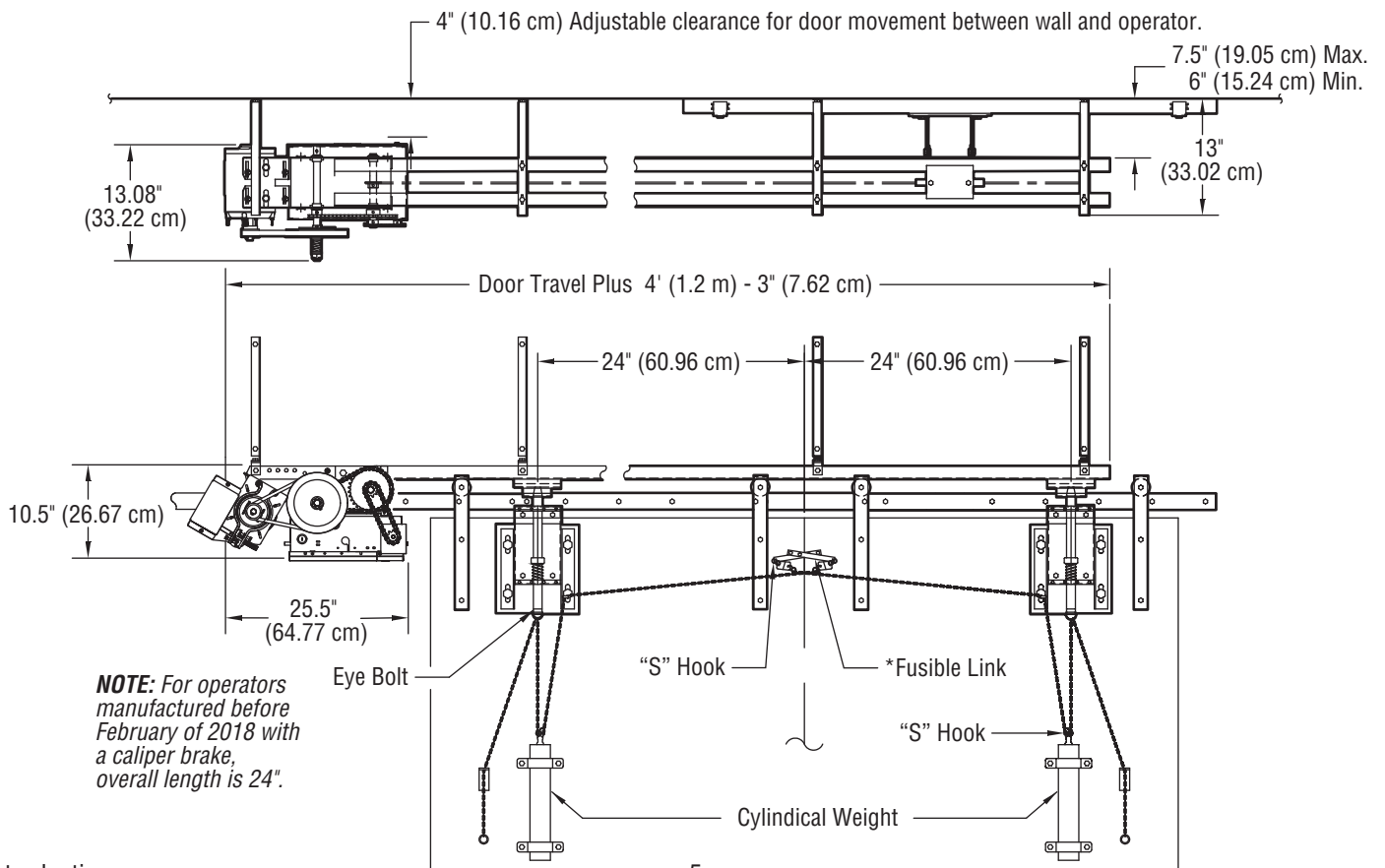
MODEL SD		
Horsepower	Maximum Door Weight (lbs.)	Maximum Door Area (sq. ft.)
1/3 HP	750	180
1/2 HP	1300	260
3/4 HP	1850	340
1 HP	2400	480

# OPERATOR DIMENSIONS

## MODEL GSD Single Slide Door Layout Example



## MODEL SD Bi-Part Slide Door Layout Example



# ASSEMBLY

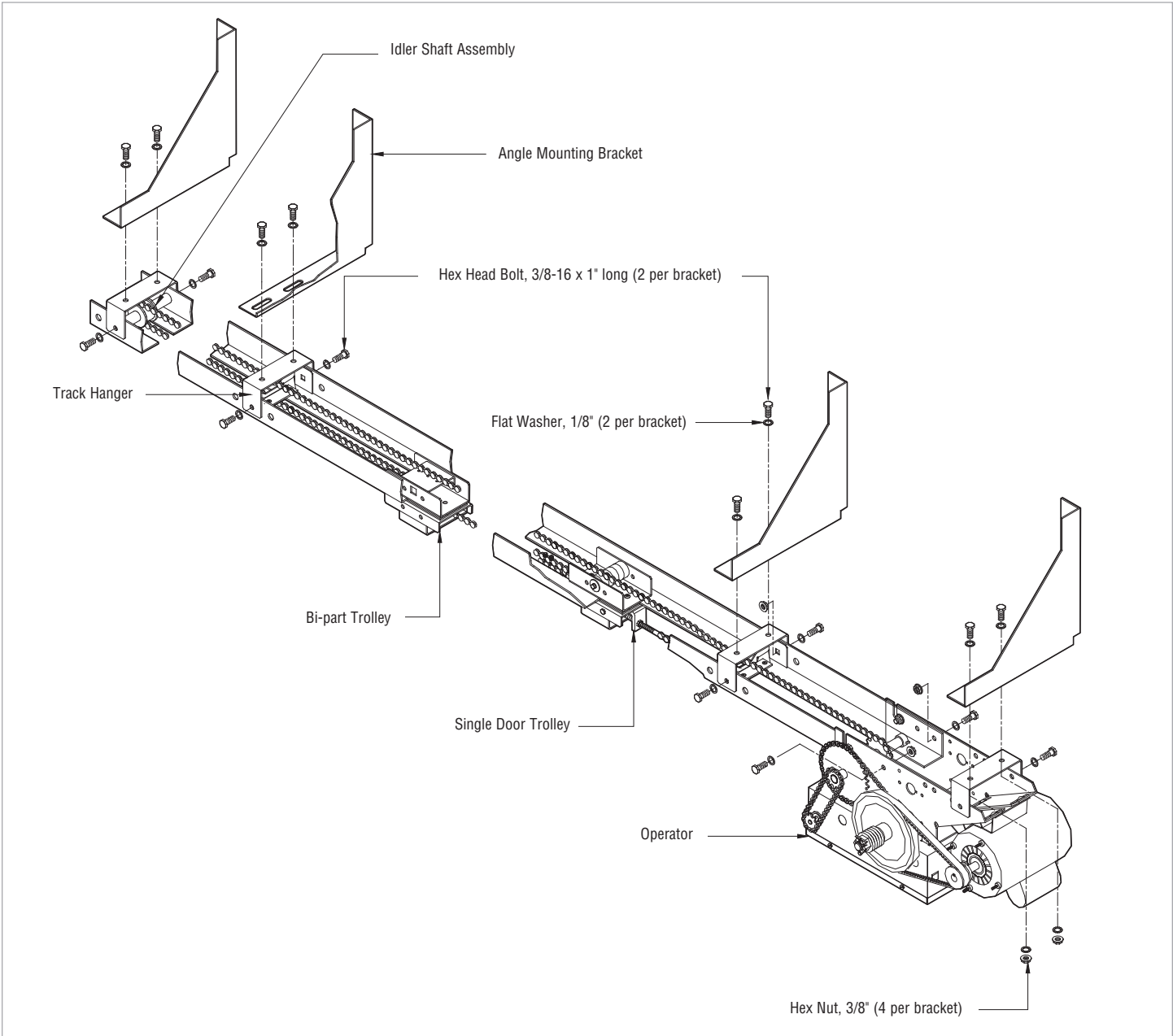
Refer to page 7 for illustrations.

- 1** Lay out the two pieces of track on the floor, parallel to each other and install the end idler shaft assembly.
- 2** Install the track hangers with 3/8" hardware. The number of track hangers will vary with the door width. The holes in the track for the track hangers are pre-punched and are generally about 5 feet (1.5 m) apart.
- 3** Install the take-up bolt on the trolley with two 3/8" hex nuts and lock washers. Slide the trolley onto the track so that the take-up bolt will be facing the operator.  
**NOTE:** For bi-parting doors, slide the bi-part trolley into the track assembly first, so the bi-part trolley is closest to the front idler.
- 4** Install one final track hanger on the back of the operator. Remove the spacer bar which comes assembled in the frame of the operator. Position the track assembly on the operator and reinstall the spacer within the rails, tightening the bolts securely. For a right-to-open single sliding door, the operator should be mounted on the right-hand end of the track with the pulleys facing out. Install two 3/8"-16 x 1" hex bolts with lock washers and nuts through the remaining two mounting holes in the operator.
- 5** Attach the chain to the take-up bolt on the trolley using the master link. Reel the chain around the drive sprocket, up to the idler shaft and then back to the hole on the front of the trolley.
- 6** Using the two 10-32 x 1-1/4" screws and hardware, attach the chain to the front end of the trolley. It may be necessary to remove some links for proper tension. Tighten the chain by adjusting the take-up bolt. A properly adjusted chain will sag about 3 inches (7.6 cm) at the midpoint of the track.  
**NOTE:** Leave the bi-part trolley free at this time.
- 7** Bolt the angle mounting brackets to the track hangers through the slots in the angle mounting brackets. Use the 3/8"-16 hex head bolts with flat washers under the heads and lock washers and nuts under the track hangers. Do not tighten as the distance from the wall to the track will have to be adjusted later.

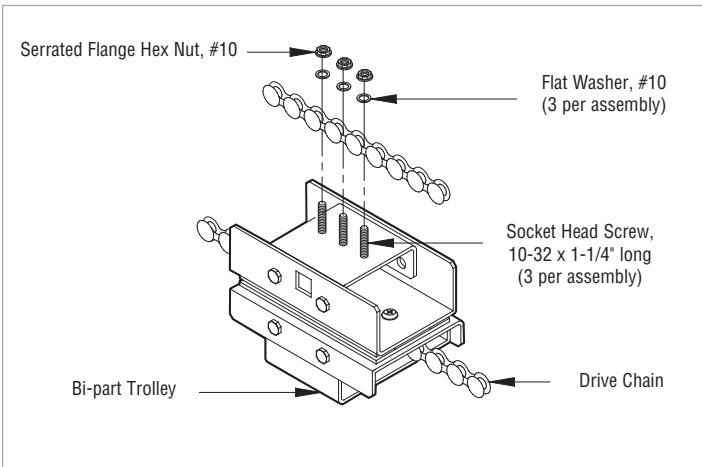
## **WARNING**

To prevent possible **SERIOUS INJURY** or **DEATH**:

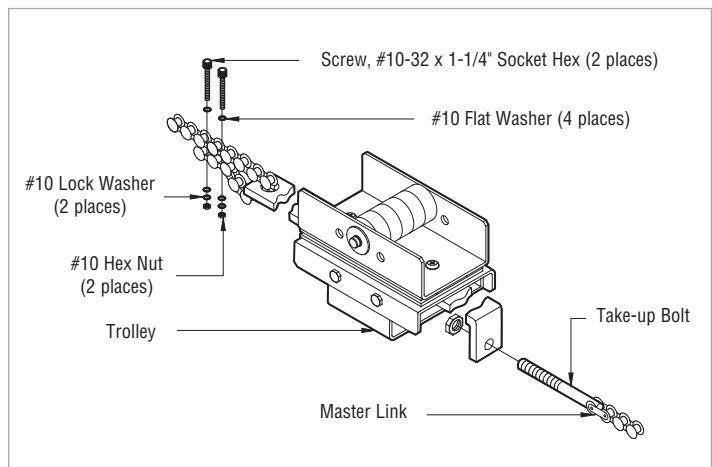
- **DO NOT** connect electric power until instructed to do so.
- If the door lock needs to remain functional, install an interlock switch.
- **ALWAYS** call a trained door systems technician if door binds, sticks or is out of balance. An unbalanced door may not reverse when required.
- **NEVER** try to loosen, move or adjust doors, door springs, cable, pulleys, brackets or their hardware, **ALL** of which are under **EXTREME** tension and can cause **SERIOUS PERSONAL INJURY**.
- Disable **ALL** locks and remove **ALL** ropes connected to door **BEFORE** installing and operating door operator to avoid entanglement.
- Fasten the operator **SECURELY** to structural supports of the building.
- Concrete anchors **MUST** be used if installing **ANY** brackets.



**BI-PART TROLLEY ASSEMBLY**



**SINGLE DOOR TROLLEY ASSEMBLY**





# INSTALLATION

## TYPICAL INSTALLATION

**NOTE:** Refer to Operator Dimensions in the introduction for general information.

**1** Determine the clearance necessary for the door to pass between the operator and the wall. This dimension must be less than 4" (10.16 cm), it may be necessary to shim the angle mounting brackets out from the wall accordingly.

**2** With the door fully closed, locate the vertical center-line of the door and mark this line on the wall above the door. Measure 18" (45.7 cm) to the left of this line if the door slides left-to-close or 18" (45.7 cm) to the right of this line if the door slides right-to-close.

**NOTE:** For bi-parting doors, omit this step. The track should extend 3-1/2 feet (1.06 m) beyond the door opening.

**3** Set the assembled operator into position and mark the holes for the angle mounting brackets on the wall, as low as possible without interfering with door travel. Drill holes in the wall for mounting. Through-bolts are recommended for this purpose. If wall construction does not permit the use of through-bolts, lag bolts and shields may be used.

**4** Secure the assembled operator to the wall.  
**IMPORTANT: BE SURE OPERATOR, TRACK AND DOOR TRACK ARE PARALLEL.**  
Check that the door clears the operator when moving. Adjust the track hangers on the angle mounting brackets to the desired position and tighten all bolts. It is recommended that at least one sway brace be used (not provided) between the wall and one of the track hangers for increased rigidity, especially on large or heavy doors.

**5** Mount the door disconnect mechanism on the center-line of the door so that the top of the bracket is no more than 1-1/2" (3.8 cm) below the trolley. This mechanism may be adjusted both front to back and up and down to align the disconnect pin. It may be necessary to shim between the mechanism and the door to bring the disconnect pin out into the center-line of the track.

**NOTE:** For bi-parting doors, mount each door disconnect mechanism centered on a line 24" (61 cm) from the door edge.

**6** Move the door so that the disconnect pin is directly aligned with the hole in the trolley and engage the disconnect pin in hole.

**NOTE:** For bi-parting doors, it is necessary to bring the doors to a fully closed position for proper synchronization. With both disconnect pins engaged in their respective trolleys, lift the drive chain over the three studs on the bi-part trolley and secure the chain with the hardware provided.

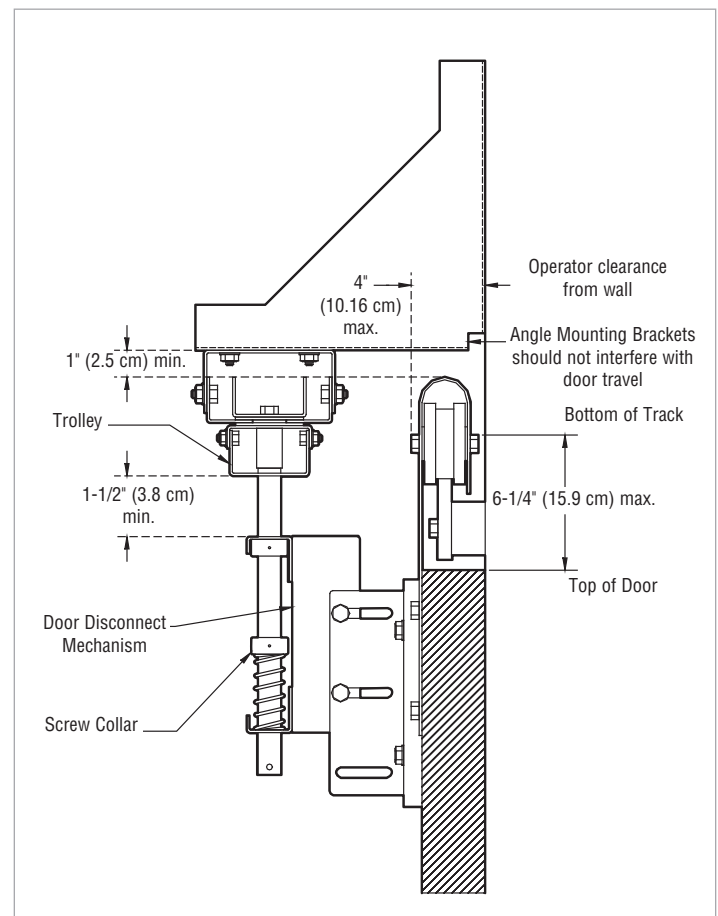
## CAUTION

To avoid possible **SERIOUS INJURY** from a falling operator:

- Fasten the operator **SECURELY** to structural supports of the building.
- Concrete anchors **MUST** be used if installing **ANY** brackets into masonry.

**7** Adjust the screw collars on the disconnect pin so that it enters into the trolley bracket about 3/4" (1.9 cm).

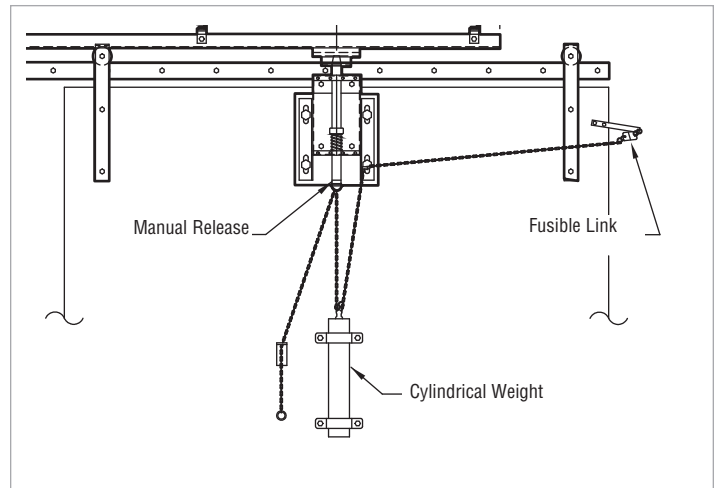
**8** Mount the chain retaining bracket (with keyhole slot) at a convenient height on the door, directly below and aligned with the disconnect chain. Mount the chain retaining bracket so that the keyhole is in the horizontal plane (repeat for bi-part door).



## FUSIBLE LINK (OPTIONAL)

**NOTE:** Refer to *Operator Dimensions* in the introduction for general information.

- 1 Mount chain retaining bracket to door, approximately 4 feet (1.2 m) above the floor and 2" (5.1 cm) off center-line of door.
- 2 Attach eye bolt to the lower slot on disconnect assembly.
- 3 Secure fusible link mounting bracket to upper leading edge of door (6 - 12" (15.2 - 30.5 cm) below top of door) so that the fusible link will be in door opening when door is open.
- 4 Thread the fusible link chain through the eye bolt, then through the eyelet in the weight mechanism, and then up through the bottom of the disconnect pin.
- 5 Raise the weight to approximately 3' (.9 m) from floor level and engage the chain in the slot of the chain retaining bracket.
- 6 Couple the chain to itself around the weight so that the chain cannot move through the eyelet in the weight.
- 7 Disengage the chain and allow the weight to hang from the fusible link.
- 8 Leave a small amount of slack between the weight and the disconnect pin and fasten a split key ring to the link on each side of the disconnect pin so that the chain cannot pass through the hole.
- 9 Cut off excess chain, leaving 6" (15.24 cm) to hang below chain retaining bracket.
- 10 Fasten large split key ring to end of chain.
- 11 Mount the weight guide to the door with weight protruding above guide 3 - 4" (7.6 - 10.2 cm).
- 12 For bi-part doors install the second fusible link assembly on the other door in the same manner. Be sure that one is lower than the other so as not to interfere with each other when the doors are fully closed.
- 13 **IMPORTANT: TEST THE FUSIBLE LINK DISCONNECT INSTALLATION AS FOLLOWS:** Manually remove the fusible link from the bracket and allow the weight to pull down on the disconnect pin. Verify that the door is disconnected and moves freely. If necessary, adjust spring on disconnect assembly by moving top shaft collar up or down.



# WIRING

## WARNING

To reduce the risk of SEVERE INJURY or DEATH:

- ANY maintenance to the operator or in the area near the operator MUST NOT be performed until disconnecting the electrical power and locking-out the power. Upon completion of maintenance the area MUST be cleared and secured, at that time the operator may be returned to service.
- Disconnect power at the fuse box BEFORE proceeding. Operator MUST be properly grounded and connected in accordance with national and local electrical codes. The operator should be on a separate fused line of adequate capacity.
- ALL electrical connections MUST be made by a qualified individual.
- DO NOT install ANY wiring or attempt to run the operator without consulting the wiring diagram.
- ALL power wiring should be on a dedicated circuit and well protected. The location of the power disconnect should be visible and clearly labeled.
- ALL power and control wiring MUST be run in separate conduit.

## POWER AND GROUND

Power and control wiring must be run in separate conduit in accordance with national and local electrical codes. Must use 14 AWG or heavier wire for power wiring. Use conduit knockouts for wiring as indicated on the electrical box labels.

- 1 Remove the operator cover.
- 2 Run power wires to electrical box according to national and local electrical codes.  
ON THREE PHASE MACHINES ONLY: Incorrect phasing of the power supply will cause the motor to rotate in the wrong direction. To change motor rotation, exchange incoming power leads L1 and L2.
- 3 Attach power and ground wires to appropriate terminals.  
**IMPORTANT NOTE:** This operator must be properly grounded. Failure to properly ground the operator could result in electric shock and serious injury.

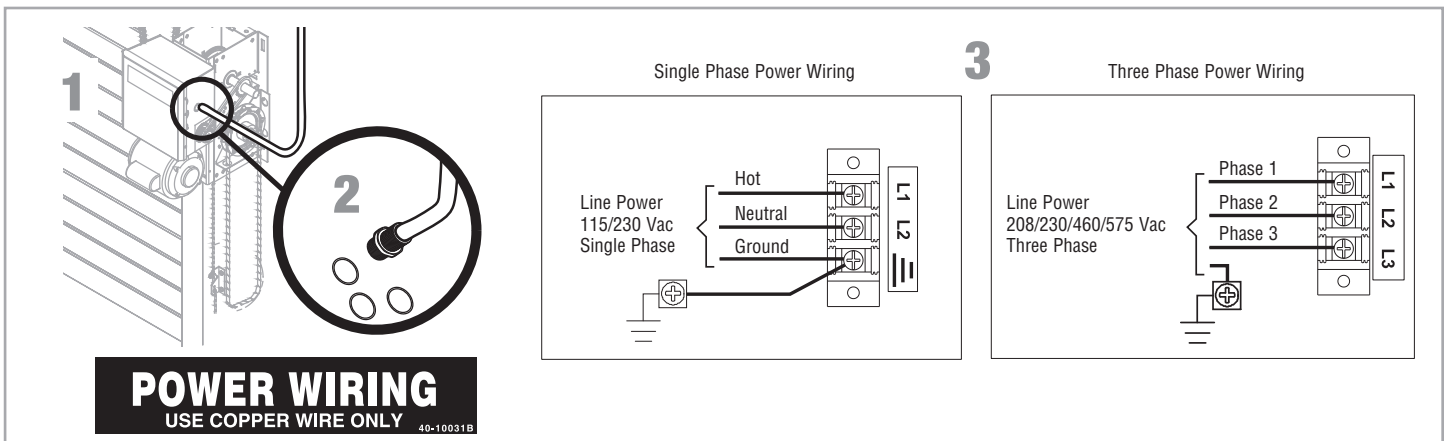
## POWER WIRING CHART

DISTANCE	GAUGE
50 feet (15.2 m)	14 AWG
100 feet (30.5 m)	12 AWG
200 feet (61 m)	8 AWG*
350 feet (106.7 m)	6 AWG*
500 feet (152.4 m)	4 AWG*
1000 feet (304.8 m)	2 AWG*

\* Maximum wire gauge that can be connected to the operator's terminal is 12 AWG. When a larger wire gauge is required, the wire must be gauged down to 12 AWG. USE COPPER WIRE ONLY.

**NOTE:** In some installations, such as a through-wall-installation, the rotation of the motor and logic board may have to be changed.

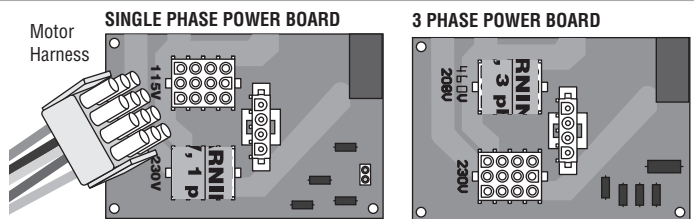
1. Locate the MOTOR DIRECTION jumper on the logic board. Remove jumper and relocate from STD to REV.
2. Relocate the sensing limit switch (SLS) to the opposite side.
3. Remove CLOSE/OPEN decal and reattach appropriately.



## VOLTAGE SELECTION

For all operators except for 575V 3 Phase operators, follow the steps below. The motor harness is connected to the power board at the factory on all 575V 3 Phase operators.

- 1 Locate motor harness inside of the electrical box.
- 2 On the POWER BOARD find the appropriate receptacle matching the incoming line voltage. Remove the voltage label and apply to the inside of the electrical box for future reference. Insert the motor harness fully until locked in place.



Fusing on the 3-Phase Power Board is not field-replaceable. An Open Fuse indicates that the 3-Phase Power Board is damaged and must be replaced. Failure to replace the complete 3-Phase Power Board may result in additional damage to the Operator.

# CONTROL STATION

## **WARNING**

To prevent possible **SERIOUS INJURY** or **DEATH** from electrocution:

- Be sure power is **NOT** connected **BEFORE** installing door control.

To prevent possible **SERIOUS INJURY** or **DEATH** from a closing door:

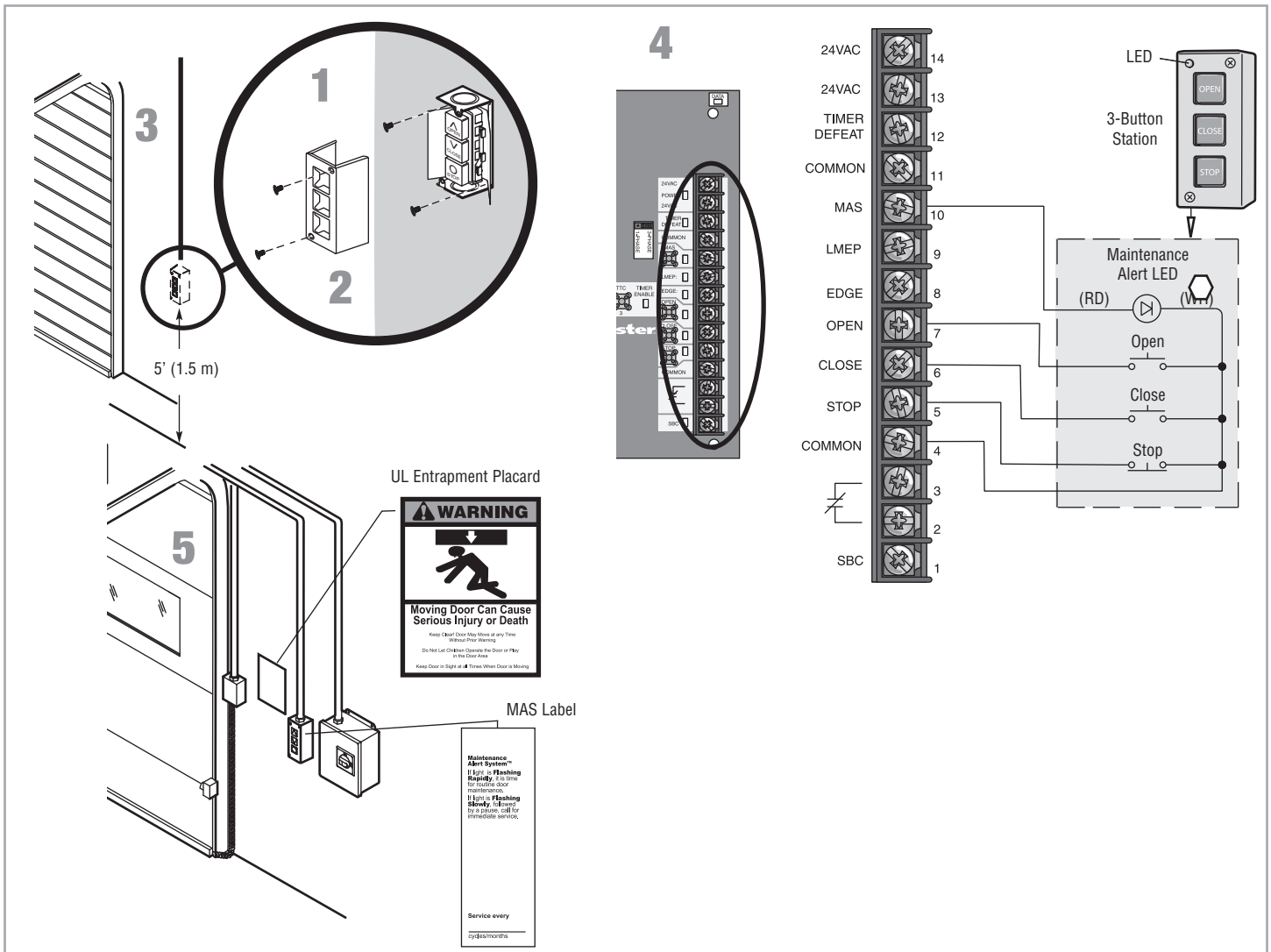
- Install door control within sight of door, out of reach of children at minimum height of 5 feet (1.5 m) above floors, landings, steps, or any other adjacent walking surface, and away from **ALL** moving parts of door.
- Install the control station far enough from the door to prevent the user from coming in contact with the door while operating the controls.

- Install the entrapment warning placard on wall next to the control station in a prominent location that is visible from the door.
- **NEVER** permit children to operate or play with door control push buttons or remote controls.
- Activate door **ONLY** when it can be seen clearly, is properly adjusted and there are no obstructions to door travel.
- **ALWAYS** keep door in sight until completely closed. **NEVER** permit anyone to cross path of closing door.

**NOTE:** The low voltage control circuit wiring requires insulated, 20 AWG or greater wire. Refer to back page for additional control wiring.

- 1 Remove the control station cover.
- 2 Fasten the control station to the wall at least 5 feet above floors, landings, steps, or any other adjacent walking surface. **The installation surface must be smooth and flat.** Attach the MAS label to the side of the control station.

- 3 Select appropriate knockout and run the wires to the operator.
- 4 Connect wires to the control station and replace the control station cover.
- 5 Fasten the entrapment warning placard next to the control station.



# ENTRAPMENT PROTECTION

## LIFTMASTER MONITORED ENTRAPMENT PROTECTION (LMEP)

### IMPORTANT INFORMATION ABOUT THE LIFTMASTER MONITORED ENTRAPMENT PROTECTION DEVICES

A LiftMaster Monitored Entrapment Protection (LMEP) Device is required for most wiring types (refer to page 19). Additional entrapment Devices are available for purchase (see accessories). If a LiftMaster Monitored Entrapment Protection Device is not installed, constant pressure to close will be required from the control station.

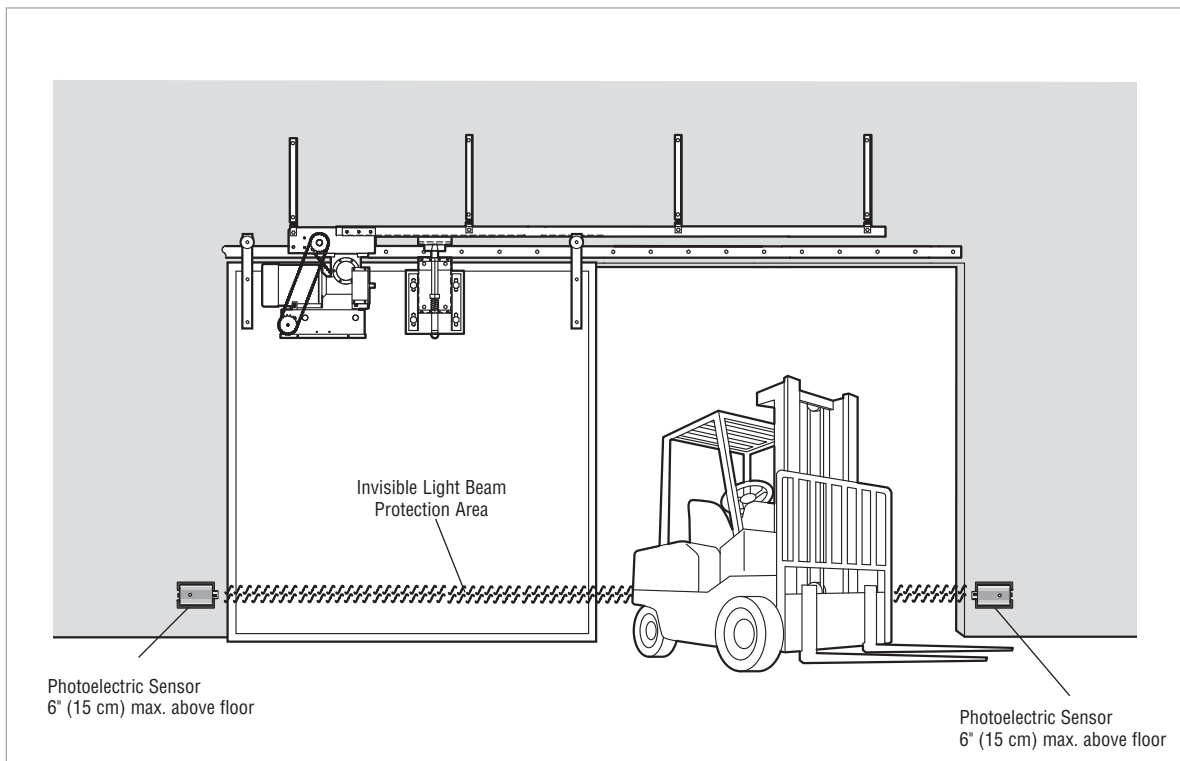
## **WARNING**

To prevent possible **SERIOUS INJURY** or **DEATH** from a closing door:

- Be sure power is **NOT** connected to the door operator **BEFORE** installing the photoelectric sensor.
- The door **MUST** be in the fully opened or closed position **BEFORE** installing the LiftMaster Monitored Entrapment Protection Device.

To prevent **SERIOUS INJURY**, **DEATH**, **ENTRAPMENT**, or **PROPERTY DAMAGE**:

- Correctly connect and align the photoelectric sensor.
- Install the photoelectric sensor beam **NO HIGHER** than 6" (15 cm) above the floor.
- This is a required LMEP Device for B2, TS, T, and FSTS wiring types and **MUST NOT** be disabled. For D1, C2, and E2 wiring the installation of an entrapment protection device is recommended.
- LiftMaster Monitored Entrapment Protection Devices are for use with LiftMaster Commercial Door Operators **ONLY**. Use with **ANY** other product voids the warranty.
- If an edge sensor is being used on a horizontal slide door, then place one or more edge sensors on both the leading and trailing edge.
- If an edge sensor is being used on a vertically moving door, then place edge sensors on the bottom edge of the door.



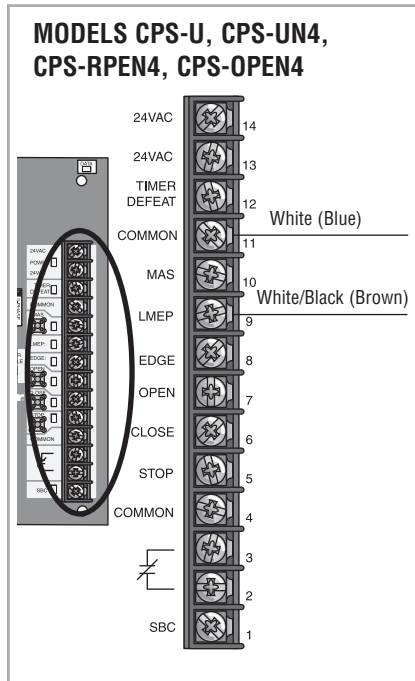
# INSTALL THE LIFTMASTER MONITORED ENTRAPMENT PROTECTION (LMEP) DEVICES (OPTIONAL)

Always refer to the installation instructions that are included with your LiftMaster Entrapment Protection (LMEP) Devices. Without an LMEP properly installed, the operator will only work with constant pressure to close mode of operation.

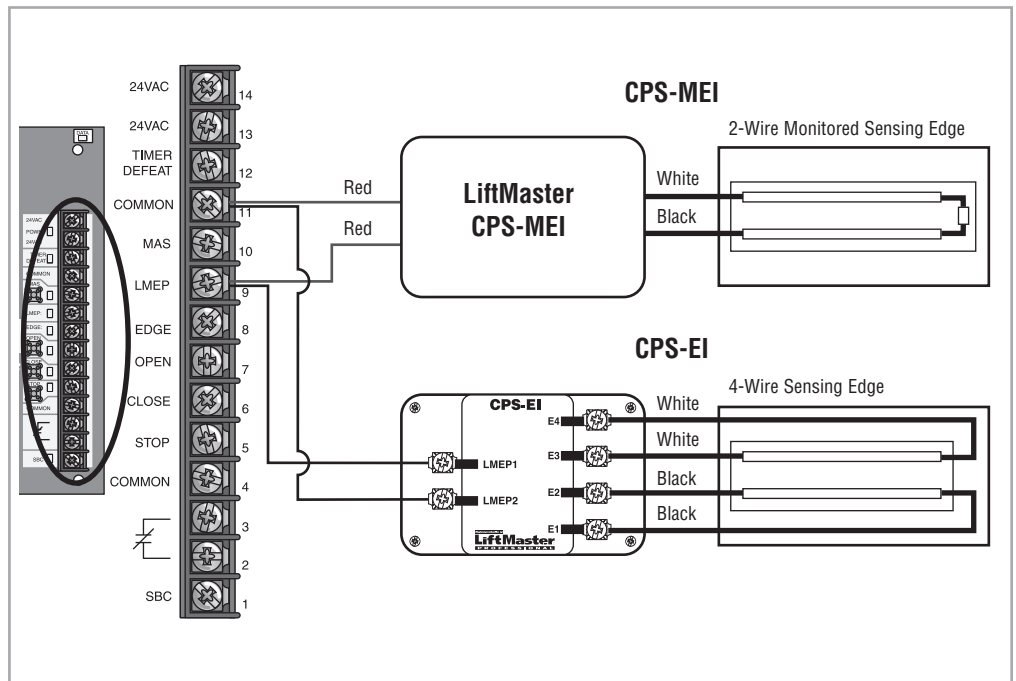
## WIRE THE LIFTMASTER MONITORED ENTRAPMENT PROTECTION (LMEP) DEVICES

- 1 Connect the LiftMaster Monitored Entrapment Protection (LMEP) Device to the logic board according to the models shown below:

### MONITORED PHOTOELECTRIC SENSOR



### MONITORED EDGE SENSOR



**NOTE:** Only one LMEP Device can be connected to the logic board. To attach additional LMEP's, the CPS3CARD option card is required. Secondary (non-monitored) entrapment protection devices (with N.O. dry contact) will be wired to the EDGE and COMMON terminals.

# ADJUSTMENT

## IMPORTANT SAFETY INSTRUCTIONS

### WARNING

### TO REDUCE THE RISK OF SEVERE INJURY OR DEATH:

1. READ AND FOLLOW ALL WARNINGS AND INSTRUCTIONS.
2. ALWAYS keep remote controls out of reach of children. NEVER permit children to operate or play with door control push buttons or remote controls.
3. ONLY activate door when it can be seen clearly, it is properly adjusted and there are no obstructions to door travel.
4. Personnel should keep away from a door in motion and ALWAYS keep door in sight until completely closed. NO ONE SHOULD CROSS THE PATH OF THE MOVING DOOR.
5. NO ONE SHOULD GO UNDER A STOPPED, PARTIALLY OPENED DOOR.
6. If possible, use manual release handle to disengage door ONLY when door is CLOSED. Weak or broken springs or unbalanced door could result in an open door falling rapidly and/or unexpectedly causing SEVERE INJURY or DEATH.
7. NEVER use manual release handle unless doorway is clear of persons and obstructions.
8. After ANY adjustments are made, the entrapment protection device MUST be tested. Failure to adjust the operator properly may cause SEVERE INJURY and DEATH.
9. Entrapment protection device MUST be tested every month. Failure to adjust the operator properly may cause SEVERE INJURY and DEATH.
10. ALWAYS KEEP DOOR PROPERLY BALANCED. An improperly balanced door may not reverse when required and could result in SEVERE INJURY or DEATH. See door manufacturer's owners manual.
11. ALL repairs to cables, spring assemblies and other hardware, ALL of which are under EXTREME tension, MUST be made by a trained door systems technician.
12. ALWAYS disconnect electric power to door operator BEFORE making ANY repairs or removing covers.
13. **SAVE THESE INSTRUCTIONS.**

### LIMIT ADJUSTMENT

- 1 Begin with the door in the fully closed position to set the CLOSE limit.
- 2 Depress the retaining plate (1) and move the limit nut to the CLOSE limits (2).

**NOTE:** The Close Limit Switch (CLS) and Sensing Limit Switch (SLS) LEDs on the logic board will illuminate when the switches are activated and the power is on.

- 3 When the retaining plate is released, verify that the retaining plate is fully seated with the notches of the limit nuts.
- 4 Open the door to the fully open position and set the OPEN limit (3).

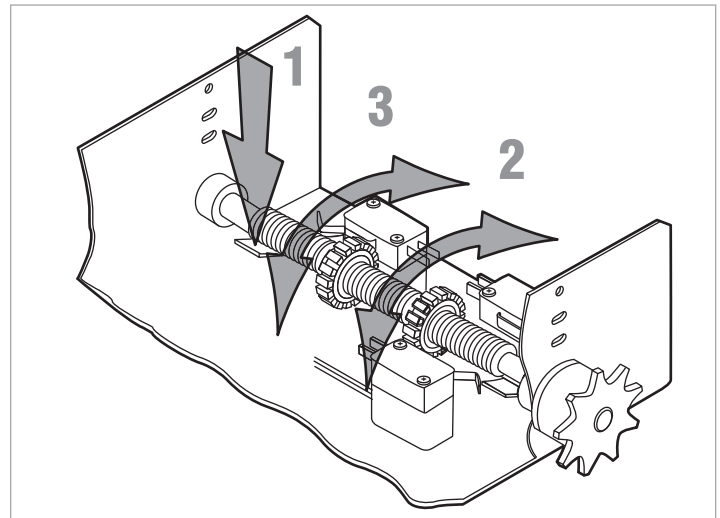
**NOTE:** The Open Limit Switch (OLS) LED on the logic board will illuminate when the switches are activated and the power is on.

- 5 When the retaining plate is released, verify that the retaining plate is fully seated with the notches of the limit nuts.

### WARNING

To avoid SERIOUS personal INJURY or DEATH from electrocution:

- Disconnect electric power BEFORE performing ANY adjustments or maintenance.





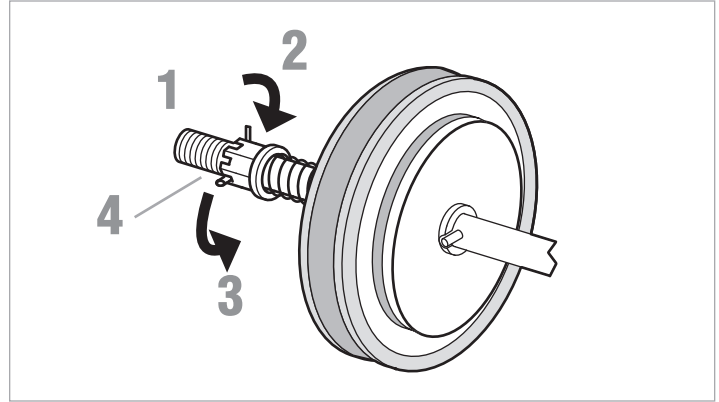
## CLUTCH ADJUSTMENT (MODEL SD)

- 1 Remove the cotter pin from the clutch nut on the clutch shaft.
- 2 Turn the clutch nut to release tension.
- 3 Re-tighten the clutch nut until there is just enough tension to permit smooth operation of the door and to allow the clutch to slip if the door is obstructed.
- 4 Secure the clutch nut with the cotter pin.

## ⚠️ ⚡ WARNING

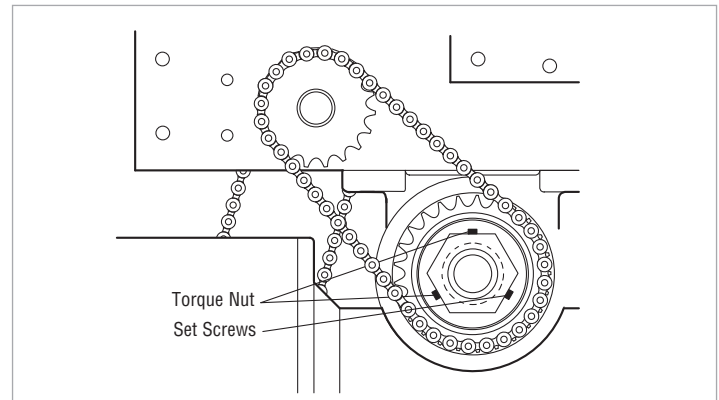
To avoid SERIOUS personal INJURY or DEATH from electrocution:

- Disconnect electric power BEFORE performing ANY adjustments or maintenance.



## TORQUE LIMITER ADJUSTMENT (MODEL GSD)

- 1 Loosen set screws of torque adjustment nut on the gear reducer.
- 2 Back off torque nut until there is very little tension on the belleville washers.
- 3 Tighten torque nut gradually until there is just enough tension to permit the operator to move the door smoothly through a complete open/close cycle, but to allow the reducer to slip if the door is obstructed.
- 4 Re-tighten the set screw that is directly over the flat portion of the shaft.



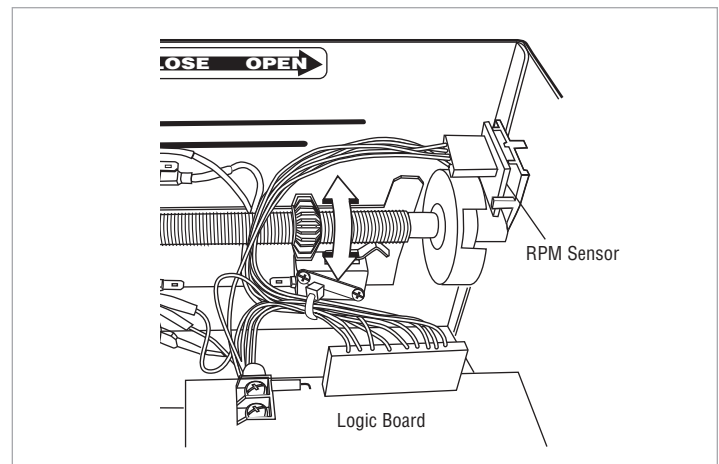
## AUXILIARY REVERSAL SYSTEM / RPM SENSOR

The **Auxiliary Reversal System** is designed to protect the door and motorized operator. It is NOT a substitute for an entrapment protection device.

**Feature:** This feature utilizes the RPM sensor connected to the logic board to detect when the clutch slips and reverses the door (clutch must be properly adjusted). In addition, the RPM eliminates the need for a centrifugal switch on single phase motors.

**Benefit:** The Auxiliary Reversal System reverses the operator upon hitting an obstruction, preventing excessive door and operator damage. UL325 requires the use of monitored entrapment protection devices for primary entrapment protection. By removing the centrifugal switch on single phase motors, the leading cause of motor failures is eliminated. (Auxiliary Reversal System not applicable on model GSD.)

**NOTE:** This feature is automatically learned and does not require programming.





# TESTING

Apply power to the operator.

When power is applied to the operator, the following LED's will illuminate: STOP, CLOSE, OPEN, LMEP, 24Vac, RADIO, DATA, TIMER ENABLE, OLS MID, SLS, CLS, and MAS. Once the power up process is completed (approximately 2-3 seconds) only the appropriate LED's will continue to be lit:

- Between limits: 24Vac and STOP
- Fully closed position: 24Vac, STOP, CLS and SLS
- Fully opened position: 24Vac, STOP and OLS

Additional LED's will light when device(s) are activated.

**NOTE:** When the power up process is over, the MAS LED will blink a code indicating the version of firmware. If the selector dial is in the DIAG, OPTN, or PROG position, the MAS will not provide this code. After the code has been provided the MAS LED will go out.

## TEST PHOTOELECTRIC SENSORS (IF APPLICABLE)

1. Open the door.
2. Place an obstruction in the path of the photoelectric sensors. The LMEP LED will blink on the logic board.
3. Press and hold the CLOSE button. The door should not close.
4. Remove the obstruction.
5. Press and hold the CLOSE button. Door should close. If the LMEP is activated while closing the door should reverse.

## TEST EDGE SENSORS (IF APPLICABLE)

1. Open door.
2. Place an obstruction in the path of the door.
3. Press and hold the CLOSE button. The door should stop and/or reverse.
4. Remove obstruction and hold the CLOSE button. Door should fully close.

**NOTE:** The Logic 5.0 control board will automatically learn the LMEP Device once it is properly connected. If the LMEP Device is misaligned, activated, or disconnected the LMEP LED on the logic control board will blink on and off. You can close the door by entering the Restricted Close (RC) mode by holding the close button. The operator will begin closing after 5 seconds and will continue to close to the Close Limit or when the close button is released.

To unlearn the LMEP Device, turn the selector dial to DIAG, push and hold the stop button until the MAS LED flashes. Without the LMEP Device connected the only mode of operation will be B2, D1 or E2.

## **WARNING**

To avoid SERIOUS personal INJURY or DEATH:

- Disconnect electric power BEFORE performing ANY adjustments or maintenance.
- ALL maintenance MUST be performed by a trained door systems technician.

## TEST 3-BUTTON CONTROL STATION

1. Press OPEN button. (The door should move in the open direction.)
2. Press STOP button. (The door should stop.)
3. Press and hold the CLOSE button. (The door should move in the close direction.)
4. Release CLOSE button. Door should stop if in C2 or D1 mode. Door will reverse to full open position in E2 mode. The door should continue closing in all other modes.
5. Press STOP button. (The door should stop.)

## TEST LIMIT ADJUSTMENT

1. Press OPEN button. (The door should open.)
2. Allow the door to fully open.
3. Press and hold the CLOSE button. (The door should close.)
4. Allow the door to fully close.
5. If the limits are not set properly, remove power and adjust limits (refer to Limit Adjustment section).

## IMPORTANT NOTES:

- Be sure you have read and understand all safety instructions included in this manual.
- Be sure the owner or person(s) responsible for operation of the door have read and understand the safety instructions, know how to electrically operate the door in a safe manner and how to manually disconnect the door from the operator.

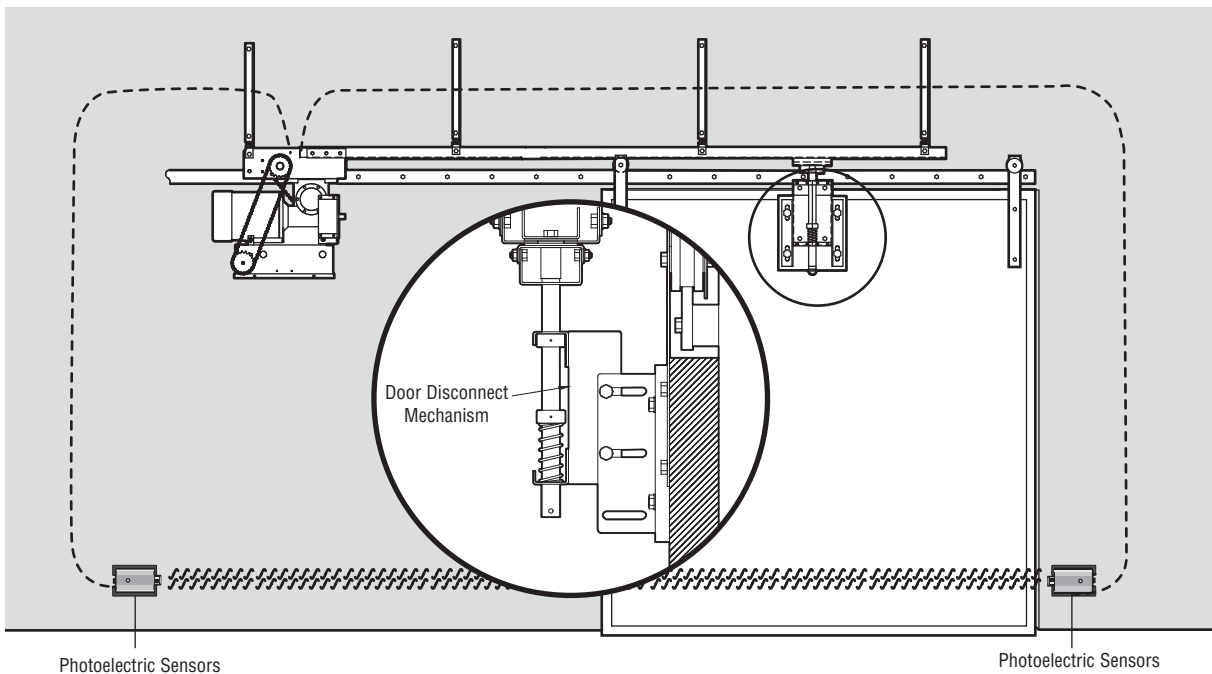
# MANUAL RELEASE

The door cannot be moved manually with the trolley connected. However, a quick disconnect pin and chain mechanism is provided to uncouple the door from the trolley. To disengage the door, simply pull the chain down and engage it in the keyhole slot on the bracket provided for this purpose. With the mechanism disconnected, the door can be manually opened or closed.

## **⚠ WARNING**

To prevent possible **SERIOUS INJURY** or **DEATH** from a falling door or arm:

- **DO NOT** stand under the door arm when pulling the emergency release.
- If possible, use emergency release handle to disengage trolley **ONLY** when door is **CLOSED**. Weak or broken springs or unbalanced door could result in an open door falling rapidly and/or unexpectedly.
- **NEVER** use emergency release handle unless doorway is clear of persons and obstructions.



# PROGRAMMING

## INTRODUCTION TO PROGRAMMING

Many programmable functions require that a LiftMaster Entrapment Protection (LMEP) Device be installed in order to function. Refer to the Entrapment Protection section.

Before programming the logic board, set the operator's open and close limits. The LEDs on the logic board are provided to assist setting the limits. Refer to page 14 for limit switch adjustment instructions.

Apply power to the operator.

When power is applied to the operator, all the LEDs will illuminate with the exception of SBC, relay A, relay B, and the Timer Defeat.

Once the power up process is completed (approximately 2-3 seconds) only the appropriate LED's will continue to be lit:

Between limits: 24Vac and STOP

Fully closed position: 24Vac, STOP, CLS and SLS

Fully opened position: 24Vac, STOP and OLS

Additional LED's will light when device(s) are activated.

**NOTE:** When the power up process is completed, the MAS LED will blink a code indicating the version of firmware. If the selector dial is in the DIAG, OPTN, or PROG position, the MAS will not provide this code. After the code has been provided the MAS LED will go out.

## LOGIC BOARD PUSH BUTTONS (OPEN, CLOSE, STOP)

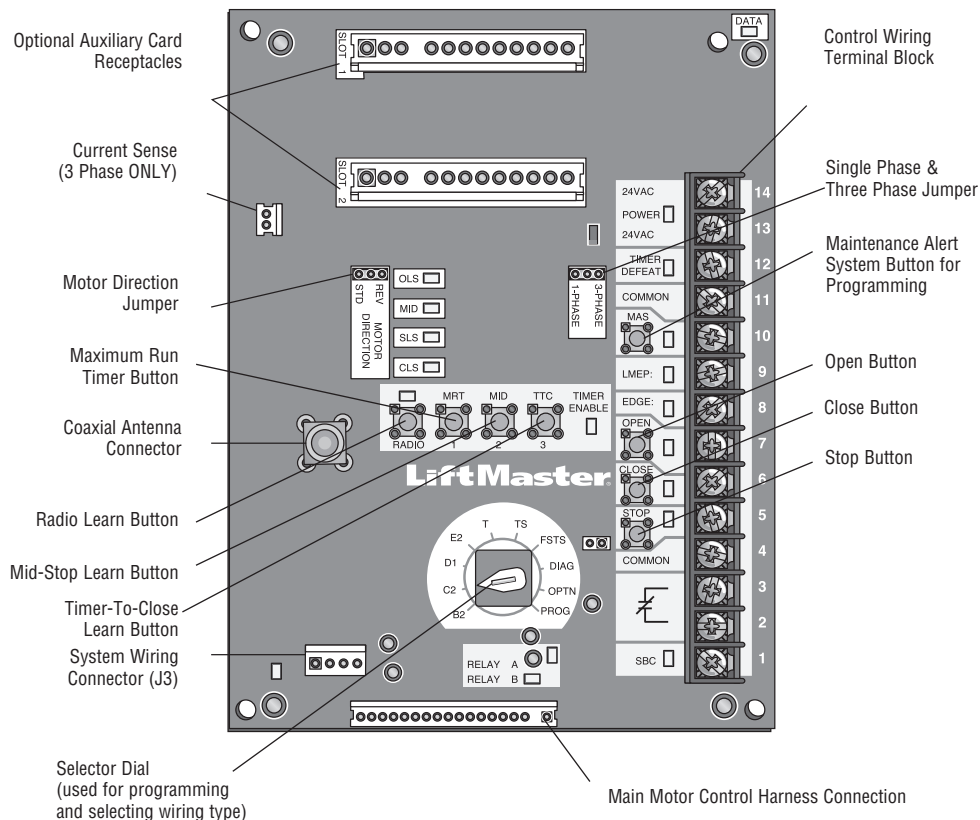
Open, Close and Stop buttons are mounted directly on the logic board. Thus, making it easy to program as well as have door control at the electrical box.

**Either the stop control or a jumper must be wired between terminals 4 and 5 for the on board push buttons to function.**

## CURRENT SENSING TECHNOLOGY

LOGIC 5.0 3-Phase Operators now include Current Sensing Technology. The Current Sense Harness is required for operating LiftMaster Commercial Door Operators that offer this feature. The Current Sense Feature measures overcurrent and limits operation under high-current conditions and sends a Diagnostic Error Code of 12 LED blinks. See Troubleshooting Error Codes section for more information.

## LOGIC BOARD OVERVIEW



## DETERMINE AND SET WIRING TYPE

Read the descriptions of the different wiring types to determine which setting will be correct for each application. Once the wiring type is determined, set the selector dial accordingly.

### LIFTMASTER MONITORED ENTRAPMENT PROTECTION (LMEP) DEVICE IS REQUIRED

A LiftMaster Entrapment Protection (LMEP) Device is **required** for the following wiring types.

**B2** Momentary contact to open, close and stop, plus wiring for sensing device to reverse and auxiliary devices to open and close with open override. Programmable mid stop available with this wiring type. **Compatible with 3-Button Station, 1-Button Station, 1 and 3-Button Remote Control.**

#### TS (TIMER SECURE)

This mode will attempt to close the door from any position except when fully closed, or when a safety input is present. The stop button will not disable the Timer-To-Close at any position. To disable the Timer-To-Close in this mode, installation of a defeat switch is required (see wiring diagram).

Momentary contact to open, close, and stop with open override and Timer-To-Close. Every device that causes door to open, including a reversing device, activates the Timer-To-Close. Auxiliary controls can be connected to open input to activate the Timer-To-Close. If the timer has been activated, the open button and radio control can recycle the timer. The Timer-To-Close will function from the programmable mid stop with this wiring type. **Compatible with 3-Button Station, 1-Button Station and 1 and 3-Button Remote Control.**

**NOTE:** A Programmable "Car Dealer Mode" available.

**T** Momentary contact to open, close, and stop, with open override and Timer-To-Close. Every device that causes the door to open, except any sensing edge input device, activates the Timer-To-Close. Auxiliary controls can be connected to open input to activate the Timer-To-Close. If the Timer-To-Close has been activated, the open button and radio control can recycle the timer. The stop button will deactivate the timer until the next command input. The Timer-To-Close will function from the programmable mid stop with this wiring type. **Compatible with 3-Button Station, 1-Button Station and 1 and 3-Button Remote Control.**

**NOTE:** Programmable "Car Dealer Mode" available.

**FSTS** Momentary button contact for open, close and stop programming. User set mid stop. User set Timer-To-Close. The single button station opens the door to the full open limit bypassing the mid stop and activates the Timer-To-Close, putting the operator in TS mode until the door reaches the down limit, or is stopped in travel. At which time the operator enters the B2 mode.

**Compatible with 3-Button Station, 1-Button Station, 1 and 3-Button Remote Control.** A 1-Button remote control in FSTS mode will open only with the Timer-To-Close, bypassing a programmed mid stop. The Timer-To-Close will reset and reverse when closing.

### LIFTMASTER MONITORED ENTRAPMENT PROTECTION (LMEP) DEVICE IS RECOMMENDED

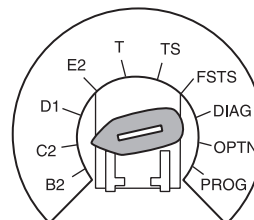
A LiftMaster Entrapment Protection (LMEP) Device is recommended for the following wiring types.

**C2** Momentary contact to open and stop with constant pressure to close, open override plus wiring for sensing device to reverse. Programmable mid stop available with this wiring type. **Compatible with 3-Button Station and 1-Button Station.**

**E2** Momentary contact to open with override and constant pressure to close. Release of close button will cause door to reverse (roll-back feature) plus wiring for sensing device to reverse. **Compatible with 3-Button Station.**

**D1** Constant pressure to open and close with wiring for sensing device to stop. **Compatible with 2 or 3-Button Station.**

#### SELECTOR DIAL



#### IMPORTANT NOTES:

1. External interlocks may be used with all functional modes.
2. Auxiliary devices are any devices that have only dry contacts. Examples: loop detector, pneumatic or electrical treadles, radio controls, one button stations, pull cords, etc.
3. Open override means that the door may be reversed while closing by activating an opening device without the need to use the stop button first.
4. When the door is in a stopped position other than fully closed, and an LMEP or EDGE input is activated, the Restricted Close (RC) feature will allow a close command when the close button is pressed and held. The operator will begin closing after 5 seconds. If the close button is released the door will stop. When in E2 mode, the door will move to the fully open position.

## PROGRAMMING REMOTE CONTROLS

### WARNING

To prevent possible SEVERE INJURY or DEATH:

- Install a LiftMaster Monitored Entrapment Protection (LMEP) Device.
- NEVER permit children to operate or play with door control push buttons or remote controls.

- Activate door ONLY when it can be seen clearly, is properly adjusted and there are no obstructions to door travel.
- ALWAYS keep door in sight until completely closed. NEVER permit anyone to cross the path of closing door.

Built in 3-channel, Security+ 2.0® radio receiver that allows you to add up to 90 remote control devices.

**NOTE:** The following programming requires a LiftMaster Monitored Entrapment Protection (LMEP) Device.

### STANDARD REMOTE CONTROL

1. To enter programming press and release the RADIO button on the logic board (RADIO LED will light).
2. Press and hold the remote control button until the RADIO LED flashes rapidly, then release remote control button. The RADIO LED will then remain on solid after releasing the button. Repeat to add additional remote control(s).
3. Press and release the RADIO button to complete the programming. The RADIO programming mode will exit if no activity is performed within 30 seconds. The MAS and RADIO LED's will flash briefly to indicate the RADIO has exited the programming mode for remote controls and keyless entry devices. The RADIO will remain in program mode for another 150 seconds for myQ devices and then will completely exit with no activity.

### SINGLE BUTTON REMOTE CONTROL PROGRAMMED AS A SINGLE BUTTON CONTROL (SBC)

This function programs a remote control as a wireless single button control. This function will work in the following modes:

In B2 mode, operation is OPEN/STOP/CLOSE/REVERSE/STOP.

In T and TS modes, operation is OPEN/STOP/CLOSE/REVERSE/STOP and Timer-To-Close start/refresh. **NOTE:** If Car Dealer mode is enabled, SBC will be open only stopping at the Open Mid-Stop.

In FSTS mode, operation is OPEN with Timer-To-Close start/refresh only, bypassing a programmed Open Mid Stop.

1. Press and release the RADIO button on the logic board (RADIO LED will light).
2. Press and release the SBC externally wired button or TTC on the logic board (RADIO LED flashes rapidly and then remains on solid).
3. Press and hold the remote control button until the RADIO LED flashes rapidly. The RADIO LED will then remain on solid after releasing.
4. Press and release the RADIO button on the logic board (RADIO LED flashes rapidly and then turns off). The programming mode is exited if no activity is performed within 30 seconds. The MAS and RADIO LED's will flash briefly to indicate the RADIO has exited the programming mode for remote controls and keyless entry devices. The RADIO will remain in program mode for another 150 seconds for myQ devices and then will completely exit with no activity.

**NOTE:** Single button remote control is not supported with D1 and E2 wiring modes. C2 mode will only open and stop while opening.

### ERASING REMOTE CONTROLS

Press and hold the RADIO button on the logic board until the RADIO LED flashes rapidly (approximately 5 seconds). All remote controls will be erased.

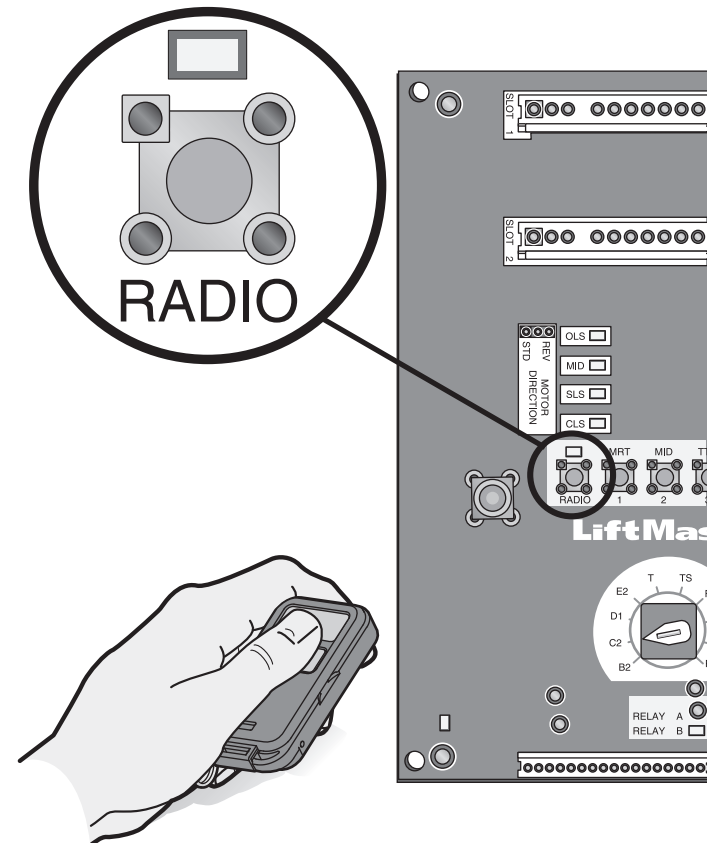
**NOTICE:** This device complies with part 15 of the FCC rules and Innovation, Science and Economic Development Canada license-exempt RSSs. Operation is subject to the following two conditions: (1) this device may not cause harmful interference, and (2) this device must accept any interference received, including interference that may cause undesired operation.

Any changes or modifications not expressly approved by the party responsible for compliance could void the user's authority to operate the equipment.

This device must be installed to ensure a minimum 20 cm (8 in.) distance is maintained between users/bystanders and device.

This device has been tested and found to comply with the limits for a Class B digital device, pursuant to part 15 of the FCC rules and Industry Canada ICES standard. These limits are designed to provide reasonable protection against harmful interference in a residential installation. This equipment generates, uses and can radiate radio frequency energy and, if not installed and used in accordance with the instructions, may cause harmful interference to radio communications. However, there is no guarantee that interference will not occur in a particular installation. If this equipment does cause harmful interference to radio or television reception, which can be determined by turning the equipment off and on, the user is encouraged to try to correct the interference by one or more of the following measures:

- Reorient or relocate the receiving antenna.
- Increase the separation between the equipment and receiver.
- Connect the equipment into an outlet on a circuit different from that to which the receiver is connected.
- Consult the dealer or an experienced radio/TV technician for help.



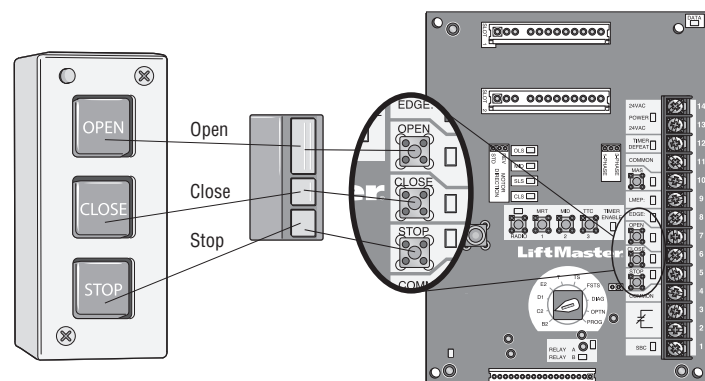


## PROGRAMMING REMOTE CONTROLS

**NOTE:** The following programming requires a LiftMaster Monitored Entrapment Protection (LMEP) Device.

Your Security+ 2.0® or dip switch remote control can be programmed to operate as a 3-button wireless control station: the large button will open the door, the middle button will close the door, and the third button will stop the door's movement. You may set up this feature as follows:

1. To enter programming press and release the RADIO button on the logic board (the RADIO LED will light).
2. To program the OPEN button to a remote control press and release the OPEN button on the logic board. The RADIO LED will flash and then stay on solid. Then press the corresponding button on the remote control. The RADIO LED on the logic board will flash, this confirms that the remote control has been programmed. (By programming the remote control you use 1 channel of the 90 channels on the radio receiver.)
3. To program the CLOSE button to a remote control press and release the CLOSE button on the logic board. The RADIO LED will flash and then stay on solid. Then press the corresponding button on the remote control. The RADIO LED on the logic board will flash, this confirms that the remote control has been programmed. (By programming the remote control you use 1 channel of the 90 channels on the radio receiver.)
4. To program the STOP button to a remote control press and release the STOP button on the logic board. The RADIO LED will flash and then stay on solid. Then press the corresponding button on the remote control. The RADIO LED on the logic board will flash, this confirms that the remote control has been programmed. (By programming the remote control you use 1 channel of the 90 channels on the radio receiver.)
5. After learning remote controls press the RADIO button on the logic board (RADIO LED will turn off). **NOTE:** If no activity within 30 seconds, the MAS and RADIO LED's will flash briefly to indicate the RADIO has exited the programming mode for remote controls and keyless entry devices. The RADIO will remain in program mode for another 150 seconds for myQ devices and then will completely exit with no activity.



## REMOTE CONTROL PROGRAMMING FEATURE

### Program Remote Controls from the 3-button control station (3BCS).

This feature allows the user to add additional remote controls from the 3BCS. By default the remote control learn option is off.

**NOTE:** Requires access to the operator electrical box to enable or disable this feature.

#### To turn this feature on:

1. Turn the selector dial to PROG.
2. Press and release the RADIO button. The RADIO LED will be lit.
3. Press and release the MID button. The RADIO LED will flash quickly 6 times.
4. Press and release the RADIO button. The RADIO LED will turn off.
5. Return the selector dial to the desired wiring type.

#### To add remote controls from the 3BCS:

1. With the door in the fully closed position (close limit activated), press and hold STOP.
2. While holding STOP, press and hold CLOSE.
3. While holding STOP and CLOSE, press and hold OPEN.
4. Release all three buttons once the MAS LED has lit.
5. Learn a remote control by one of the following methods:
  - a. Programming a **standard single button/single function remote control**, push and hold the remote control button until the MAS LED goes out. Repeat steps 1 through 4 to add additional remote controls.
  - b. Programming a **3-button/three function remote control** (OPEN/CLOSE/STOP), first push the button on the 3BCS (Example: OPEN) and then press and hold the button on the remote control (Example: large button) that you want to correspond with the selected (Example: OPEN) command until the MAS LED flashes and goes out. Repeat steps 1 through 4 to add additional buttons (CLOSE AND STOP).

#### To turn this feature off:

1. Turn the selector dial to PROG.
2. Press and release the RADIO button. The RADIO LED will be lit.
3. Press and release the MRT button. The RADIO LED will flash quickly 3 times.
4. Press and release RADIO button. The RADIO LED will turn off.
5. Return selector dial to desired wiring type.

**NOTE:** Restoring the operator to Factory Default (see **RESETTING FACTORY DEFAULTS**) will also disable this feature. The remote controls will still be learned.

## ⚠ WARNING

To prevent possible SEVERE INJURY or DEATH:

- Install a LiftMaster Monitored Entrapment Protection (LMEP) Device.
- NEVER permit children to operate or play with door control push buttons or remote controls.

- Activate door ONLY when it can be seen clearly, is properly adjusted and there are no obstructions to door travel.
- ALWAYS keep door in sight until completely closed. NEVER permit anyone to cross the path of closing door.

## myQ® SMART FACILITY ACCESS

LiftMaster offers a connected experience for all sizes of businesses and their access needs.

myQ technology uses a 900Mhz signal to communicate securely from your connected devices to myQ enabled accessories or to a Wi-Fi network. A LiftMaster Internet Gateway model 828LM or a LiftMaster myQ® Home Bridge model 819LMB is required for Wi-Fi internet connectivity. (see Accessories page 35).

### myQ APP

Download the myQ app and follow the on-screen prompts to connect your commercial products. The myQ app enables secure monitoring and control of Logic 5.0 operators and other myQ enabled accessories with a mobile device.



- Receive alerts about the status of a commercial door as email or push notifications on a mobile device.
- The myQ app is free and does not require an annual activation fee.
- Connected operators receive current firmware updates

### myQ FACILITY MANAGEMENT

myQ Facility Management is a premium cloud-based platform to manage access for unlimited facilities, users and vehicles from anywhere. Monitor and control your vehicular access doors, gated entries and dock positions from a universal platform.

- Facility dashboards provide the right people visibility into all the facilities access points.
- Assign access to the facility based on a specific user role, device permissions, and scheduling.
- Notification management allows specific users visibility and insight into process related issues or when something is out of place.
- Commercial “Intelligence” reporting provides insight to schedule maintenance based on equipment usage (instead of calendar-based maintenance), identify energy savings opportunities, and monitor overall time related to access open times.

- A connected dock door operator provides complete visibility into dock operations including door event status, trailer presence, dock leveler status, truck restraint status, forklift sensing, and trailer location. Enhance overall efficiency at each dock position.

### SETUP A myQ® SMART FACILITY MANAGEMENT ACCOUNT

**NOTE:** If you have an existing myQ® account, your Smart Facility Management account will have the same password.

1. Call LiftMaster Customer Care at 800.323.2276 to activate a Smart Facility Management account.
2. You will receive a welcome email from LiftMaster with instructions to register and login to your account.
3. Set up the facility and add users and groups to provide access to the facility (see the help in Smart Facility Management).
4. Follow onscreen prompts to get your Logic 5.0 Commercial Door Operator and additional devices connected.

Visit [myQ.com](http://myQ.com) for more information about LiftMaster’s myQ connected solutions.

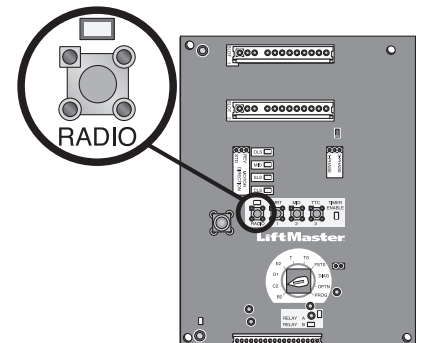
## PROGRAMMING myQ DEVICES

1. Press and release the RADIO button on the logic board to enter programming mode. The RADIO LED will light.
2. Place the myQ enabled device into learn mode, see the instructions for the device.
3. When programming is complete, the RADIO LED will turn off.

**NOTE:** The operator will exit programming mode in 3 minutes if programming is not completed, and the RADIO LED will turn off.

### TO ERASE ALL myQ ENABLED DEVICES:

1. Press and release the RADIO button on the logic board (the RADIO LED will light).
2. Press and hold the MAS button for 5 seconds. The RADIO LED will flash for approximately 5 seconds and the RADIO LED will turn off.



All myQ enabled devices are now erased.

# MAINTENANCE ALERT SYSTEM (MAS)

**Feature:** An internal cycle counter will activate a flashing LED on the 3-button control station when the preset number of cycles or months has elapsed (whichever occurs first). Setting this feature is optional. By default this feature will never activate. Logic 5.0 operators incorporate a self diagnostic feature built into the MAS LED. In addition to indicating when routine maintenance is due, the MAS LED can be used to troubleshoot some problems with the operator.

**Benefit:** The Maintenance Alert System (MAS) assists the installing dealer in setting up a routine maintenance program. Once programmed, the MAS notifies the end user (with a flashing LED on the 3-button station) when a preset number of cycles/months has elapsed and scheduled maintenance is due.

**To Program:**

1. Close the door.
2. Turn the selector dial to PROG.
3. Press and release the MAS SET button.
4. Press the STOP button once to clear the MAS memory.
5. Press the OPEN button once for every 5,000 cycles increments. Press the CLOSE button once for every 3 month increments.
6. Press and release the MAS button to complete the programming. The on board LED will flash back the programmed settings. The OPEN LED will flash once for every 5,000 cycles. The CLOSE LED will flash once for every 3 months.
7. Turn the selector dial back to the desired wiring type.

**NOTE:** If MAS LED flashes 2 or more flashes in a row followed by a pause, an operator error occurred. Turn to page 29 to diagnose problem.

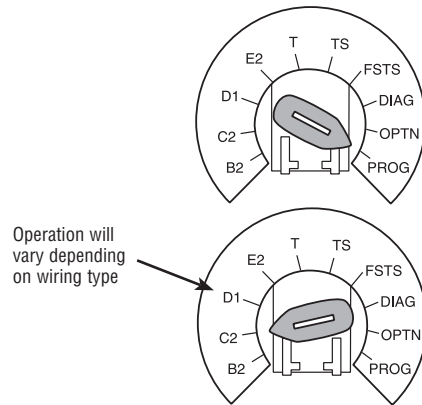
**Example:** A door is installed with 30,000 cycle springs and has an annual service contract. To set the MAS, turn selector dial to PROG, press MAS button, press the STOP button to clear the memory and then press the OPEN button 6 times (30,000 cycles) and the CLOSE button 4 times (12 months). Press the MAS again to complete the programming. Turn the selector dial back to desired wiring type.

**Special Notes about MAS:** A 5th wire must be run to the control station to activate the MAS LED. The MAS LED on the logic board is always enabled. When the operator is serviced after the MAS LED has started to flash, repeat the setup procedure to program in the number or cycles desired until the next service visit OR press and hold the MAS button for 5 seconds in the PROGRAM mode to reset the MAS with its current programmed value. To disable the MAS, follow the programming procedure above and press the STOP button to reset the counter to zero. Every time the operator leaves the close limit is counted as one cycle.

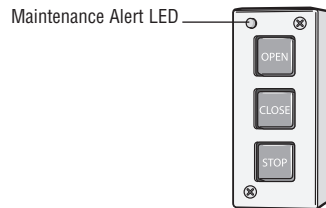
To view how many cycles are programmed into the MAS, set the selector dial to DIAG and press the MAS button. The OPEN button LED will flash once for every 5,000 cycle increment programmed and the CLOSE button LED will flash once for every 3 month increment programmed.

To view how many cycles have elapsed since the last time the MAS was programmed, set the selector dial to DIAG and press the MAS button. Press the OPEN button; the OPEN LED will flash once for every 5,000 cycles that has elapsed. Press the CLOSE button; the CLOSE LED will flash once for every (3) months that has elapsed. Press the MAS button to exit. Turn the selector dial back to desired wiring type.

**SELECTOR DIAL**



**3-BUTTON CONTROL STATION**



Press This	To Get This
<b>OPEN</b>	Adds 5,000 cycles to Maintenance Alert System Activation Counter.
<b>CLOSE</b>	Adds 3 Months to Maintenance Alert System Activation Timer.
<b>STOP</b>	Clears memory, sets Maintenance Alert System Activation Counter to 0 cycles and 0 months.



## OPEN MID STOP

**Feature:** The Mid Stop feature is to open the door to a preset point prior to the fully open position.

**Benefit:** The door opens to a midpoint between open and close reducing heating and cooling costs. The door will not cycle fully, providing longer door and operator life.

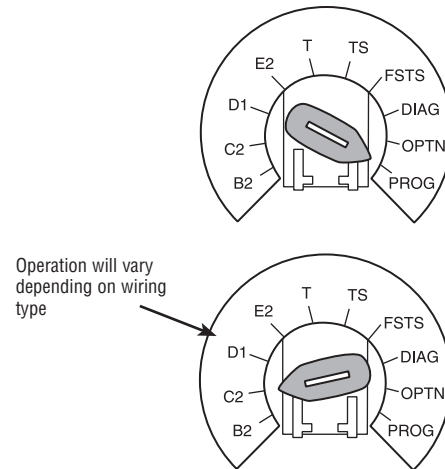
### To Program:

1. Close the door.
2. Turn selector dial to PROG.
3. Press and release the MID button on logic board.
4. Press the OPEN button, wait until the door reaches the desired mid stop height, then press and release the STOP button.
5. Press and release the MID button to complete programming.
6. Turn selector dial back to desired wiring type.

**NOTE:** A momentary open command will open the door fully from the Mid Stop position. Once at the Mid Stop, photoelectric sensors and other entrapment protection devices will not open the door beyond the mid stop position, except in E2 mode. The Timer-To-Close will work from the Mid Stop.

To clear the Mid Stop set the selector dial to PROG and press and hold the MID button for 5 seconds. The MID LED will flash rapidly and turn off once the Mid Stop has been cleared. Turn selector dial back to desired wiring type.

### SELECTOR DIAL



## ⚠ WARNING

To prevent possible SEVERE INJURY or DEATH:

- Install a LiftMaster Monitored Entrapment Protection (LMEP) Device.
- NEVER permit children to operate or play with door control push buttons or remote controls.
- Activate door ONLY when it can be seen clearly, is properly adjusted and there are no obstructions to door travel.
- ALWAYS keep door in sight until completely closed. NEVER permit anyone to cross path of closing door.

## TIMER-TO-CLOSE

**Feature:** Timer automatically closes door after preset time. All entrapment protection devices must be unobstructed.

**Benefit:** The door will automatically close after preset amount of time. Great for apartment buildings, fire stations and other applications where the end user wants the door to close automatically after a specified amount of time.

**Requirements:** Must have at least one LiftMaster Monitored Entrapment Protection (LMEP) Device installed (refer to page 12). Wiring type must be set to TS, T or FSTS.

### TO PROGRAM MANUALLY (METHOD 1):

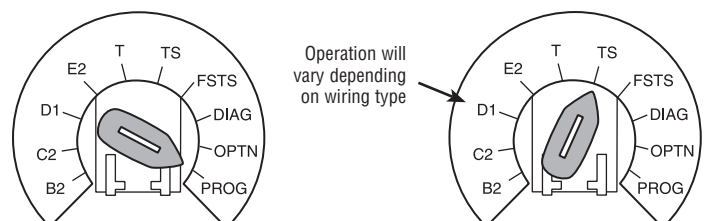
1. Close the door.
2. Turn the selector dial to PROG.
3. Press and release the TIMER button on the logic board.
4. Press and release the STOP button to clear the timer.
5. Press and release the OPEN button for every second the operator should wait before attempting to close the door. Press and release the CLOSE button for every 15 seconds the operator should wait before closing the door.

6. Press and release the TIMER button to complete programming. The OPEN/CLOSE button LEDs will flash to confirm the timer setting. The OPEN LED will flash once for every second programmed and the CLOSE LED will flash once for every 15 seconds programmed.

7. Turn the selector dial to desired timer wiring type (TS, T or FSTS).

**Example:** To close the door after 70 seconds. Turn selector dial to PROG, press and release the TIMER button, press and release the STOP button to clear the timer, press and release the CLOSE button four times for 60 seconds and press and release the OPEN button 10 times for 10 seconds. Press the TIMER button to finish programming the timer. Turn the selector dial to desired timer wiring type (TS, T, or FSTS).

### SELECTOR DIAL



## TIMER-TO-CLOSE

### PROGRAM TIMER-TO-CLOSE BY EXAMPLE (Method 2):

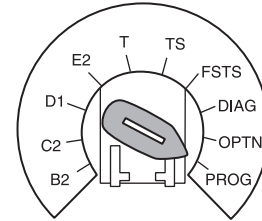
#### TO PROGRAM:

1. Close the door.
2. Turn the selector dial to PROG.
3. Press and hold TIMER button for 5 seconds until OPEN and OLS flashes then release.
4. Press and release the OPEN button and wait for the door to reach full open or mid stop position.
5. Wait for desired amount of time to pass. (An internal stop watch starts counting when the door stops moving.)
6. Press and release the TIMER button, CLOSE button or STOP button to stop the timer. (TIMER SET LED will turn on.)
7. Turn the selector dial to the desired wiring type (T, TS, FSTS).

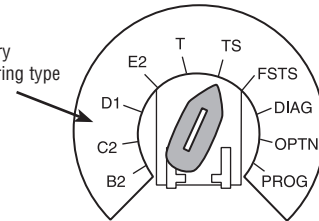
**NOTE:** To read back the Timer-To-Close setting, turn the selector dial to DIAG and press the TIMER button. The OPEN LED will flash once for every second programmed and the CLOSE LED will flash once for every 15 seconds programmed.

To deactivate the timer from the open position press the STOP button. The timer will be reactivated on the next operation command. To deactivate the timer for more than one cycle, attach a switch to 11 and 12 (Common and Timer Defeat).

#### SELECTOR DIAL



Operation will vary depending on wiring type



## CAR DEALER MODE

**Feature:** The car dealer mode uses the SBC (Single Button Control input) to bring the door from a closed position to the programmed Open Mid-Stop position and keep it at that location even with multiple inputs.

**Benefit:** Provides energy cost savings by limiting the door opening height.

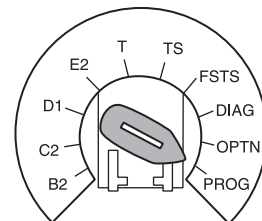
**Requirements:** This feature works in conjunction with the programmable Timer-To-Close feature. To enable this feature you must first connect a treadle, photoelectric sensor or loop detector accessory to the SBC input and must have at least one LiftMaster Monitored Entrapment Protection (LMEP) Device installed (refer to page 12). Wiring type must be set to TS or T.

#### TO PROGRAM:

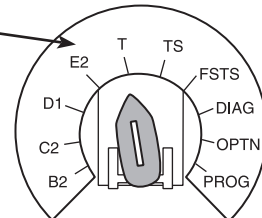
1. Start with the door in the closed position.
2. Turn the selector dial to PROG.
3. Push the TIMER button and release (GREEN TIMER LED will be lit).
4. Push the MID button and release. This turns on the Car Dealer Mode. (The GREEN TIMER LED will flash 6 times indicating the Car Dealer Mode is turned on.)
5. Push the TIMER button and release.
6. Turn the selector dial to the desired wiring type (TS or T).

**NOTE:** To disable the Dealer Mode follow steps 2 and 3, then press the MRT button and release. (The GREEN TIMER LED will flash 3 times indicating that the Car Dealer Mode is off.)

#### SELECTOR DIAL



Operation will vary depending on wiring type



## MAXIMUM RUN TIMER (MRT)

**Feature:** The operator can learn the time it takes to open or close the door plus and an additional 10 seconds.

**Benefit:** If the operator does not meet its open or close limit within the set time it will stop, limiting damage to the door and operator.

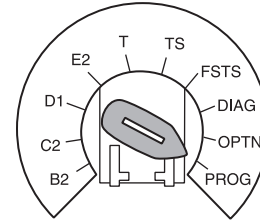
### To Program:

**NOTE:** The default setting for the MRT is 90 seconds. In the event the application requires the MRT be manually learned for a longer duration follow steps below.

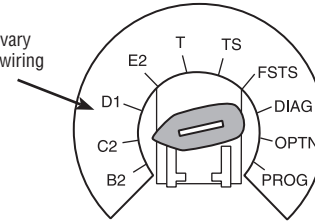
1. Start with the door in the closed position.
2. Set the selector dial to PROG.
3. Press and release the MRT button on logic board.
4. Press the OPEN button and wait for the door to reach the full open limit.
5. Once the door has reached the open position, programming is complete.
6. Turn the selector dial to desired wiring type.

**NOTE:** To reset MRT only, turn the selector dial to PROG and press and hold the MRT button until the MAS LED flashes rapidly.

### SELECTOR DIAL



Operation will vary depending on wiring type



## RESETTING FACTORY DEFAULTS - CLEARING MEMORY

To reset most of the user installed settings back to factory defaults:

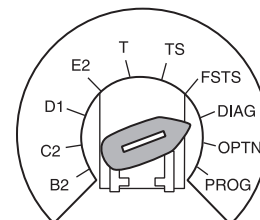
1. Turn the selector dial to DIAG.
2. Press and hold the STOP button for 5 seconds. The MAS LED will flash momentarily when the factory defaults have been restored.
3. Return the selector dial to the desired wiring type.

### Factory Defaults:

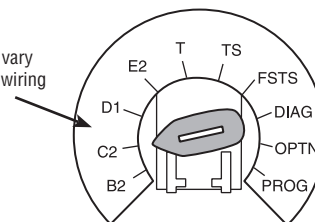
- a. Timer-To-Close = 0 seconds
- b. The Mid Stop is deactivated
- c. The Maintenance Alert System is deactivated
- d. The Maximum Run Timer is set to 90 seconds
- e. Car Dealer Mode is deactivated
- f. The remote controls and myQ devices will still be learned.
- g. Remote control programming via the 3-button station
- h. The LiftMaster Monitored Entrapment Protection (LMEP) Device will be unprogrammed

**NOTE:** Life of Operator feature (Odometer/Cycle Counter) and programmed remote controls are not cleared.

### SELECTOR DIAL



Operation will vary depending on wiring type



# MAINTENANCE

## MAINTENANCE SCHEDULE

For use with Maintenance Alert System.  
Check at the intervals listed in the following chart:

 <b>WARNING</b>	
To avoid <b>SERIOUS</b> personal <b>INJURY</b> or <b>DEATH</b> : <ul style="list-style-type: none"> <li>• Disconnect electric power <b>BEFORE</b> performing <b>ANY</b> adjustments or maintenance.</li> <li>• <b>ALL</b> maintenance <b>MUST</b> be performed by a trained door systems technician.</li> </ul>	

ITEM	PROCEDURE	EVERY MONTH	EVERY 3 MONTHS OR 5,000 CYCLES	EVERY 6 MONTHS OR 10,000 CYCLES	EVERY 12 MONTHS OR 20,000 CYCLES
Drive Chain	Check for excessive slack. Check and adjust as required. Lubricate.		●◆		
Sprockets	Check set screw tightness.		●		◆
Clutch	Check and adjust as required			●	◆
Belt	Check condition and tension.			●	◆
Fasteners	Check and tighten as required.			●	◆
Manual Disconnect	Check and operate.			●	◆
Bearings and Shafts	Check for wear and lubricate.		●◆		
LiftMaster Monitored Entrapment Protection (LMEP)	Check alignment and functionality.	●			

◆ **Use SAE 30 Oil (Never use grease or silicone spray).**

- Do not lubricate motor. Motor bearings are rated for continuous operation.
- Do not lubricate clutch or V-belt.

◆ **Repeat ALL procedures.**

- Inspect and service whenever a malfunction is observed or suspected.

## HOW TO ORDER REPAIR PARTS

OUR LARGE SERVICE ORGANIZATION SPANS AMERICA

Installation and service information are available.

Call our TOLL FREE number:

**1-800-528-2806**

LiftMaster.com

## LIFE OF OPERATOR FEATURE (ODOMETER/CYCLE COUNTER)

The operator is equipped with an odometer to show how many months and cycles the operator has performed from the time it as installed. This feature can help determine how long the operator has been in service.

1. Start with the door in the closed position.
2. Turn the selector dial to DIAG (diagnostic mode).
3. Press and release the MAS button on the logic board.

4. Press and release the MRT button on the logic board.
5. The open and close lights will flash. OPEN for every 5,000 cycles and CLOSE for every 3 months.
6. Return the selector dial to the desired wiring type.

**NOTE:** If the operator has not reached 5,000 cycles or 3 months, there will be no indications.

## GSD BRAKE

A solenoid brake comes standard on the GSD model. The brake is adjusted at the factory and should not need additional adjustment for the life of the brake assembly.

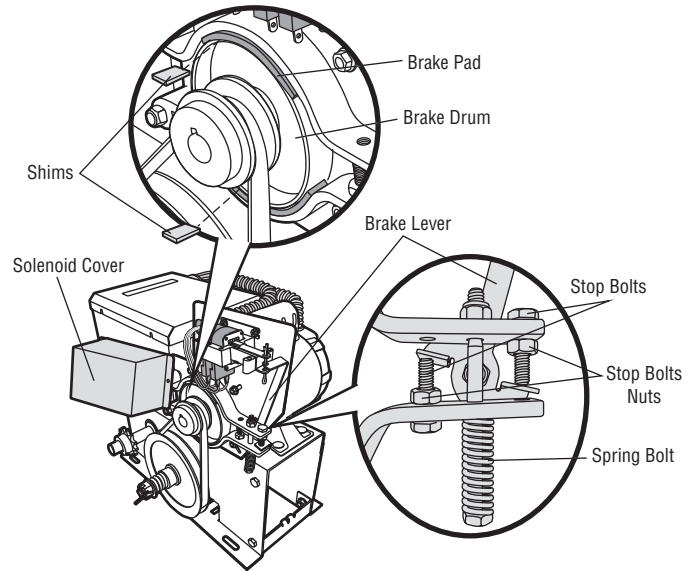
Inspect the brake pad and replace brake assembly when necessary.

## SD BRAKE

A drum brake comes standard on the SD model. It comes adjusted from the factory, however, occasional adjustments may be necessary throughout the life of the brake.

### ADJUSTING DRUM BRAKE:

1. Manually activate the brake by holding back brake lever and insert a type of shim (a business card or a folded piece of paper work well) between the brake pad and brake drum as far away from the spring bolt as possible, while still inserting between the brake pad and drum. Release the brake lever. This will create the necessary space to ensure the brake is not dragging when the door is in motion.
2. Tighten both stop bolts until the bolts come into contact with the lever. Secure the stop bolts in place by tightening the stop bolt nuts. Remove the shim used in step 1.
3. Tighten or loosen the spring bolt to add or release brake force.
4. Connect power to the operator. Run the operator and ensure the brake is working properly.
5. Make any adjustment necessary. If the solenoid buzzes while running, loosen the spring bolt until the buzzing is no longer present when the operator is in motion. A buzzing solenoid will stress the solenoid and can cause it to fail prematurely.



## TROUBLESHOOTING

### DIAGNOSTIC CHART

The logic board has several LEDs to assist in the installation and troubleshooting of the operator. The following chart should assist in verifying the operator is functioning properly. Turn the selector dial to DIAG to keep the door from moving while troubleshooting.

LED	COLOR	DEFINITION
Power	Green	Indicates that power is being generated for the logic board.
Stop	Green	Indicates a closed circuit between common and terminal 5. Pressing stop should turn off this LED.
Open	Yellow	Indicates a closed circuit between common and terminal 7. Pressing the open button should turn ON this LED.
Close	Yellow	Indicates a closed circuit between common and terminal 6. Pressing the close button should turn ON this LED.
LMEP	Green	Solid on indicates LMEP learned. Flashing indicates sensors need to be re-connected or activated, or unlearned if removed**. Solid off indicates no sensors learned.
Timer Defeat	Yellow	Solid on indicates a closed circuit between common and terminal 12. Timer-To-Close will not close.
OLS	Yellow	Pressing the Open Limit Switch should turn ON this LED. Indicates the Open Limit Switch is activated.
CLS	Yellow	Pressing the Close Limit Switch should turn ON this LED. Indicates the Close Limit Switch is activated.
SLS	Yellow	Pressing the Sensing Limit Switch should turn ON this LED. Indicates the Sensing Limit Switch is activated.
Edge	Yellow	Indicates a closed circuit between common and terminal 8. Pressing the edge should turn ON this LED.
Mid Stop	Yellow	Solid on indicates door is stopped on up or down mid stop. Flashing indicates MID STOP is being set.
Timer Enabled	Green	Solid on indicates TIMER is programmed and will activate from open or mid stop position. Flashing indicates Timer is counting down and door will close after preset time. Each flash represents 1 second of programmed time.
SBC	Yellow	Indicates a closed circuit between common and terminal 1. Pressing the single button control station should turn ON this LED.
MAS	Yellow	Indicates the Maintenance Alert System has been activated or an error code has been triggered.
Relay A	Yellow	Indicates open or close command has been given to the motor. LED turns on when OPEN/CLOSE button is pressed.
Relay B	Yellow	Indicates open or close command has been given to the motor. LED turns on when OPEN/CLOSE button is pressed.
DATA	Green	Indicates communication between the Logic 5.0 board and optional TLS1CARD.

\*\* RESTRICTED CLOSE. This method will allow you to close the door when LMEP Device(s) are no longer working. Press and hold the CLOSE button until the door reaches the closed limit. If the CLOSE button is released before the door reaches the closed limit the operator will stop and the procedure will need to be repeated to fully close the door.

## TROUBLESHOOTING GUIDE

FAULT	POSSIBLE CAUSE	FIX
<b>A RELAY CLICK IS HEARD WHEN GIVEN A COMMAND SLIGHTLY BEFORE MOTOR MOVEMENT. RELAY LED'S ON BOARD FLASH IN UNISON WITH THE CLICK.</b>	This is normal operation.	No action necessary. See Logic Board Overview (page 18) for more information regarding current sense.
<b>THE OPERATOR WILL NOT RESPOND TO ANY COMMANDS.</b>	a) No power supply.	<ul style="list-style-type: none"> <li>➤ A) Make sure power is connected to the L1, L2 and L3 terminals.</li> <li>➤ B) Check the motor harness and ensure the motor harness is connected to the correct power connector.</li> <li>➤ C) Check the transformer.</li> </ul>
	b) Control station not connected or wired correctly	<ul style="list-style-type: none"> <li>➤ Use the OPEN, CLOSE and STOP LEDs to help check for correct wiring. Verify the board is accepting commands by using the onboard station. The green LED next to stop button must be illuminated.</li> </ul>
	c) Interlock switch is activated.	<ul style="list-style-type: none"> <li>➤ Check Interlock(s). If more than one external interlock is present they must be wired in series. Green LED next to stop button must be on.</li> </ul>
	d) Dial still in PROG, OPTN, or DIAG mode.	<ul style="list-style-type: none"> <li>➤ Set dial to the desired wiring type.</li> </ul>
	e) Motor is malfunctioning.	<ul style="list-style-type: none"> <li>➤ Verify proper voltage is being delivered to the motor (Check motor name plate).</li> </ul>
	f) Motor thermal overload is tripped.	<ul style="list-style-type: none"> <li>➤ Check to see if motor is hot. Allow motor to cool before attempting to move door. Cycle operator in constant pressure one full cycle. (OPEN and CLOSE to reset fault)</li> </ul>
	g) Possible malfunction of an accessory.	<ul style="list-style-type: none"> <li>➤ Disconnect all devices, reattach one at a time testing for a failure after each one is replaced.</li> </ul>
	h) Power Board may need to be replaced.	<ul style="list-style-type: none"> <li>➤ When the OPEN or CLOSE button is pressed, Relay A or B LED should illuminate and the door should move in the corresponding direction. If Relay A or B illuminates and the door does not move, the Power Board may need to be replaced.</li> </ul>
	i) Possible logic board failure.	<ul style="list-style-type: none"> <li>➤ Replace logic board.</li> </ul>
<b>POWER LED IS NOT ILLUMINATED.</b>	a) Loose secondary wiring connections or a faulty control transformer.	<ul style="list-style-type: none"> <li>➤ Repair or replace connections or control transformer.</li> </ul>
	b) Hoist interlock switch engaged.	<ul style="list-style-type: none"> <li>➤ Check interlock. Verify the manual release chain is not engaged.</li> </ul>
<b>STOP BUTTON LED IS NOT ILLUMINATED.</b>	a) Control station not connected or wired correctly.	<ul style="list-style-type: none"> <li>➤ Check wiring to control station.</li> </ul>
	b) Malfunctioning interlock switch.	<ul style="list-style-type: none"> <li>➤ Check interlock switch(es) for continuity.</li> </ul>
<b>THE DOOR WILL MOVE ABOUT A FOOT AND STOPS. AFTER STOPPING, ONLY CONSTANT PRESSURE COMMANDS WILL MOVE THE DOOR.</b>	a) RPM sensor is not connected properly or is malfunctioning.	<ul style="list-style-type: none"> <li>➤ Check the RPM assembly for loose connections. Make sure the interrupter cup is turning when operator is running. Check for foreign matter blocking.</li> <li>➤ Replace RPM sensor.</li> </ul>
	b) Clutch is slipping.	<ul style="list-style-type: none"> <li>➤ Adjust clutch and verify the door is not binding.</li> </ul>
<b>THE DOOR WILL MOVE MOST OF THE WAY TOWARDS A LIMIT AND STOP. AN ADDITIONAL OPEN OR CLOSE COMMAND IS ABLE TO GET DOOR TO COMPLETE CYCLE.</b>	The Maximum Run Timer is not set correctly.	<ul style="list-style-type: none"> <li>➤ Manually reprogram the Maximum Run Timer (page 25) or reset the factory defaults (page 25).</li> </ul>
<b>THE DOOR WILL OPEN SOME BUT NOT COMPLETELY. AN EXTRA OPEN IS ABLE TO GET THE DOOR TO OPEN COMPLETELY.</b>	A Mid-Stop may be set.	<ul style="list-style-type: none"> <li>➤ Check to see if the Mid-Stop LED is on. Clear the Mid-Stop by turning the selector dial to program. Press and hold the MID-STOP button for 5 seconds. Return dial to desired wiring type.</li> </ul>
<b>THE DOOR WILL OPEN BUT WILL ONLY CLOSE AFTER A FIVE SECOND DELAY WITH CONSTANT PRESSURE ON THE CLOSE BUTTON (RESTRICTED CLOSE MODE).</b>	a) The LMEP attached is obstructed or activated.	<ul style="list-style-type: none"> <li>➤ If the on board LMEP LED is flashing, the photoelectric sensors are misaligned or not connected. Remove any obstructions, check the entrapment protection device wires for continuity and shorts. If more than one LMEP is installed with the use of a CPS3CARD the LMEP will not flash when one of the LMEP's is blocked.</li> </ul>
	b) The logic board thinks the direct connect photoelectric sensors are attached and blocked.	<ul style="list-style-type: none"> <li>➤ Unlearn the photoelectric sensors from the memory by resetting factory defaults.</li> </ul>



## TROUBLESHOOTING ERROR CODES

Logic 5.0 operators incorporate a self diagnostic feature built into the MAS LED. In addition to indicating when routine maintenance is due, the MAS LED can be used to troubleshoot problems with the operator.

If the MAS LED on the logic board or 3-button control station is flashing on and off rapidly, the Maintenance Alert System has been triggered and service is due on the operator. If the MAS LED flashes 2 or more times in a row followed by a pause, an operator error has occurred. To view the errors, turn the selector dial to DIAG and press the OPEN button. To view the individual error codes (if more than one exists) press CLOSE. It is possible to have more than one error at a time.

Use the chart below to determine the error.

ERROR CODE	DESCRIPTION	SYMPTOM	SOLUTION
1 blink	MAS triggered (cycles or months).	Normal operation.	Reset MAS (page 22).
2 blinks	No RPM input during opening or closing.	The door only responds to constant pressure commands.  OR  No operator movement for 3-Phase operator.	Clutch is slipping, adjust clutch, or verify RPM sensor connection or replace RPM sensor. <b>NOTE:</b> To relearn the RPM sensor, move the door with a constant pressure command. The door will stop once relearned and normal operation will resume.  OR  Replace 3-Phase Power Board.
3 blinks	(MRT) Maximum Run Time has timed out.	The door stops before reaching the desired time.	Check the operator for any faults (e.g., bad limit switch), program the Max Run Timer OR reset to factory defaults.
4 blinks	Obstruction sensed on closing.	Operator will reverse to OPEN position.	Remove obstruction or realign photoelectric sensor.
5 blinks	A button is stuck (longer than 2 minutes).	The control station will not respond.	The control station must be fixed or replaced before it will be recognized as an input.
6 blinks	Invalid option card plugged into option card receptacles.	Option card will not function properly.	Refer to accessories page for list of supported option card(s).
7 blinks	LiftMaster Monitored Entrapment Protection (LMEP) Device faulted or removed for greater than 2 minutes.	Normal operation (5 second constant pressure override required to close).	Cleared when entrapment protection device is cleared or connected.
8 blinks	Brownout Detected - under voltage.	Operator will run as long as enough power is present.	1. Check AC line for voltage. 2. Check transformer secondary for low voltage. Too many accessories may be connected to the transformer.
9 blinks	Power board failure.	No operator movement.	Replace power board.
10 blinks	Operator was not in programming mode when the motor phase jumper was changed.	The phase will not change.	Enter programming mode and move phase jumper to change phase.
11 blinks	Too much voltage supplied to operator - over voltage.	Operator will run as long as a component failure does not occur.	1. Check AC line for voltage. 2. Voltage to be within +/- 10% of intended voltage.
12 blinks	Current sense fault.	Motor moves for limited cycles, then motor no longer moves.	1. Check current sense wiring connection. 2. Cycle operator power after wiring has been corrected.  OR  1. Replace 3-Phase Power Board.

**NOTE:** Error codes take priority over normal MAS LED operation. Error codes will repeat on the MAS every 1.5 seconds until cleared. There may be more than one error present, but only the highest priority will flash. If the highest error is cleared, the next highest will flash. All errors self-correct when the corrective action is taken. A reset is not needed.

## TROUBLESHOOTING RADIO FUNCTIONALITY

The error codes will display at the radio LED.

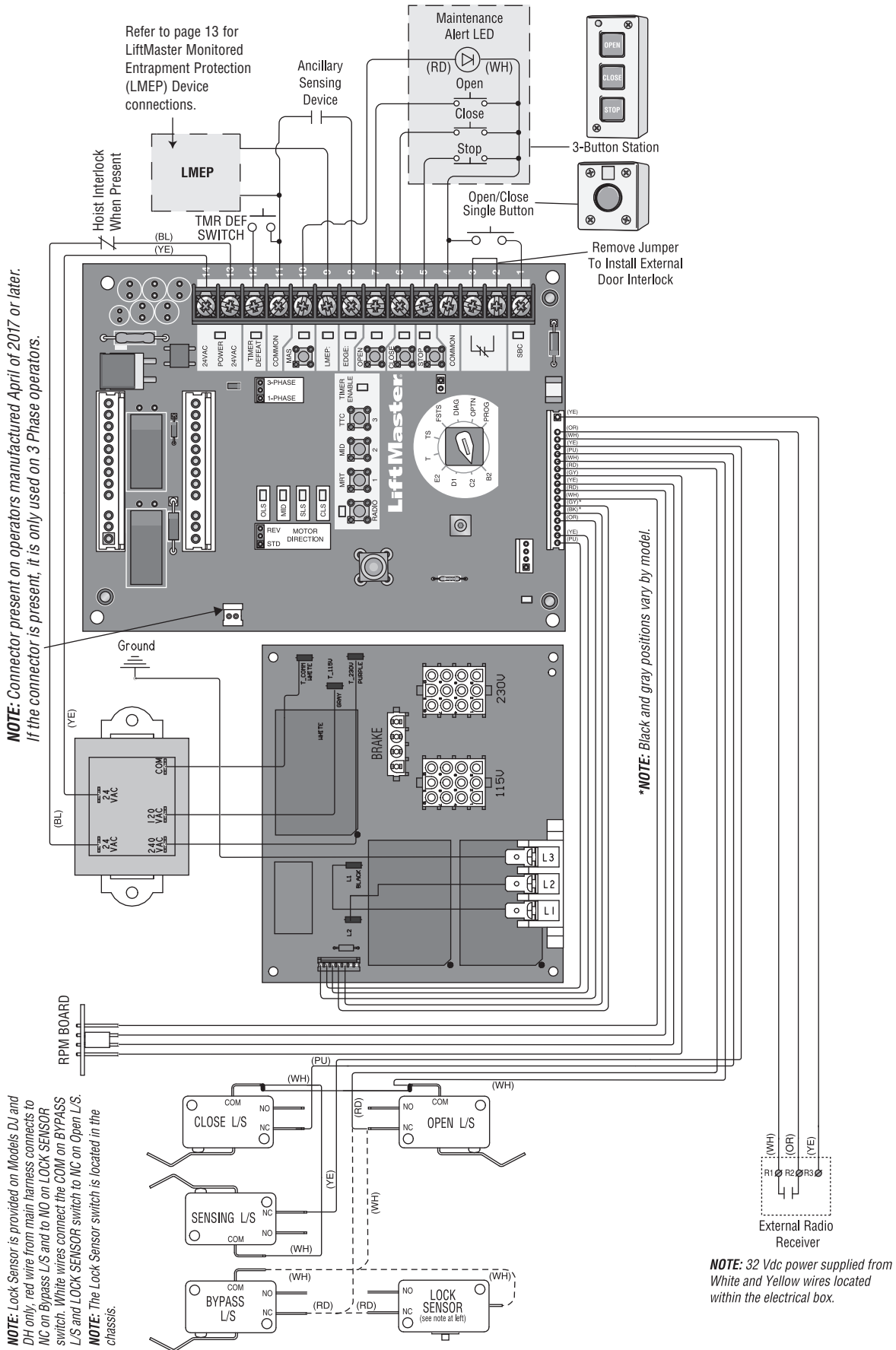
**NOTE:** Radio receiver is compatible with SECURITY+ 2.0® remote controls and keyless entry devices.

ERROR CODE	DISPLAY	SYMPTOM	POSSIBLE PROBLEM	CORRECTION
R1	Quick Flash	No response from the remote control.	Unlearned remote control- A user tries to use a remote control, but the RADIO LED only flashes briefly and there is no response from the operator.	Try re-learning the remote control (page 21).
R2	No LED activity	No response from the remote control.	Cannot recognize remote control - A weak signal caused by a discharged battery or outside interference with the remote control(s) - OR - the remote control(s) being learned is not compatible with the operator. Antenna not installed or damaged.	Replace battery - OR - eliminate interference - OR- obtain a qualified remote control- OR- check antenna connections.
R3	Radio LED turns off after 30 seconds	The remote control cannot be learned.	Cannot recognize remote control- A weak signal caused by a discharged battery or outside interference interfering with the learn process - OR - the remote control(s) being learned is not compatible with the operator. Antenna not installed or damaged.	Replace battery - OR - eliminate interference - OR- obtain a qualified remote control- OR- check antenna connections.
R4	2 blinks	The remote control cannot be learned.	Receiver memory full - A user enters RADIO function learning mode but there is no space left to add another remote control.	Erase all learned remote controls and re-learn the desired remote control.
R5	3 blinks	The remote control cannot be learned.	Duplicate remote control- A user enters RADIO function learning and selects the function to be learned. When the remote control button is pressed for learning, a search reveals that remote control is already learned.	This remote control already has a function associated with it. To change the function, erase all learned remote controls and re-learn the desired remote control.
R6	LMEP LED flashes	Cannot close via constant pressure in C2, D1, or E2 modes.	No entrapment protection device present - A sensing device is required to close via constant pressure.	Must connect a LiftMaster Monitored Entrapment Protection (LMEP) Device.

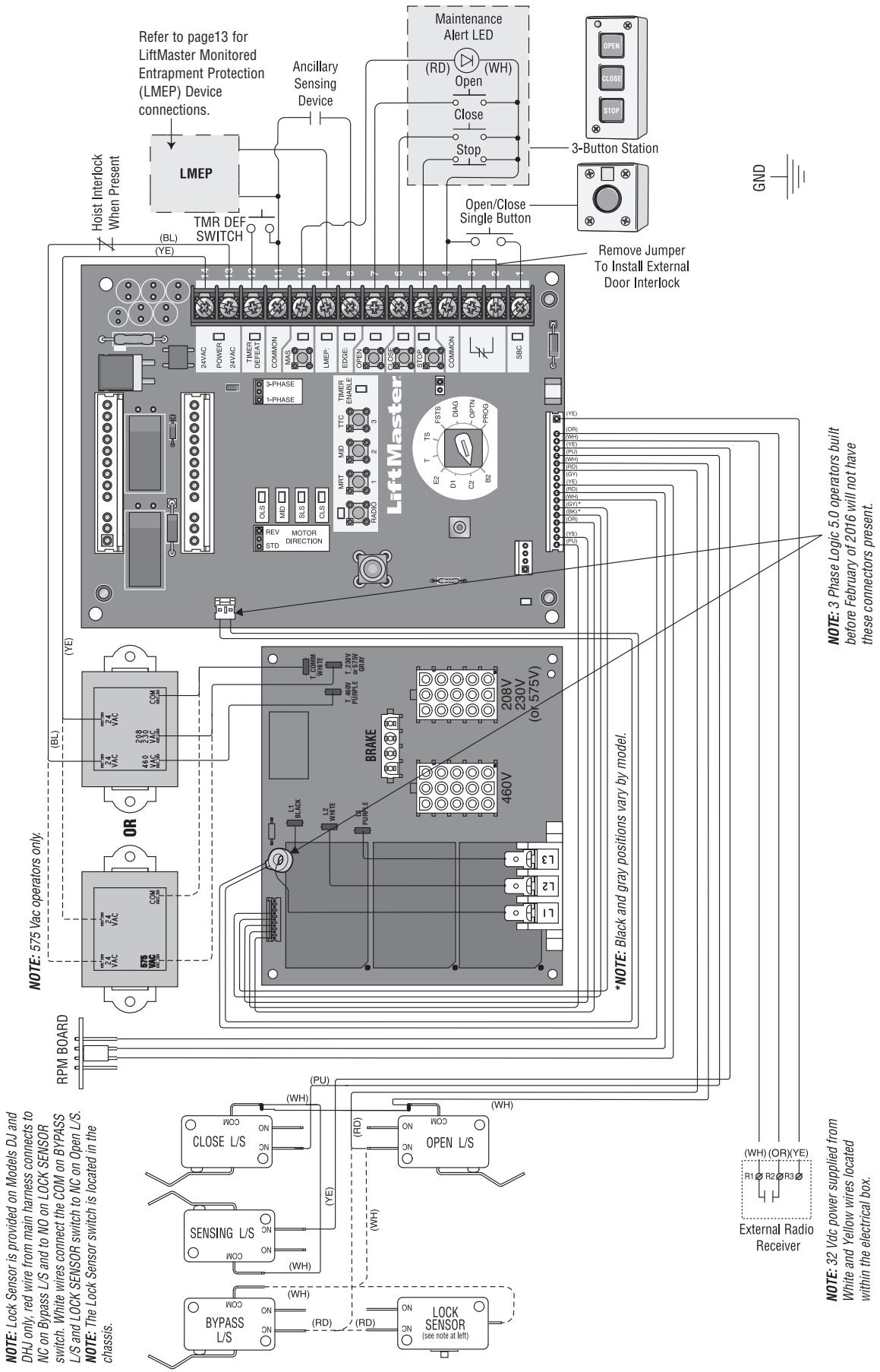


# WIRING DIAGRAMS

## LOGIC (VER. 5.0) 1 PHASE WIRING DIAGRAM



# LOGIC (VER. 5.0) 3 PHASE WIRING DIAGRAM



# ACCESSORIES

## ENTRAPMENT PROTECTION DEVICES

### MONITORED

#### CPS-U



#### Dual-Sided Infrared Photoelectric Sensors

- NEMA 1 general purpose enclosure.
- Dual-sided infrared sensors.
- For indoor use.
- Maximum range of 30 feet (9.1 m).

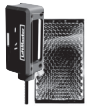
#### CPS-UN4



#### Monitored Thru-Beam Photoelectric Sensors

- Heavy-duty housing for industrial applications.
- NEMA 4 enclosure protects against direct spray.
- Dual-sided infrared sensors.
- For indoor/outdoor use.
- Maximum range of 45 feet (13.7 m).

#### CPS-RPEN4



#### Monitored Retro-Reflective Photoelectric Sensors

- Polarized reflector for use in applications with highly reflective surfaces.
- NEMA 4X enclosure protects against direct water spray and corrosion.
- Retro-reflective sensor.
- For indoor/outdoor use.
- Maximum range of 50 feet (15 m).

#### CPS-OPEN4



#### Monitored Dual-Sided Photoelectric Sensors

- Flexible housings maintain alignment in areas with a high propensity for sensor contact.
- NEMA 4X enclosure protects against direct water spray and corrosion.
- Dual-sided infrared sensors.
- For indoor/outdoor use.
- Maximum range of 45 feet (13.7 m).

### Optical Edge System (OES)

#### OES-SD16



#### Optical Edge System

16 feet (4.9 m) Sectional 2-Wire Door Edge Kit with infrared optical sensors, rubber door edge and all mounting hardware (channel sold separately).

#### OES-SD24



#### Optical Edge System

24 feet (7.3 m) Sectional 2-Wire Door Edge Kit with infrared optical sensors, rubber door edge and all mounting hardware (channel sold separately).

#### OES-RD16



#### Optical Edge System

16 feet (4.9 m) Rolling 2-Wire Door Edge Kit with infrared optical sensors, rubber door edge and all mounting hardware (door channel not required).

- Rubber door edge is durable, flexible and easy to install.
- Premium rubber can be cut to length for exact fit.
- NEMA 6 rating protects against moisture and standing water.
- Infrared optical sensors eliminate the need for electrical contacts.
- Maximum range of 33 feet (10 m).
- Sectional and rolling door edges are also available in 50 foot (15 m) bulk rolls, along with individual components for additional savings on large installation jobs.

### MONITORED

#### CPS3CARD



#### Safety Interface Card

Plug-in Interface card enables use of a second set of monitored photo eyes or edge with a commercial door operator.

#### CPS-MEI

#### Edge Interface 2-Wire Monitored

For use with approved 2-wire edges.

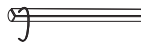
#### CPS-EI

#### Edge Interface 4-Wire Monitored

For use with approved 4-wire edges.

### NON-MONITORED

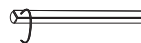
#### 65-8202



#### Vehicle Detection System

Pneumatic Sensing Edge Kit with exterior air switch, 2-wire coil cord and 14 foot (4.3 m) air hose.

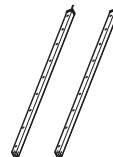
#### 65-5202



#### Vehicle Detection System

Pneumatic Sensing Edge Kit with exterior air switch, 2-wire take-up reel (20 feet [6 m] extended) and 14 foot (4.3 m) air hose.

#### LC-36A



#### Light Curtain

Non-monitored entrapment protection device that forms a 3-foot cross-pattern of invisible light beams for maximum property protection. (See also 100MAPS.)

#### 100MAPS



#### Plug-In Power Supply

Provides power to the LC-36A Light Curtain.

# ACCESSORIES

## myQ ACCESSORIES

828LM



### LiftMaster® Internet Gateway

Enables owners of Commercial Door Operators to open and close their doors and turn on/off lights in or around their facility using a mobile device or computer from anywhere in the world.

819LMB



### myQ® Home Bridge

Utilizes smartphone control to myQ enabled products that don't have built in Wi-Fi and controls your garage doors or lights from anywhere. Also enables secure in-garage delivery for Amazon Prime packages.

829LM



### Garage and Gate Monitor

Monitor open/closed status for up to 4 myQ compatible commercial door openers or gate operators and close them from anywhere.

825LM



### Remote Light Control

Automatically control your lights using your commercial door opener, a Security+ 2.0® remote control or a LiftMaster® Internet Gateway. Plugs into any interior outlet.

## REMOTE CONTROLS WITH SECURITY+ 2.0® AND CONNECTIVITY

811LM



### Encrypted DIP Switch Single-Button Remote Control

Ideal for commercial door applications requiring a large number of remotes for a common space.



### Encrypted DIP Switch Three-Button Remote Control

Includes Red, Yellow and Green markings which Indicates Open, Close, Stop.

877LM



### Wireless Keypad

Able to be programmed with temporary access codes for visitors or delivery personnel.

## RADIO

STAR1000



### Commercial Access Control Receiver

Connects up to 1000 LiftMaster® remote controls. Supports suspending and unsuspending remote controls to withhold and reinstate access.

850LM



### Universal Receiver

Featuring Security+ 2.0® technology. Designed for both gated communities and commercial buildings to support and manage multiple access points multiple remote controls.

## CONTROL STATIONS

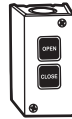
02-101



### 1-Button Control Station

Steel enclosure.

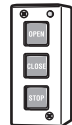
02-102



### 2-Button Control Station

Steel enclosure.

02-103L



### 3-Button Control Station

Steel enclosure with Maintenance Alert System.

02-110



### Key Control Station

Indoor flush mount, NEMA 1 with Stop button.

02-401M



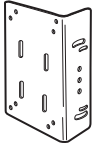
### 1-Button Control Station

Indoor/outdoor surface mount, single button to activate opening one commercial door.

# ACCESSORIES

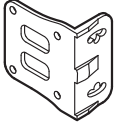
## MOUNTING BRACKETS

### 10-12360



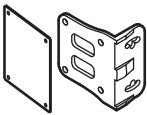
Heavy gauge steel bracket for vertical or horizontal mount on either front or top of coil on a rolling door. Has a variety of mounting hole patterns compatible with many OEM manufacturers. For use with J, H, DJ, and DH operators. May be welded.

### 08-9098



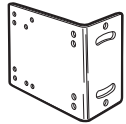
Cast iron bracket to mount J, H, DH, DJ, and GH side mount operators on end bracket of a rolling door or grill. For vertical or horizontal mount on either front or top of coil. Cannot be welded.

### 08-9098EZ



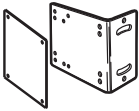
Same as 08-9098, but with adapter plate to hold mounting bolts in place for easy mounting.

### 1A4324



Heavy gauge steel bracket for vertical or horizontal mount on either front or top of coil on a rolling door. May be welded. For use with J, H, DJ, and DH operators.

### 1A4324EZ



Same as 1A4324, but with adapter plate to hold mounting bolts in place for easy mounting.

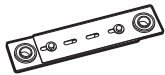
## CHAIN TENSIONERS For Jackshaft Type Operators

### 71-6023

For 1" (2.5 cm) shafts. Recommended to properly tension drive chain between operator shaft and door shaft.

### 71-6125

Same as 71-6023, but for 1-1/4" (3.2 cm) shafts.



## OPTION CARDS

### TLS1CARD

#### Timer Light Status Card

The TLS option card provides special functionality to activate and flash auxiliary devices such as lights, bells, and horns/strobes at various door positions, and to provide special timer functions.

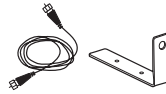
### AUXCARD

#### Auxiliary Contact Card

The Auxiliary Contact option card has both Normally-Open and Normally-Closed contacts that actuate when the door is idle, opening, or closing.

## ADDITIONAL CONTROL ACCESSORIES

### 86LM (15' [4.6 m]) 86LMT (25' [7.6 m])



#### Antenna Extension Kit

The antenna extension kit can be used with EXT-ANT for maximum radio receiver range.

### RGL24LY



#### Red/Green Traffic Light

Indicates when a commercial door reaches the open position. Provides assurance of safe entering and exiting of the facility, reducing the potential for costly accidents. (TLS1CARD is recommended)

### RGL-CTL



#### Red/Green Traffic Light-Compact

Similar to RGL24LY function, but high-intensity LEDs and fully sealed enclosure. Ideal for single lane operations that require focused visibility.

### 50-HERK2



#### Motion Detector 24V

Microwave motion detector with two independently programmable channels.

### 50450



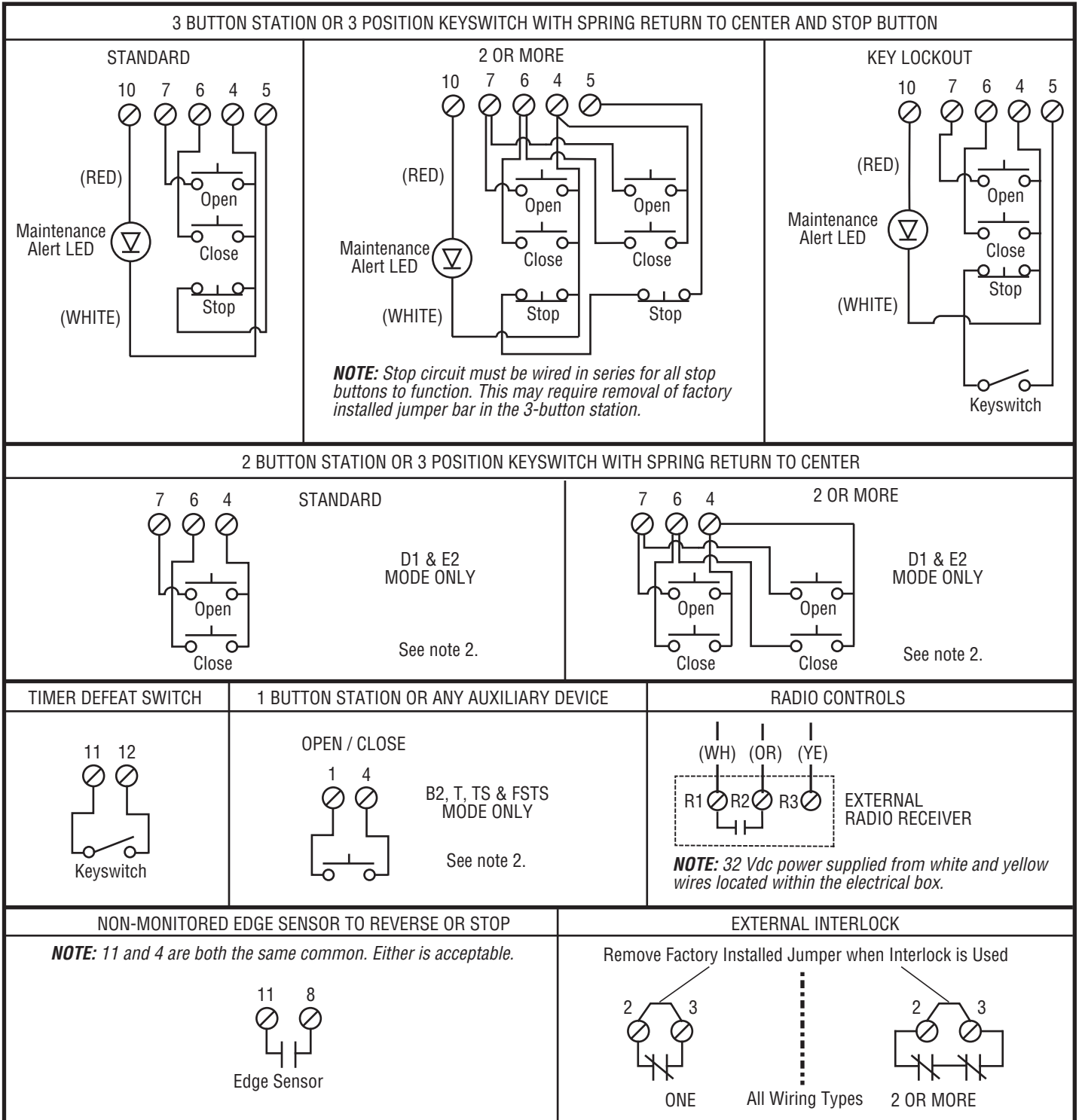
#### Switch Sectional Door Interlock

NEMA 4 switch disables operator control circuit when door is locked preventing electrical operation of the door.

# CONTROL CONNECTION DIAGRAM

**IMPORTANT NOTES:**

1. The 3-Button Control Station provided must be connected for operation.
2. If a STOP button is not used, a jumper must be placed between terminals 4 and 5.
3. When adding accessories, install them one at a time and test each one after it is added to ensure proper installation and operation with the Commercial Door Operator.



© 2018, LiftMaster

All Rights Reserved

Wi-Fi® is a trademark of Wi-Fi Alliance®.

App Store and the Apple and App Store logos are trademarks of Apple Inc.

Google Play and the Google Play logo are trademarks of Google LLC.

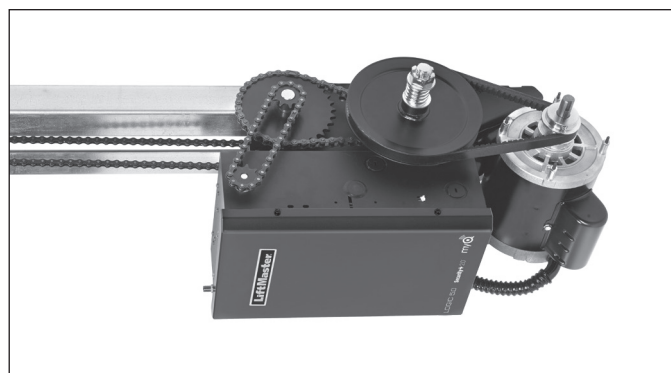
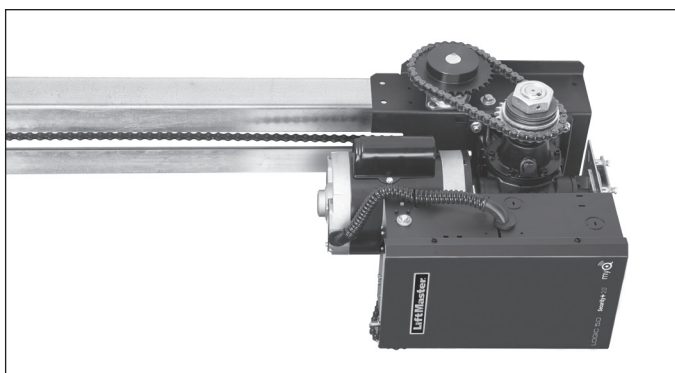
# Actionneur de porte commerciale Logic 5.0

## MANUEL D'INSTALLATION

**Security+ 2.0®**

**myQ®**

### Modèles GSD et SD



#### N'EST PAS DESTINÉ À UNE UTILISATION RÉSIDENTIELLE

- Lire au complet ce manuel et la documentation de sécurité qui l'accompagne avant d'installer ou d'utiliser l'actionneur.
- Ce produit doit être exclusivement installé et entretenu par un technicien dûment formé sur les systèmes de porte.
- Un dispositif surveillé de protection contre le piégeage avec surveillance LiftMaster (LMEP) est EXIGÉ pour les types de câblage B2, T, TS et FSTS.
- Après avoir complété l'installation, tester le ou les dispositifs de protection contre le piégeage avant de placer l'actionneur en service actif.
- Ces actionneurs sont compatibles avec les accessoires myQ® et Security+ 2.0®.

#### GARANTIE DE 2 ANS

No de série \_\_\_\_\_

Date d'installation \_\_\_\_\_



LiftMaster  
300 Windsor Drive  
Oak Brook, IL 60523

# LiftMaster®



# TABLE DES MATIÈRES

<b>INFORMATIONS DE SÉCURITÉ</b>	<b>2</b>	<b>ENTRETIEN</b>	<b>27</b>
<b>INTRODUCTION</b>	<b>3-5</b>	Périodicités d'entretien	27
Contenu de l'emballage	3	Comment commander les pièces de rechange	27
Nécessaires de quincaillerie	3	Fonction de durée de vie de l'ouvre-porte (Odomètre/compteur de cycles)	27
Spécifications de l'ouvre-porte	4	Frein GSD	27
Zone de porte maximale	4	Frein SD	28
Dimensions de l'actionneur	5		
<b>ASSEMBLAGE</b>	<b>6-7</b>	<b>DÉPANNAGE</b>	<b>28-31</b>
<b>INSTALLATION</b>	<b>8-9</b>	Fiche diagnostique	28
Installation Typique	8	Guide de dépannage	29
Maillon fusible (en option)	9	Codes d'erreur de dépannage	30
		Fonctionnalité de dépannage par radio	31
<b>CÂBLAGE</b>	<b>10-11</b>	<b>SCHÉMAS DE CÂBLAGE</b>	<b>32-33</b>
Alimentation et mise à la terre	10	Logic 5.0 Schéma de câblage 1 phase	32
Station de commande	11	Logic 5.0 Schéma de câblage 3 phases	33
<b>PROTECTION CONTRE LE PIÉGEAGE</b>	<b>12-13</b>	<b>ACCESSOIRES</b>	<b>34-36</b>
Protection contre le piégeage avec surveillance LiftMaster (LMEP)	12-13	<b>SCHÉMA DE CONNECTIONS DE COMMANDE</b>	<b>37</b>
<b>RÉGLAGES</b>	<b>14-15</b>		
Réglage de fin de course	14		
Réglage de l'embrayage (Modèle SD)	15		
Réglage du limiteur de couple (Modèle GSD)	15		
<b>TEST</b>	<b>16</b>		
<b>DÉGAGEMENT MANUEL</b>	<b>17</b>		
<b>PROGRAMMATION</b>	<b>18-25</b>		
Introduction à la programmation	18		
Détermination et configuration du type de câblage	19		
Programmation des télécommandes	20-21		
myQ® Smart Facility Access	22		
Programmation des dispositifs myQ®	22		
Système d'alerte d'entretien (MAS)	23		
Ouverture à mi-course	24		
Minuterie de fermeture	24-25		
Mode Concessionnaire automobile	25		
Minuterie de fonctionnement maximal (MRT)	26		
Restauration des valeurs d'usine par défaut - Effacement de la mémoire	26		



# INFORMATIONS DE SÉCURITÉ

## AVERTISSEMENT

Mécanique

## AVERTISSEMENT

Électrique

## ATTENTION

Lorsque vous verrez ces symboles de sécurité et ces mots-indicateurs sur les pages suivantes, ils vous aviseront de la possibilité de **blessures graves** ou **mort** si vous ne vous conformez pas aux avertissements qui les accompagnent. Le danger peut être de source mécanique ou provenir d'un choc électrique. Lisez attentivement les avertissements.

Lorsque vous verrez ce mot-indicateur sur les pages suivantes, il vous alertera de la possibilité de dommage à la porte et/ou à l'ouvre-porte si vous ne vous conformez pas aux avertissements l'accompagnant. Lisez-les attentivement.

### REMARQUES IMPORTANTES :

- *AVANT d'essayer d'installer, de faire fonctionner ou d'assurer l'entretien de l'ouvre-porte, vous devez lire et comprendre intégralement ce manuel et appliquer toutes les instructions de sécurité.*
- *NE PAS ESSAYER de réparer ou d'entretenir votre porte commerciale et le dispositif de fermeture de barrière, à moins d'être un technicien d'entretien agréé.*
- *L'ouvre-porte est conçu pour être installé sur une porte bien équilibrée seulement. S'assurer que la porte est correctement équilibrée avant l'installation.*



**AVERTISSEMENT :** Ce produit peut vous exposer à des produits chimiques comme le plomb, reconnu par l'État de la Californie comme cause de cancers, d'anomalies congénitales et d'autres problèmes liés à la reproduction. Pour plus d'informations, visitez [www.P65Warnings.ca.gov](http://www.P65Warnings.ca.gov).

## INSTRUCTIONS IMPORTANTES CONCERNANT L'INSTALLATION

### AVERTISSEMENT

### POUR RÉDUIRE LE RISQUE DE BLESSURES GRAVES, VOIRE MORTELLES :

1. LIRE ET SUIVRE TOUS LES AVERTISSEMENTS ET TOUTES LES INSTRUCTIONS D'INSTALLATION.
2. L'ouvre-porte doit SEULEMENT être installé sur une porte correctement équilibrée et graissée. Une porte mal équilibrée peut NE PAS inverser sa course en cas de besoin et peut être à l'origine de BLESSURES GRAVES, voire MORTELLES.
3. TOUTES les réparations aux câbles, ensembles de ressort et autres ferrures de montage DOIVENT être confiées à un technicien formé en systèmes de porte AVANT l'installation de l'ouvre-porte.
4. Désactiver TOUTES les serrures et retirer TOUTES les cordes raccordées à la porte AVANT d'installer l'ouvre-porte afin d'éviter un emmêlement.
5. Installer l'ouvre-porte à 2,44 m (8 pi) ou plus au-dessus du plancher.
6. Ne JAMAIS raccorder l'ouvre-porte à une source de courant avant d'avoir reçu l'instruction de le faire.
7. Ne JAMAIS porter de montres, bagues ou vêtements amples durant l'installation ou l'entretien de l'ouvre-porte. Ils pourraient être happés par la porte ou les mécanismes de l'ouvre-porte.
8. Installation de la station de commande :
  - bien en vue de la porte.
  - hors portée des jeunes enfants à une hauteur d'au moins 1,5 m (5 pi) du sol, des paliers, des marches ou de toute autre surface adjacente sur laquelle on marche.
  - à l'écart de TOUTES les pièces mobiles de la porte.
9. Installer la station de commande suffisamment loin de la porte afin d'éviter à l'utilisateur d'entrer en contact avec celle-ci lors de l'utilisation des commandes.
10. Installer le placard d'avertissement contre le piégeage sur le mur adjacent à la station de commande sur un emplacement parfaitement visible depuis la porte.
11. Placer l'étiquette de tests d'inversion de sécurité/d'ouverture manuelle bien en vue à l'intérieur de la porte.
12. Une fois l'installation terminée, veuillez tester le dispositif de protection contre le piégeage.
13. Cet opérateur de porte n'est pas prévu pour remplacer des serrures de porte. En exerçant une force suffisante, une porte sans serrure peut être ouverte. LiftMaster recommande en tout temps d'utiliser des serrures de porte pour sécuriser adéquatement une porte.
14. **CONSERVER CES INSTRUCTIONS.**

# INTRODUCTION

## CONTENU DE L'EMBALLAGE

Avant de commencer votre installation, vérifier que tous les composants ont été fournis.

### DESCRIPTION

Assemblage de la tête motorisée

Manuel d'instructions et étiquettes de précaution

Boîte de quincaillerie (comprend les fixations, les entretoises de rail, le chariot, l'assemblage de bras de porte, la poulie libre avant et le support de montage de linteau)

Station de commande à 3 boutons avec MAS DEL

Chaîne d'entraînement du chariot

**REMARQUE :** Les rails sont expédiés séparément.

### PROTECTION CONTRE LE PIÉGEAGE :

#### Protection contre le piégeage avec surveillance LiftMaster (LMEP)

Des capteurs photoélectriques et/ou des capteurs d'arête contrôlés sont nécessaires pour établir tout contact momentané afin de désactiver les modes d'opération. Consultez les pages 12 et 13 pour de l'information supplémentaire. Pour les options offertes, référez-vous à section « Dispositifs de protection contre le piégeage » les pages 33 et 34.

## NÉCESSAIRES DE QUINCAILLERIE

### NÉCESSAIRE PIÈCE NO

### DESCRIPTION

*K77-10473	Nécessaire de quincaillerie complet pour porte coulissante simple
*K77-10474	Nécessaire de quincaillerie complet pour porte coulissante à deux vantaux
K75-10470	Nécessaire de coulisse de chariot pour porte coulissante simple
K75-10471	Nécessaire de coulisse de chariot pour porte coulissante à deux vantaux
K75-10469	Nécessaire de désaccouplement pour porte
K75-16339	Nécessaire de support mural

NO DE PIÈCE	DESCRIPTION	LARGEUR D'OUVERTURE DE PORTE COULISSANTE SIMPLE						LARGEUR D'OUVERTURE DE PORTE COULISSANTE À DEUX VANTAUX			
		Jusqu'à 2,44 m (8 pi)	3,05 m (10 pi)	3,66 m (12 pi)	4,26 m (14 pi)	4,88 m - 6,1 m (16-20 pi)	6,7 m - 7,32 m (22-24 pi)	Jusqu'à 2,44 m (8 pi)	2,44 m - 3,66 m (8-12 pi)	3,66 m - 4,88 m (12-16 pi)	4,88 m - 6,1 m (16-20 pi)
Voir le tableau	Rail	10-5808	10-5810	10-5812	10-5814	10-5820	10-5824	10-5812	10-5814	10-5820	10-5824
Voir le tableau	Chaîne à rouleaux	19-5114	19-5114	19-5114	19-5114	19-5120	19-5124	19-5114	19-5116	19-5118	19-5120
K75-16339	Supports muraux	4	4	4	4	5	6	4	5	6	6

\* (4) les supports muraux sont inclus dans le nécessaire de quincaillerie. Les portes simples de plus de 4,26 m (14 pi) et les portes à deux vantaux de plus de 2,44 m (8 pi) exigeront des supports supplémentaires, se reporter au tableau.

## SPÉCIFICATIONS DE L'OUVRE-PORTE

### MOTEUR

TYPE : ..... Service continu

### PUISSANCE :

Modèle GSD ..... 1/2, 3/4, 1 et 1-1/2 HP

Modèle SD ..... 1/3, 1/2, 3/4 et 1 HP

VITESSE (à la charge nominale) ..... 1725 tr/min

TENSION : ..... 115/230V 1 Phase  
208/230/460/575V 3 Phases

### COURANT (ampérage) :

Tension-Phase	1/3 HP	1/2 HP	3/4 HP	1 HP	1-1/2 HP
115-1Ø, 60Hz	8,5	11,2	13,6	16	20
230-1Ø, 60Hz	4,2	5,6	6,8	8	10
208/230-3Ø, 60Hz	3	3,1	4	6	7
460-3Ø, 60Hz	1,5	1,75	2	3	3,5
575-3Ø, 60Hz	1,3	1,4	1,6	1,8	2,75

### ÉLECTRIQUE

TRANSFORMATEUR : ..... 24Vca secondaire

STATION DE COMMANDE : ..... Station NEMA 3 boutons  
Ouvrir/Fermer/Arrêter avec DEL

TYPE DE CÂBLAGE : ..... C2 (Standard)  
Contact momentané pour OUVRIR et ARRÊTER,  
pression constante pour FERMER, plus câblage du  
dispositif de protection contre le piégeage pour inverser  
à course de la porte et dispositifs auxiliaires pour ouvrir  
et fermer avec surpassement. Voir page 19 pour types de  
câblages et modes de fonctionnement en option.

RÉGLAGE DE FIN DE COURSE : ..... Conduite linéaire, cames de  
type vis entièrement ajustables. Ajustable à 7,3 m (24 pi).

### SÉCURITÉ

DÉCONNEXION : ..... Bras de porte à déconnexion rapide pour  
fonctionnement manuel d'urgence de la porte.

### PROTECTION CONTRE LE PIÉGEAGE :

Protection contre le piégeage avec surveillance LiftMaster  
(LMEP)

Capteurs photoélectriques (CPS-U) : ..... Un barrage  
photoélectrique est utilisé pour fournir une  
protection contre le piégeage sans contact.

Capteur de chant (en option) : ... Capteur de chant électrique ou  
pneumatique fixé au chant de la porte.

\*Des capteurs photoélectriques et des capteurs d'arrêt contrôlés  
sont nécessaires pour établir tout contact momentané afin de  
désactiver les modes d'opération.

### MECHANICAL

#### RÉDUCTION D'ENTRAÎNEMENT :

Modèle GSD ..... Primaire : 20:1 Réducteur de vitesse  
renforcé à vis sans fin dans bain d'huile  
Sortie : chaîne no 41

Modèle SD ..... Primaire : Courroie trapézoïdale  
(5L) renforcée  
Secondaire : Chaîne no 41 pignon;  
Sortie : Chaîne no 41 (1/3 et 1/2 HP)  
Chaîne no 41 (3/4 et 1 HP)

#### VITESSE DE L'AXE DE SORTIE :

Modèle GSD ..... 113,5 tr/min

Modèle SD ..... 140 tr/min

VITESSE DE LA PORTE (non ajustable) : ..... 28-30 cm  
(11 à 12 po) par seconde

FREIN : ..... Frein à tambour électrique sur 3/4 et 1 HP  
(disponible en option pour 1/3 et 1/2 HP)

Frein à disque électrique standard sur le modèle GSD

ROULEMENTS : ..... Arbre de sortie : Roulement à  
billes avec flasques

Modèle SD ..... Arbre d'embrayage : FerCuivre fritté et  
imprégné d'huile

## ZONE DE PORTE MAXIMALE

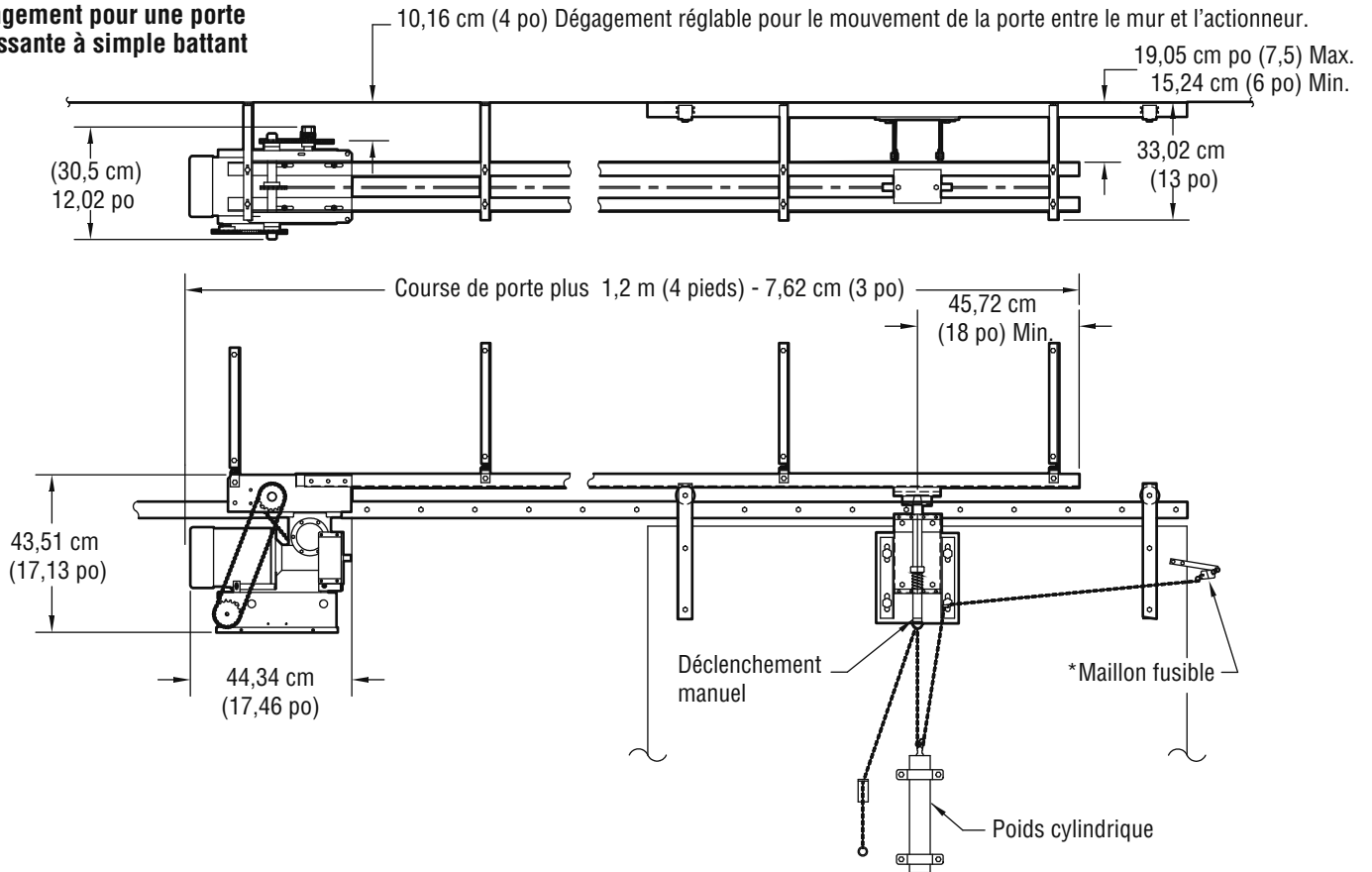
MODÈLE GSD		
Puissance	Poids maximal de la porte (lb)	Zone de porte maximale (pi <sup>2</sup> )
1/2 HP	1400	300
3/4 HP	2200	420
1 HP	2800	520
1-1/2 HP	3400	620

MODÈLE SD		
Puissance	Poids maximal de la porte (lb)	Zone de porte maximale (pi <sup>2</sup> )
1/3 HP	750	180
1/2 HP	1300	260
3/4 HP	1850	340
1 HP	2400	480

## DIMENSIONS DE L'OUVRE-PORTE

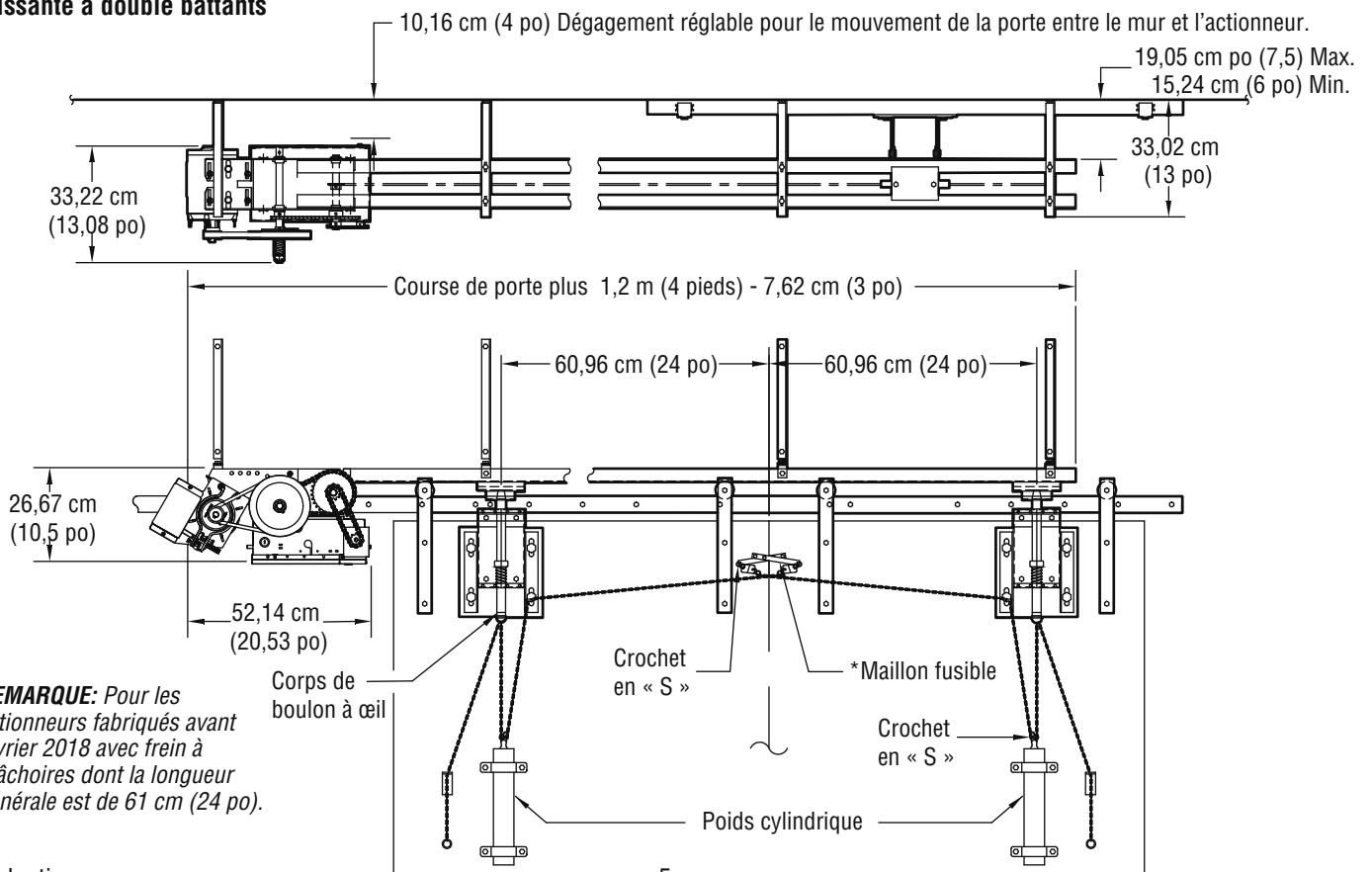
### MODÈLE GSD

Arrangement pour une porte  
couissante à simple battant



### MODÈLE SD

Arrangement pour une porte  
couissante à double battants



**REMARQUE:** Pour les actionneurs fabriqués avant février 2018 avec frein à mâchoires dont la longueur générale est de 61 cm (24 po).

# ASSEMBLAGE

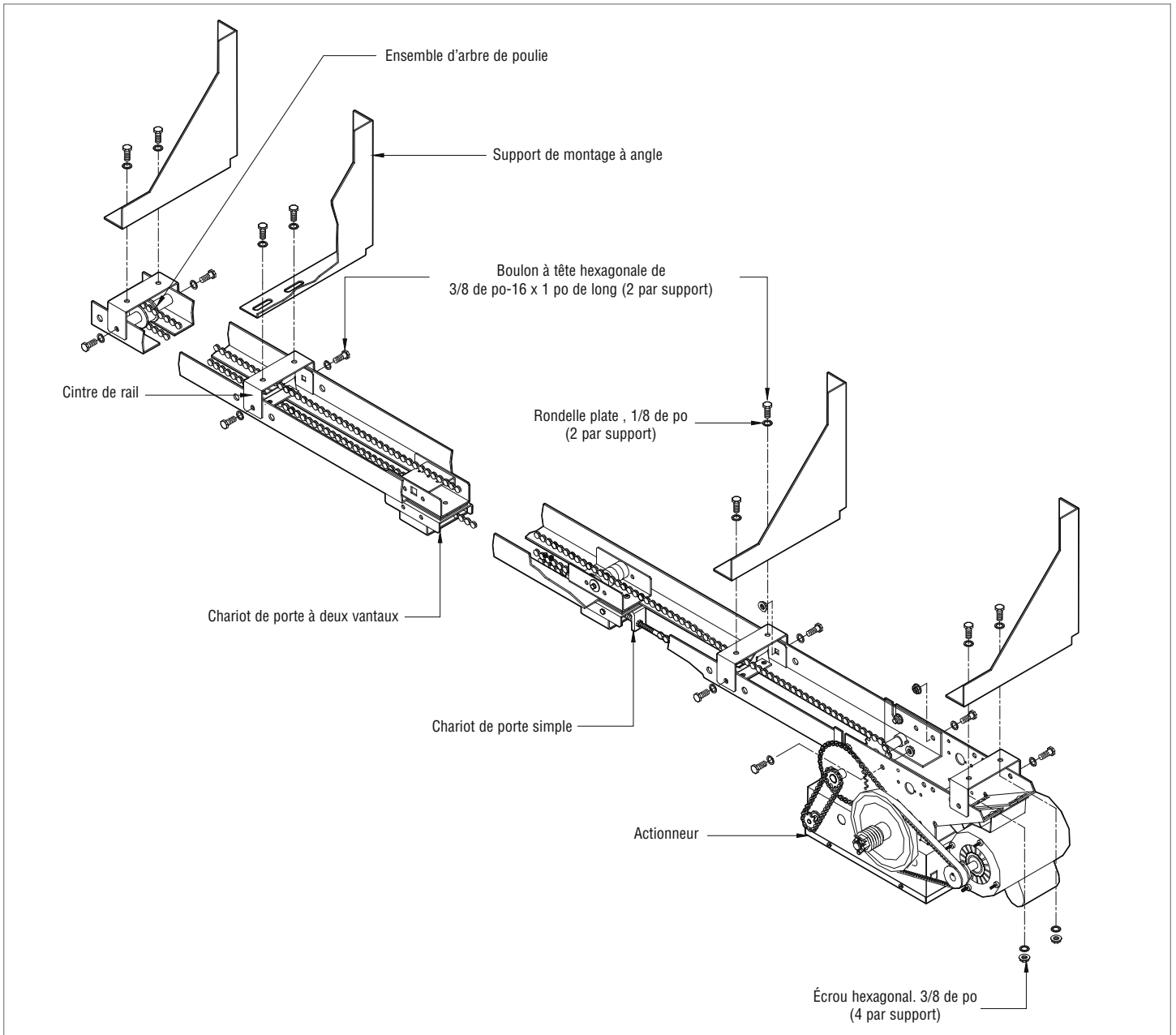
Reporter à la page 7 pour illustrations.

- 1** Étendre les deux pièces du rail sur le sol, parallèlement l'une à l'autre et installer l'arbre de poulie d'extrémité.
- 2** Installer les cintres des rails avec la visserie de 3/8 de po. Le nombre de cintres de rail variera en fonction de la largeur de la porte. Les trous pour l'installation du rail sur les cintres sont prépercés à environ 1,5 m (5 pi) de distance entre eux.
- 3** Installer le boulon de tension sur le chariot à l'aide des deux écrous hexagonaux de 3/8 de po et des rondelles de blocage. Glisser le chariot sur les rails de manière à ce que le boulon de tension soit orienté face à l'actionneur.  
**REMARQUE :** *En ce qui concerne les portes à deux vantaux, glisser d'abord le chariot pour porte à deux vantaux dans le rail, de manière à ce qu'il se trouve le plus près possible de la poulie avant.*
- 4** Installer un cintre de rail final à l'arrière de l'actionneur. Enlever l'entretoise d'écartement fournie et assemblée dans le cadre de l'actionneur. Positionner le rail sur l'ensemble d'actionneur et réinstaller l'entretoise d'écartement dans les rails en serrant bien les boulons. Pour une porte coulissante simple s'ouvrant vers la droite, l'actionneur doit être monté du côté droit du rail, la poulie orientée vers l'extérieur. Installer deux écrous hexagonaux de 3/8 de po-16 x 1 po avec des rondelles et écrous de blocage dans les deux trous de montages restants de l'actionneur.
- 5** Fixer la chaîne au boulon de tension sur le chariot à l'aide du maillon de raccord. Enrouler la chaîne autour de l'engrenage d'entraînement jusqu'à l'arbre de poulie, puis de retour au trou qui se trouve à l'avant du chariot.
- 6** À l'aide deux vis 10-32 x 1-1/4 de po et de la visserie, fixer la chaîne à l'extrémité avant du chariot. Il peut s'avérer nécessaire d'enlever quelques maillons pour obtenir la bonne tension. Serrer la chaîne en réglant le boulon de tension. Une chaîne correctement réglée présentera un mou de 7,6 cm (3 po) en son point milieu.  
**REMARQUE :** *Laisser le chariot à deux vantaux libre à ce stade.*
- 7** Boulonner les supports de montage à angle aux cintres de rail par les fentes des supports. Utiliser les boulons à tête hexagonale de 3/8 de po-16 avec des rondelles plates sous les têtes de même que des rondelles et écrous de blocage sous les cintres de rail. Ne pas serrer, car la distance entre le mur et le rail devra être réglée plus tard.

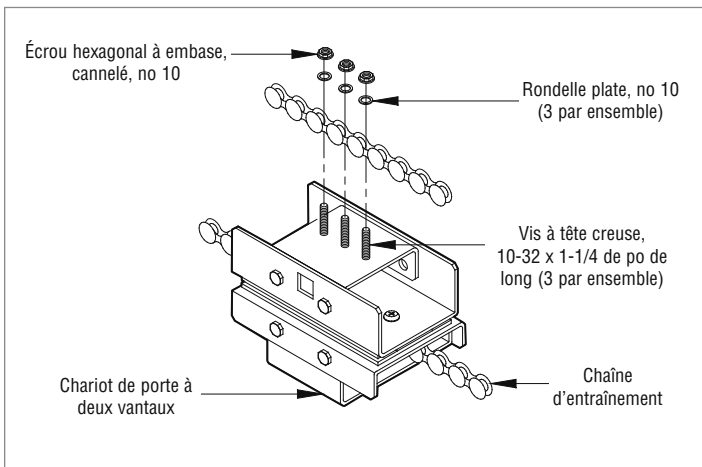
## **AVERTISSEMENT**

Pour empêcher une BLESSURE GRAVE ou une MORT possible :

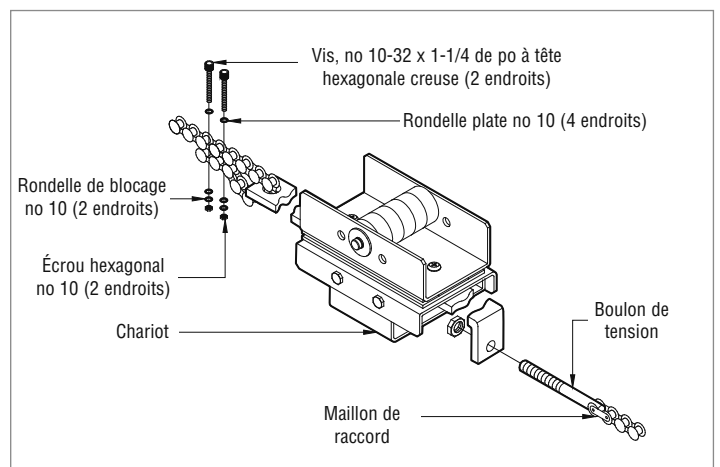
- NE PAS connecter l'alimentation électrique avant d'avoir reçu l'instruction de le faire.
- Si la serrure de porte doit demeurer fonctionnelle, installer un interrupteur de verrouillage.
- TOUJOURS contacter un technicien formé en systèmes de porte si la porte se bloque, colle ou est débalancée. Une porte débalancée peut NE PAS inverser sa course lorsque nécessaire.
- NE JAMAIS essayer de desserrer, déplacer ou ajuster la porte, les ressorts, le câble, les poulies les supports ou leur quincaillerie, qui sont TOUS sous une EXTRÊME tension et qui peuvent causer des BLESSURES PERSONNELLES SÉRIEUSES.
- Désactiver TOUTES les serrures et retirer TOUTES les cordes raccordées à la porte AVANT d'installer et de faire fonctionner l'ouvre-porte afin d'éviter un emmêlement.
- Fixer SOLIDEMENT l'ouvre-porte aux supports de structure du bâtiment.
- Des ancrages à béton DOIVENT être utilisés si des supports sont installés.



### ENSEMBLE DE CHARIOT DE PORTE À DEUX VANTAUX



### ENSEMBLE DE CHARIOT DE PORTE SIMPLE





# INSTALLATION

## INSTALLATION TYPIQUE

**REMARQUE :** Se reporter aux dimensions de l'actionneur dans l'introduction pour de l'information générale.

**1** Déterminer le dégagement nécessaire pour que la porte puisse passer entre l'actionneur et le mur. Cette dimension doit être inférieure à 10,16 cm (4 po); il peut être nécessaire d'ajouter une cale entre les supports de montage à angle et le mur.

**2** La porte étant complètement fermée, localiser la ligne centrale verticale et marquer cette ligne sur le mur au-dessus de la porte. Mesurer 45,7 cm (18 po) à gauche de cette ligne si la porte glisse vers la gauche pour se fermer ou 45,7 cm (18 po) vers la droite de cette ligne si la porte glisse vers la droite pour se fermer.

**REMARQUE :** Pour les portes à deux vantaux, omettre cette étape. Le rail doit s'étendre sur une longueur de 1,06 m (3-1/2 de pi) au-delà de l'ouverture de la porte.

**3** Placer l'actionneur assemblé en position et marquer l'emplacement des trous pour les supports de montage à angle sur le mur, aussi bas que possible, sans toutefois bloquer la course de la porte. Percer des trous dans le mur pour le montage. Des boulons traversants sont recommandés à cette fin. Si la construction du mur ne permet pas d'utiliser des boulons traversants, se servir de tire-fond et de flasques à la place.

**4** Bien fixer l'actionneur au mur.  
**IMPORTANT :** S'ASSURER QUE L'ACTIONNEUR, LE RAIL ET LA GLISSIÈRE DE PORTE SONT PARALLÈLES.  
Vérifier que la porte se dégage de l'actionneur en se déplaçant. Régler les cintres de rail sur les supports de montage à angle à la position désirée et serrer tous les boulons. Il est conseillé d'utiliser au moins une liaison de contreventement (non fournie) en le mur et l'un des cintres de rail pour plus de rigidité, en particulier sur les portes lourdes ou de grande taille.

**5** Monter le mécanisme de désaccouplement de porte sur la ligne centrale de la porte de sorte que le sommet du support se trouve à 3,8 cm (1-1/2 de po) au maximum sous le chariot. Le mécanisme peut être réglé d'avant en arrière et de haut en bas afin d'aligner la tige de désaccouplement. Il peut être nécessaire de placer une cale entre le mécanisme et la porte afin de ramener la tige de désaccouplement sur la ligne centrale du rail.

**REMARQUE :** Pour les portes à deux vantaux, monter chaque mécanisme de désaccouplement de porte centré sur une ligne à une distance de 61 cm (24 po) du chant de la porte.

**6** Déplacer la porte de manière à ce que la tige de désaccouplement soit directement alignée sur le trou dans le chariot et engager la tige dans le trou.

**REMARQUE :** Pour les portes à deux vantaux, il est nécessaire de fermer complètement les portes afin d'assurer une synchronisation adéquate. Les deux tiges de désaccouplement

## ATTENTION

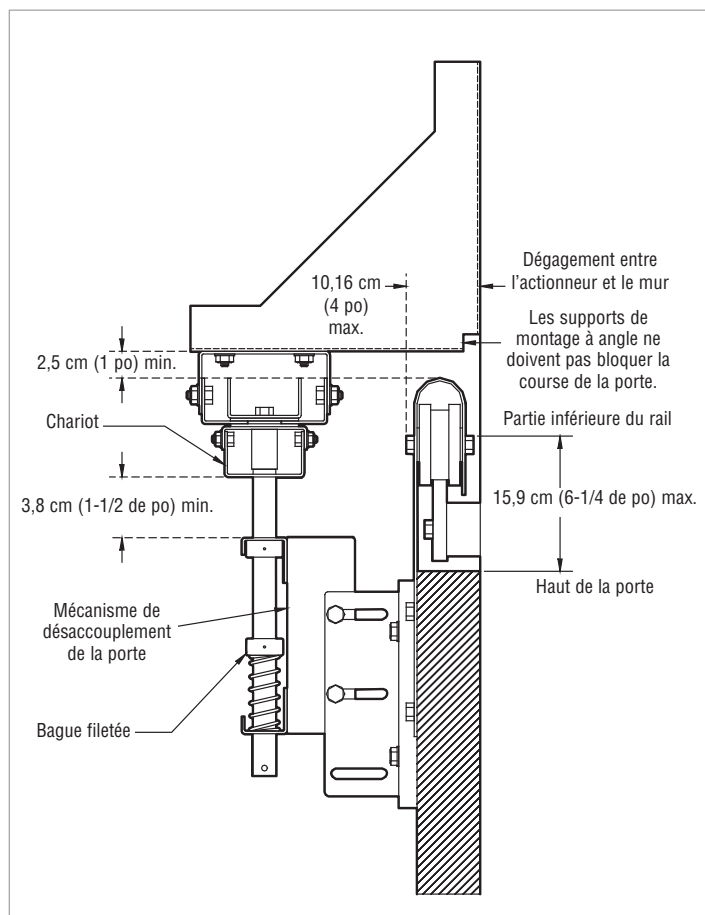
Pour éviter une BLESSURE GRAVE possible causée par un ouvre-porte qui tombe :

- Fixer SOLIDEMENT l'ouvre-porte aux supports de structure du bâtiment.
- Des ancrages à béton DOIVENT être utilisés si des supports sont installés dans de la maçonnerie.

étant engagées dans leur chariot respectif, soulever la chaîne d'entraînement par-dessus les trois goujons sur le chariot de porte à deux vantaux et fixer la chaîne avec la visserie fournie.

**7** Régler les bagues filetées sur la tige de désaccouplement de manière à ce qu'elle pénètre dans le support du chariot d'environ 1,9 cm (3/4 de po).

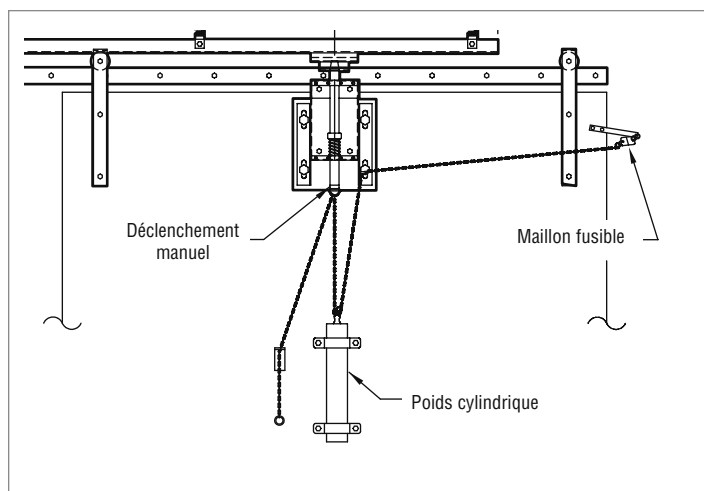
**8** Monter le support de retenue de la chaîne (doté d'une fente de montage) à une hauteur pratique sur la porte, directement sous la chaîne de désaccouplement et alignée sur celle-ci. Monter le support de retenue de la chaîne de manière à ce que le trou de montage se trouve sur un plan horizontal (répéter cette étape pour la porte à deux vantaux).



## MAILLON FUSIBLE (EN OPTION)

**REMARQUE :** Se reporter aux dimensions de l'actionneur dans l'introduction pour de l'information générale.

- 1** Monter le support de retenue de la chaîne sur la porte, à environ 1,2 m (4 pi) au-dessus du sol et à 5,1 cm (2 po) de la ligne centrale de la porte.
- 2** Fixer un boulon à œil à la fente inférieure de l'ensemble de désaccouplement.
- 3** Fixer le support de montage du maillon fusible au bord antérieur supérieur de la porte (15,2 à 30,5 cm [6 à 12 po] sous le sommet de la porte) de manière à ce que le maillon fusible se trouve dans l'ouverture de la porte lorsque celle-ci est ouverte.
- 4** Passer la chaîne à maillon fusible par le boulon à œil, puis par l'œillet du mécanisme à poids, et enfin par le bas de la tige de désaccouplement.
- 5** Soulever le poids à environ 0,9 m (3 pi) du sol et engager la chaîne dans la fente du support de retenue de la chaîne.
- 6** Accoupler la chaîne à elle-même autour du poids de sorte qu'elle ne puisse pas bouger par l'œillet dans le poids.
- 7** Désengager la chaîne et laisser le poids pendre du maillon fusible.
- 8** Laisser un peu de mou entre le poids et la tige de désaccouplement et fixer un anneau à clavette à ressort au maillon de chaque côté de la tige de désaccouplement de manière à ce que la chaîne ne puisse pas passer par le trou.
- 9** Couper l'excès de chaîne, en laissant un bout de 15,24 cm (6 po) pendre sous le support de retenue de la chaîne.
- 10** Fixer un gros anneau à clavette à ressort à l'extrémité de la chaîne.
- 11** Monter le guide de poids sur la porte en laissant le poids ressortir au-dessus du guide de 7,6 à 10,2 cm (3 à 4 po).
- 12** Pour les portes à deux vantaux, installer un deuxième ensemble de maillon fusible sur l'autre porte de la même manière. S'assurer que l'un est plus bas que l'autre afin qu'il n'y ait aucune interférence entre les deux lorsque les portes sont complètement fermées.
- 13** **IMPORTANT :** **TESTER L'INSTALLATION DE DÉSACCOUPEMENT DU MAILLON FUSIBLE COMME SUIT :** Enlever manuellement le maillon fusible du support et laisser le poids tirer sur la tige de désaccouplement. Vérifier que la porte s'est désaccouplée et se déplace librement. Au besoin, régler le ressort sur l'ensemble de désaccouplement en déplaçant la bague supérieure de l'arbre vers le haut ou le bas.



# CÂBLAGE

## ⚠️ ⚡ AVERTISSEMENT

Pour réduire le risque de BLESSURES GRAVES ou de MORT:

- AUCUN entretien de l'ouvre-porte ou dans la zone près de l'ouvre-porte NE DOIT être effectué tant que l'alimentation électrique n'est pas déconnectée et qu'elle n'a pas été verrouillée. Lorsque l'entretien est complété, la zone DOIT être libérée et sécurisée, après quoi l'unité peut être remise en fonction.
- Déconnecter l'alimentation au coffret à fusibles AVANT de procéder. L'ouvre-porte DOIT être mis à la terre correctement et connecté conformément aux codes électriques nationaux et locaux. L'ouvre-porte devrait être sur une ligne à fusible séparée d'une capacité adéquate.

- TOUTES les connexions électriques DOIVENT être faites par un individu qualifié.
- N'installer AUCUN câblage et ne pas tenter de faire fonctionner l'ouvre-porte sans d'abord consulter le schéma de câblage.
- TOUT le câblage d'alimentation devrait être sur un circuit dédié et bien protégé. L'emplacement du raccord d'alimentation devrait être visible et clairement étiqueté.
- TOUT le câblage d'alimentation et de commande DOIT être passé dans des conduits séparés.

## ALIMENTATION ET MISE À LA TERRE

Le câblage d'alimentation et de commande doit être placé dans des conduits séparés conformément aux codes électriques nationaux et locaux. On doit utiliser du fil 14 AWG ou plus gros pour le câblage d'alimentation. Utiliser les entrées défonçables de conduit pour le câblage comme indiqué sur les étiquettes de la boîte électrique.

- 1 Retirer le couvercle de l'ouvre-porte.
- 2 Faire passer les fils d'alimentation jusqu'à la boîte électrique conformément aux codes électriques nationaux et locaux. SUR APPAREILS À TROIS PHASES SEULEMENT : Une connexion incorrecte des phase de l'alimentation fera en sorte que le moteur tourne dans la mauvaise direction. Pour modifier la rotation du moteur, intervertir les fils d'entrée d'alimentation L1 et L2.
- 3 Fixer les fil d'alimentation et de terre aux terminaux appropriés.

**REMARQUE IMPORTANTE :** Cet ouvre-porte doit être mis à la terre correctement. Le défaut de mettre à terre correctement l'ouvre-porte pourrait causer un choc électrique et une blessure sérieuse.

## TABLEAU DE CÂBLAGE D'ALIMENTATION

DISTANCE	CALIBRE
15,2 m (50 pieds)	14 AWG
30,5 m (100 pieds)	12 AWG
61 m (200 pieds)	8 AWG*
106,7 m (350 pieds)	6 AWG*
152,4 m (500 pieds)	4 AWG*
304,8 m (1000 pieds)	2 AWG*

\* Le calibre de fil maximum qui peut être connecté au terminal de l'ouvre-porte est 12 AWG. Lorsqu'un fil de calibre plus gros est nécessaire, le fil doit être réduit à 12 AWG. UTILISER DU FIL DE CUIVRE SEULEMENT.

**REMARQUE :** Dans certaines installations, comme une installation à travers un mur, la rotation du moteur et la carte logique peuvent devoir être modifiés.

1. Localiser le cavalier de DIRECTION DU MOTEUR sur la carte logique. Retirer le cavalier et le relocaliser de STD à REV.
2. Relocaliser l'interrupteur de fin de course de sécurité (SLS) sur le côté opposé.
3. Retirer la décalcomanie CLOSE/OPEN (OUVRIR/FERMER) et replacer de façon appropriée.

**CÂBLAGE EN CUIVRE**  
UTILISER DU FIL DE CUIVRE SEULEMENT 40-10031B

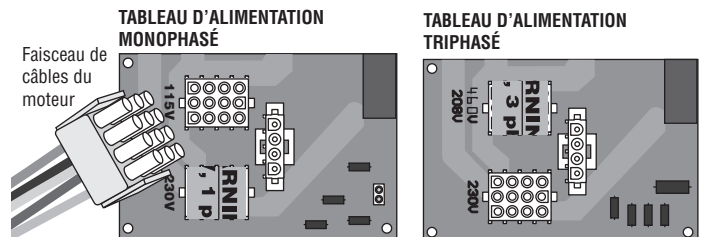
Câblage d'alimentation une phase

Câblage d'alimentation trois phases

## SÉLECTION DE TENSION

Pour tous les actionneurs à l'exception des actionneurs triphasés de 575 V, suivre les étapes ci-dessous. Le faisceau de câbles du moteur est connecté en usine au tableau d'alimentation sur tous les actionneurs triphasés de 575 V.

- 1 Localiser le faisceau de câbles du moteur à l'intérieur du boîtier électrique.
- 2 Sur le TABLEAU D'ALIMENTATION, repérez le contenant qui convient à la tension composée entrante. Enlever l'étiquette de tension et l'apposer à l'intérieur du boîtier électrique pour référence future. Insérez complètement le câble d'alimentation du moteur jusqu'à ce qu'il soit maintenu en place et verrouillé.



Le remplacement d'un fusible sur la carte d'alimentation triphasée ne peut être effectué sur le terrain. Un fusible ouvert indique que la carte d'alimentation triphasée est endommagée et doit être remplacée. Le non-remplacement complet de la carte d'alimentation triphasée peut entraîner des dommages supplémentaires à l'actionneur.

## STATION DE COMMANDE

### **AVERTISSEMENT**

Pour empêcher une BLESSURE GRAVE ou une MORT possible par électrocution :

- S'assurer que l'alimentation N'EST PAS connectée AVANT d'installer la commande de porte.

Pour empêcher une BLESSURE GRAVE ou une MORT possible à cause d'une porte qui se ferme :

- Installer la commande de porte bien en vue de la porte, hors de portée des enfants à une hauteur d'au moins 1,5 m (5 pi) du sol, des paliers, des marches ou de toute autre surface adjacente sur laquelle on marche, et à l'écart de TOUTES les pièces mobiles de la porte
- Installer la station de commande suffisamment loin de la porte afin d'éviter à l'utilisateur d'entrer en contact avec celle-ci lors

de l'utilisation des commandes.

- Installer le placard d'avertissement contre le piégeage sur le mur adjacent à la station de commande sur un emplacement parfaitement visible depuis la porte.
- NE JAMAIS permettre aux enfants de faire fonctionner ou de jouer avec les boutons poussoirs de la commande de porte ou avec les télécommandes.
- Activer la porte SEULEMENT lorsqu'elle peut être vue clairement, qu'elle est correctement ajustée et qu'il n'y a aucune obstruction au déplacement de la porte.
- TOUJOURS garder la porte en vue jusqu'à ce qu'elle soit entièrement fermée. NE JAMAIS permettre à quelqu'un de se trouver dans la trajectoire de la porte qui se ferme.

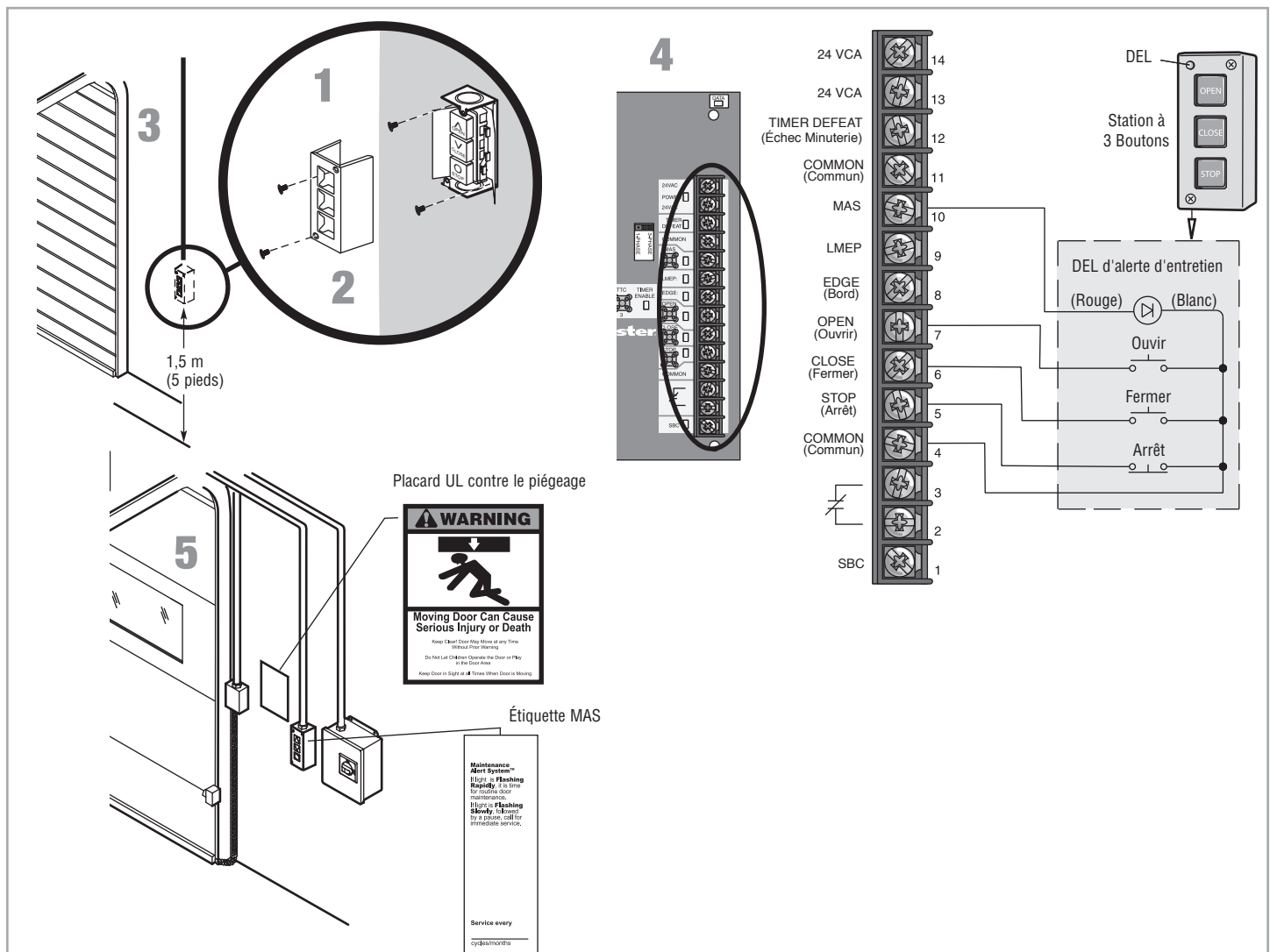
**REMARQUE :** Le câblage du circuit de commande à basse tension nécessite un fil isolé, 20 AWG ou plus. Se référer à la page arrière pour de l'information supplémentaire sur le câblage de commande.

- 1 Retirer le couvercle de la station de commande,
- 2 Fixer la station de commande au mur à au moins 1,5 m (5 pieds) au-dessus du sol. **La surface d'installation doit être lisse et plate.** Fixer l'étiquette MAS au côté de la station de commande.

- 3 Sélectionner l'entrée défonçable appropriée et faire passer les fils jusqu'à l'ouvre-porte.

- 4 Connecter les fils à la station de commande et replacer le couvercle de la station de commande.

- 5 Fixer le placard d'avertissement contre le piégeage à côté de la station de commande.



# PROTECTION CONTRE LE PIÉGEAGE

## PROTECTION CONTRE LE PIÉGEAGE AVEC SURVEILLANCE LIFTMASTER (LMEP)

### RENSEIGNEMENTS IMPORTANTS AU SUJET DES DISPOSITIFS DE PROTECTION CONTRE LE PIÉGEAGE AVEC SURVEILLANCE LIFTMASTER

Un dispositif de protection contre le piégeage avec surveillance LiftMaster (LMEP) est nécessaire pour la plupart des types de câblage (se référer à la page 19). Si un dispositif de protection contre le piégeage avec surveillance LiftMaster n'est pas installé, une pression constante pour fermer sera requise de la station de commande.

Référez-vous à la page des accessoires pour une liste complète des dispositifs de protection contre le piégeage.

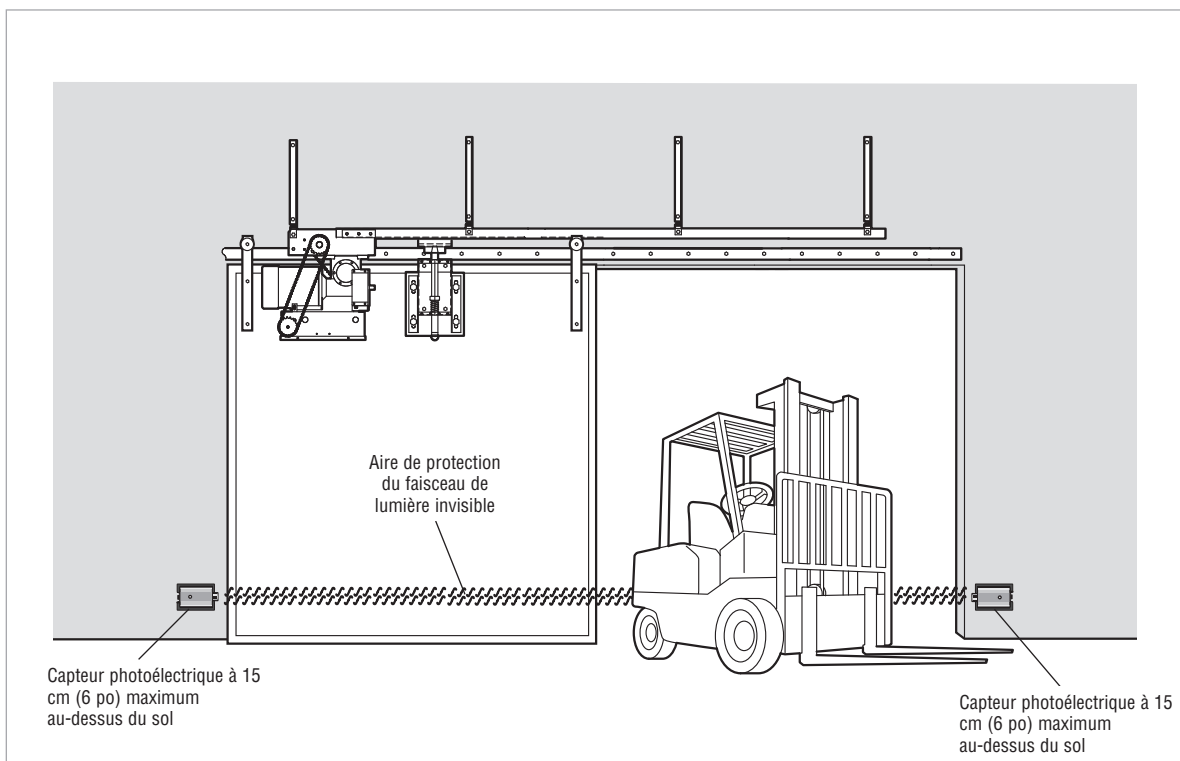
## AVERTISSEMENT

Pour empêcher une BLESSURE GRAVE ou une MORT possible à cause d'une porte qui se ferme :

- S'assurer que l'alimentation N'EST PAS connectée à l'ouvre-porte AVANT d'installer le capteur photoélectrique.
- La porte DOIT être en position entièrement ouverte ou fermée AVANT d'installer le dispositif de Protection contre le piégeage avec surveillance LiftMaster.

Pour éviter une BLESSURE GRAVE, la MORT, le PIÉGEAGE ou un DOMMAGE À LA PROPRIÉTÉ :

- Connecter et aligner correctement le capteur photoélectrique.
- Installer le faisceau du capteur photoélectrique PAS PLUS HAUT que 15 cm (6 po) au-dessus du plancher.
- Il s'agit d'un dispositif de protection contre le piégeage requis pour les câblages de type B2, TS, T et FSTS et QUI NE DOIT PAS être désactivé. Pour les câblages de type D1, C2 et E2, l'installation d'un dispositif de protection contre le piégeage est recommandée.
- Les dispositifs de Protection contre le piégeage avec surveillance LiftMaster sont pour utilisation avec les ouvre-portes commerciaux LiftMaster SEULEMENT. L'utilisation de TOUT autre produit annule la garantie.
- Si un capteur de chant est utilisé sur une porte à glissière horizontale, alors placer un capteur de chant ou plus sur le chant avant et sur le chant arrière.
- Si un capteur d'arête est utilisé sur une porte coulissante verticale, vous devrez installer un ou plusieurs capteurs sur le bord inférieur de la porte.



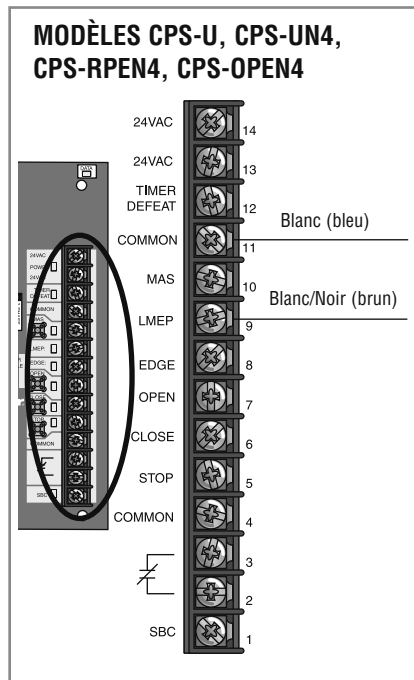
# INSTALLATION DES DISPOSITIFS DE PROTECTION CONTRE LE PIÉGEAGE AVEC SURVEILLANCE LIFTMASTER (LMEP) (FACULTATIVE)

Référez-vous toujours aux directives d'installation incluses avec votre dispositif de protection contre le piégeage LiftMaster (LMEP). Sans un dispositif de protection contre le piégeage correctement installé, l'actionneur ne fonctionnera qu'avec une pression constante pour désactiver le mode de fonctionnement.

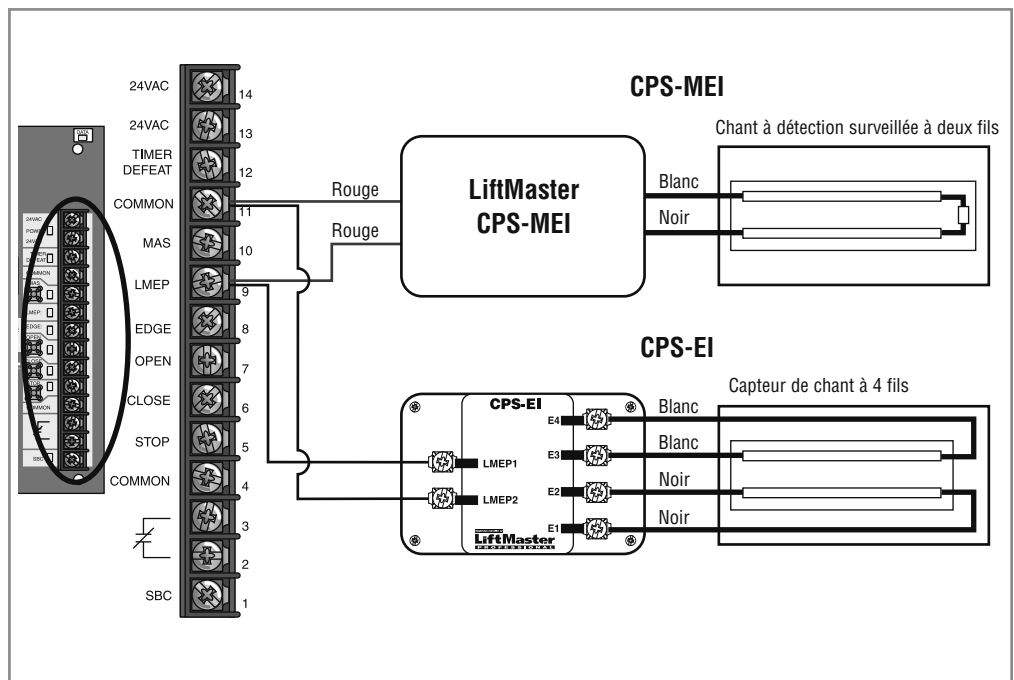
## CÂBLAGE DES DISPOSITIFS DE PROTECTION CONTRE LE PIÉGEAGE AVEC SURVEILLANCE LIFTMASTER (LMEP)

- 1 Connecter le dispositif de Protection contre le piégeage avec surveillance LiftMaster (LMEP) à la carte logique selon les modèles montrés ci-dessous :

### CAPTEUR PHOTOÉLECTRIQUE CONTRÔLÉ



### CAPTEUR D'ARÊTE CONTRÔLÉ



**REMARQUE :** Un seul dispositif de protection contre le piégeage peut être relié à la carte logique. Une carte CPS3CARD (facultative) est requise pour brancher un dispositif LMEP supplémentaire. Des dispositifs de protection contre le piégeage secondaires (non contrôlés et sans contact sec) seront branchés aux terminaux câblés aux capteurs d'ARÊTE (EDGE) et aux terminaux PARTAGÉS (COMMON).



## INSTRUCTIONS DE SÉCURITÉ IMPORTANTES

### AVERTISSEMENT

### POUR RÉDUIRE LE RISQUE DE BLESSURES GRAVES, VOIRE MORTELLES :

1. LIRE ET SUIVRE TOUS LES AVERTISSEMENTS ET TOUTES LES INSTRUCTIONS
2. TOUJOURS garder les télécommandes hors de portée des enfants. NE JAMAIS permettre aux enfants de faire fonctionner ou de jouer avec les boutons poussoirs de la commande de porte ou avec les télécommandes.
3. Activer la porte SEULEMENT lorsqu'elle peut être vue clairement, qu'elle est correctement ajustée et qu'il n'y a aucune obstruction au déplacement de la porte.
4. Le personnel devrait se tenir éloigné de la porte en mouvement et TOUJOURS garder la porte en vue jusqu'à ce qu'elle soit complètement fermée. PERSONNE NE DEVRAIT CROISER LE PARCOURS DE LA PORTE EN MOUVEMENT.
5. PERSONNE NE DEVRAIT ALLER SOUS UNE PORTE ARRÊTÉE, PARTIELLEMENT OUVERTE.
6. Si possible, utiliser la poignée de dégagement pour désengager la porte SEULEMENT lorsque la porte est FERMÉE. Des ressorts fiables ou brisés ou une porte non balancée pourraient faire en sorte qu'une porte ouverte tombe rapidement ou subitement causant une BLESSURE GRAVE ou la MORT.
7. NE JAMAIS utiliser la poignée de dégagement manuelle à moins que l'embrasure de la porte soit libre de toute personne ou obstruction.
8. Après avoir effectué TOUT ajustement, le dispositif de protection contre le piégeage DOIT être testé. Le défaut d'ajuster l'ouvre-porte correctement peut causer une BLESSURE GRAVE ou la MORT.
9. Le dispositif de protection contre le piégeage DOIT être testé chaque mois. Le défaut d'ajuster l'ouvre-porte correctement peut causer une BLESSURE GRAVE ou la MORT.
10. TOUJOURS CONSERVER LA PORTE CORRECTEMENT ÉQUILIBRÉE. Une porte mal équilibrée peut NE PAS inverser sa course en cas de besoin et peut être à l'origine de BLESSURES GRAVES, VOIRE MORTELLES. Consulter le Manuel d'instructions du fabricant de la porte.
11. TOUTES les réparations aux câbles, ensembles de ressort et autres ferrures de montage DOIVENT être confiées à un technicien formé en systèmes de porte.
12. TOUJOURS déconnecter l'alimentation électrique à l'ouvre-porte AVANT de faire une réparation ou de retirer les couvercles.
13. **CONSERVER CES INSTRUCTIONS.**

### RÉGLAGE DE FIN DE COURSE

- 1 Commencer avec la porte en position entièrement fermée pour configurer le réglage de fin de course à la FERMETURE.
- 2 Appuyer sur la plaque de retenue (1) et déplacer l'écrou de fin de course aux limites de FERMETURE (2).

**REMARQUE :** Les DEL de l'interrupteur de fin de course de fermeture (CLS) et de l'interrupteur de fin de course de sécurité (SLS) sur la carte logique s'allument lorsque les interrupteurs sont activés et que l'alimentation est en fonction.

- 3 Lorsque la plaque de retenue est dégagée, vérifier que celle-ci est entièrement placée dans les encoches des écrous de fin de course.
- 4 Ouvrir la porte à la position entièrement ouverte et configurer le réglage de fin de course à l'OUVERTURE (3).

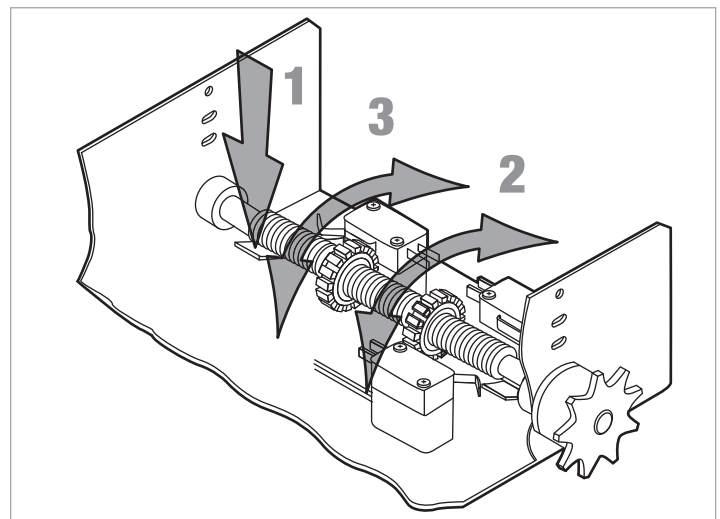
**REMARQUE :** Le DEL de l'interrupteur de fin de course d'ouverture (OLS) sur la carte logique s'allume lorsque les interrupteurs sont activés et que l'alimentation est en fonction.

- 5 Lorsque la plaque de retenue est dégagée, vérifier que celle-ci est entièrement placée dans les encoches des écrous de fin de course.

### AVERTISSEMENT

Pour éviter des BLESSURES personnelles SÉRIEUSES ou la MORT par électrocution :

- Déconnecter l'alimentation électrique AVANT d'effectuer TOUT ajustement ou entretien.



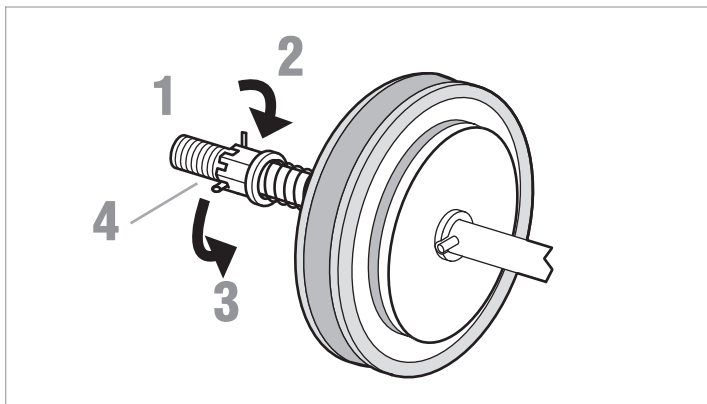
## RÉGLAGE DE L'EMBRAYAGE (MODÈLE SD)

- 1 Retirer la goupille fendue de l'écrou d'embrayage sur l'arbre d'embrayage.
- 2 Tourner l'écrou d'embrayage pour relâcher la tension.
- 3 Resserrer l'écrou d'embrayage jusqu'à ce qu'il y ait juste assez de tension pour permettre le fonctionnement en douceur de la porte et pour permettre à l'embrayage de glisser si la porte est obstruée.
- 4 Fixer l'écrou d'embrayage avec la goupille fendue.

## ⚠️ AVERTISSEMENT

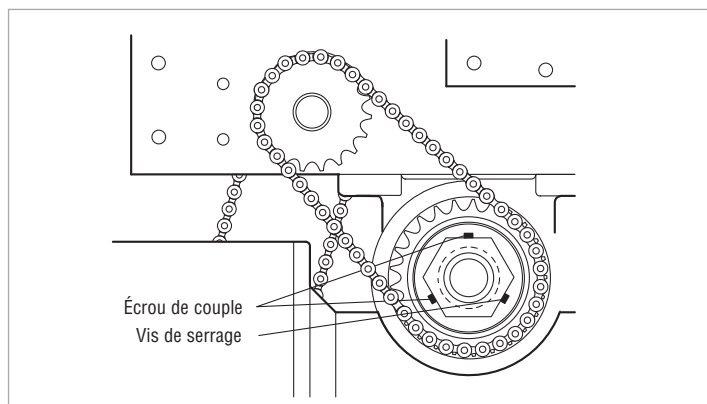
Pour éviter des BLESSURES personnelles SÉRIEUSES ou la MORT par électrocution :

- Déconnecter l'alimentation électrique AVANT d'effectuer TOUT ajustement ou entretien.



## RÉGLAGE DU LIMITEUR DE COUPLE (MODÈLE GSD)

- 1 Desserrer les vis de serrage de l'écrou d'ajustement de couple sur l'engrenage démultiplicateur.
- 2 Reculer l'écrou de couple jusqu'à ce qu'il y ait très peu de tension sur les rondelles Belleville.
- 3 Resserrer graduellement l'écrou de couple jusqu'à ce qu'il y ait juste assez de tension pour permettre à l'ouvre-porte de faire fonctionner la porte en douceur durant un cycle d'ouverture/fermeture complet, mais pour permettre au démultiplicateur de glisser si la porte est obstruée.
- 4 Resserrer la vis de serrage qui est directement au-dessus de la portion plate de l'arbre.



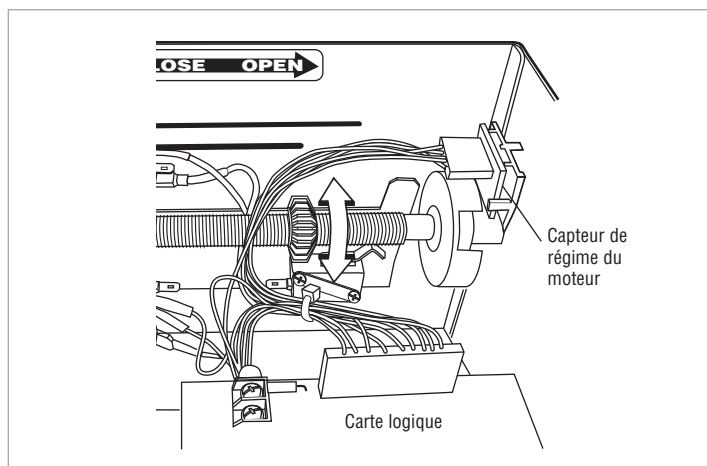
## SYSTÈME D'INVERSEMENT AUXILIAIRE / CAPTEUR DE TR/MIN

Le **Système d'inversement auxiliaire** est conçu pour protéger la porte et l'ouvre-porte motorisé. Celui-ci NE PEUT se substituer à un dispositif de protection contre le piégeage.

**Caractéristique :** Cette caractéristique utilise le capteur de régime du moteur connecté à la carte logique pour détecter quand l'embrayage glisse et inverse la course de la porte (l'embrayage doit être correctement ajusté). De plus, le régime du moteur élimine le besoin d'un interrupteur centrifuge sur les moteurs à une phase.

**Avantage :** Le Système d'inversement auxiliaire inverse l'ouvre-porte lorsqu'il bloque sur une obstruction, ce qui empêche les dommages excessifs à la porte et à l'ouvre-porte. Le modèle UL325 exige l'utilisation de dispositifs de protection contre le piégeage comme méthode primaire de protection. La cause principale des pannes de moteur monophasé est éliminée lorsque l'interrupteur à force centrifuge est retiré. (Le système d'inversion de sécurité ne s'applique pas aux modèles GSD à moins qu'une modification de l'embrayage soit installée.)

**REMARQUE :** Cette fonction est apprise automatiquement et ne nécessite aucune programmation.



Appliquer l'alimentation à l'ouvre-porte.

Lorsque l'alimentation est appliquée à l'ouvre-porte, les DEL suivantes s'allument : STOP (arrêt), CLOSE (fermer), OPEN (ouvrir), LMEP, 24 Vca, RADIO, DATA (données), TIMER ENABLE (permettre minuterie), OLS (inter. fin course ouvert), MID (mi-course), SLS (inter. fin course sécurité), CLS (inter. fin course fermé) et MAS (système d'alerte entretien). Lorsque le processus de démarrage est complété (environ 2 à 3 secondes), seules les DEL appropriées continueront d'être allumées :

- Entre les fins de course : 24 Vca et STOP (arrêt)
- En position entièrement fermée : 24 Vca, STOP (arrêt), Interrupteur de fin de course de fermeture (CLS) et Interrupteur de fin de course de sécurité (SLS)
- En position entièrement ouverte : 24 Vca, STOP (arrêt) et Interrupteur de fin de course d'ouverture (OLS)

Des DEL supplémentaires s'allumeront lorsqu'un ou plusieurs dispositifs sont activés.

**REMARQUE :** Lorsque le processus de démarrage est terminé, la DEL MAS clignotera un code indiquant la version du micrologiciel. Si le cadran de réglage est en position DIAG, OPTN, ou PROG, le MAS ne fournira pas ce code. Après que le code ait été fourni, la DEL MAS s'éteindra.

## TEST DES CAPTEURS PHOTOÉLECTRIQUES (S'IL Y A LIEU)

1. Ouvrir la porte.
2. Placer une obstruction dans le chemin des capteurs photoélectriques.  
Le voyant lumineux DEL du dispositif de protection contre le piégeage clignotera sur la carte logique.
3. Appuyer et tenir le bouton CLOSE (fermer). La porte ne devrait pas se fermer.
4. Retirer l'obstruction.
5. Appuyer et tenir le bouton CLOSE (fermer). La porte devrait se fermer. Si le dispositif de protection contre le piégeage est activé pendant la fermeture de la porte, celle-ci devrait se mettre en marche arrière.

## TESTER LES CAPTEURS DE CHANT (S'IL Y A LIEU)

1. Ouvrir la porte.
2. Placer un obstacle dans la trajectoire de la porte en mouvement.
3. Appuyer et tenir le bouton CLOSE (fermer). La porte devrait s'arrêter et/ou inverser sa course.
4. Retirer l'obstacle et appuyer sur le bouton de fermeture. La porte devrait se fermer complètement.

**REMARQUE :** La carte logique Logic 5.0 programme automatiquement le dispositif de protection contre le piégeage une fois qu'il est branché correctement. Si le dispositif de protection contre le piégeage est mal aligné, activé ou débranché, le voyant DEL du tableau de commande correspondant à ce dispositif de protection contre le piégeage clignotera. Vous pouvez fermer la porte en entrant en mode Fermeture restreinte (RC) en tenant le bouton de fermeture. L'ouvre-porte commencera à fermer après 5 secondes et continuera à fermer jusqu'à la fin de course de fermeture ou lorsque le bouton de fermeture est relâché.

## AVERTISSEMENT

Pour éviter des BLESSURES personnelles SÉRIEUSES ou la MORT :

- Déconnecter l'alimentation électrique AVANT d'effectuer TOUT ajustement ou entretien.
- TOUT entretien DOIT être effectué par un technicien formé en systèmes de porte.

*Pour déprogrammer le dispositif de protection contre le piégeage, placez le cadran à la position DIAG, puis pressez et maintenez enfoncé le bouton d'arrêt jusqu'à ce que le voyant MAS DEL clignote. Sans un dispositif de protection contre le piégeage branché, seuls les modes de fonctionnement B2, D1 ou E2 seront disponibles.*

## TEST DE LA STATION DE COMMANDE À 3 BOUTONS

1. Appuyer sur le bouton OPEN (ouvrir). (La porte devrait se déplacer dans la direction d'ouverture.)
2. Appuyer sur le bouton STOP (arrêter). (La porte devrait s'arrêter.)
3. Appuyer et tenir le bouton CLOSE (fermer). (La porte devrait se déplacer dans la direction de fermeture.)
4. Relâcher le bouton CLOSE (fermer) La porte devrait s'arrêter si elle est en mode C2 ou D1. La porte s'inversera en position entièrement ouverte si en mode E2. La porte devrait continuer à se fermer dans tous les autres modes.
5. Appuyer sur le bouton STOP (arrêter). (La porte devrait s'arrêter.)

## TEST DU RÉGLAGE DE FIN DE COURSE

1. Appuyer sur le bouton OPEN (ouvrir) (La porte devrait s'ouvrir.)
2. Permet à la porte d'ouvrir entièrement.
3. Appuyer et tenir le bouton CLOSE (fermer). (La porte devrait se fermer.)
4. Permet à la porte de se fermer entièrement.
5. Si les fins de course ne sont pas configurées correctement, supprimer l'alimentation et ajuster les fins de course (se référer à la section de réglage de fin de course).

## REMARQUES IMPORTANTES :

- Assurez-vous de lire et de comprendre toutes les instructions de sécurité comprises dans ce manuel.
- Assurez-vous que le propriétaire ou la(les) personne(s) responsable(s) du fonctionnement de la porte aient lu et comprennent les instructions de sécurité, qu'ils sachent comment faire fonctionner électriquement la porte d'une manière sécuritaire et qu'ils sachent comment déconnecter manuellement la porte de l'ouvre-porte.

# DÉGAGEMENT MANUEL

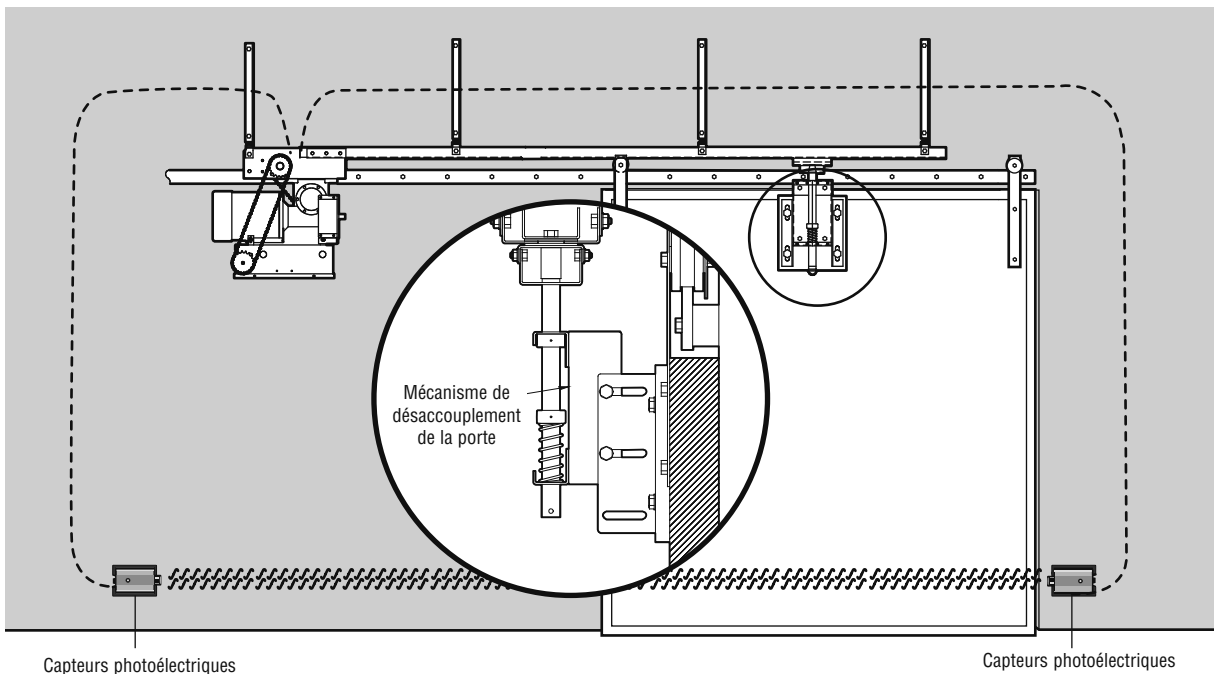
La porte ne peut pas être déplacée manuellement lorsque le chariot est connecté. Toutefois, une tige de désaccouplement rapide et un mécanisme à chaîne sont fournis afin de désaccoupler la porte du chariot. Pour désengager la porte, tirer simplement sur la chaîne et l'engager dans la fente de montage et le support fournis à cet effet. Lorsque le mécanisme est désengagé, la porte peut être ouverte ou fermée manuellement.



## AVERTISSEMENT

Pour empêcher une BLESSURE GRAVE ou une MORT possible à cause d'une porte ou d'un bras qui tombe :

- NE PAS se tenir debout sous le bras de porte lorsqu'on tire le dégagement d'urgence.
- Si possible, utiliser la poignée de dégagement d'urgence pour désengager le chariot SEULEMENT lorsque la porte est FERMÉE. Des ressorts fiables ou brisés ou une porte non balancée pourraient faire en sorte qu'une porte ouverte tombe rapidement ou subitement.
- NE JAMAIS utiliser la poignée de dégagement manuelle à moins que l'embrasure de la porte soit libre de toute personne ou obstruction.



# PROGRAMMATION

## INTRODUCTION À LA PROGRAMMATION

Plusieurs fonctions programmables exigent qu'un dispositif de Protection contre le piégeage LiftMaster (LMEP) soit installé pour fonctionner. Se référer à la section Protection contre le piégeage.

Avant de programmer la carte logique, configurer les fins de course d'ouverture et de fermeture de l'ouvre-porte. Des DEL sont disponibles sur la carte logique pour aider à configurer les fins de course. Se référer à la page 14 pour les instructions de configuration d'interrupteurs de fin de course.

Mettre l'actionneur sous tension.

Lorsqu'une alimentation est fournie à l'actionneur, toutes les DEL s'allumeront à l'exception de la DEL SBC, du relais A, du relais B et de l'annulation de la minuterie.

Lorsque le processus de mise sous tension est terminé (après 2 à 3 secondes environ) seules les DEL appropriées resteront allumées :

Entre les limites : 24 V c.a. et STOP (arrêt)

Position entièrement fermée : 24 V c.a., STOP, CLS et SLS

Position entièrement ouverte : 24 V c.a., STOP et OLS

Des DEL supplémentaires s'allumeront lorsque des dispositifs sont activés.

**REMARQUE :** Lorsque de processus de mise sous tension est complété, la DEL MAS clignotera un code indiquant la version du micrologiciel. Si le cadran de réglage est en position DIAG, OPTN, ou PROG, le MAS ne fournira pas ce code. Après que le code ait été fourni, la DEL MAS s'éteindra.

## BOUTON-POUSSOIRS DE LA CARTE LOGIQUE (OPEN (OUVRIR), CLOSE (FERMER), STOP (ARRÊT))

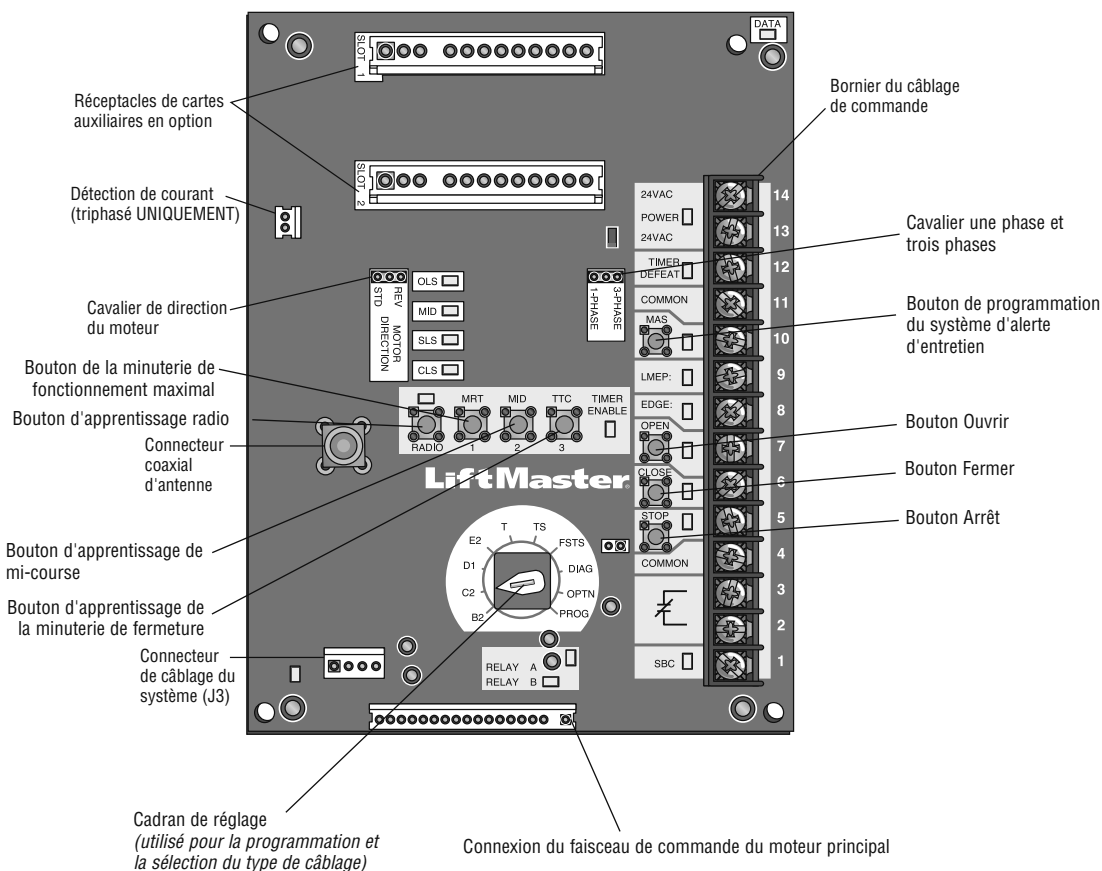
Les boutons OPEN (ouvrir), CLOSE (fermer), STOP (arrêt) sont montés directement sur la carte logique. Ceci facilite la programmation et permet d'avoir la commande de porte à la boîte électrique.

**La commande d'arrêt ou un cavalier DOIT être connecté entre les bornes 4 et 5 pour que les boutons-poussoirs sur la carte fonctionnent.**

## TECHNOLOGIE DE DÉTECTION DE COURANT

Les actionneurs triphasés LOGIC 5.0 sont désormais dotés d'une technologie de détection de courant. Le faisceau de détection de courant est exigé pour le fonctionnement des actionneurs de porte commerciale LiftMaster qui offrent cette fonction. La fonction de détection de courant mesure les surtensions, limite le fonctionnement de l'actionneur dans des conditions de tension élevée et envoie un code d'erreur de 12 clignotements des DEL. Voir la section Code d'erreurs pour le dépannage pour plus d'information.

## VUE D'ENSEMBLE DE LA CARTE LOGIQUE



## DÉTERMINATION ET CONFIGURATION DU TYPE DE CÂBLAGE

Lire les descriptions des différents types de câblage pour déterminer quelle configuration sera correcte pour chaque application. Lorsque le type de câblage est déterminé, configurer le cadran de réglage en conséquence.

### UN DISPOSITIF DE PROTECTION CONTRE LE PIÉGEAGE AVEC SURVEILLANCE LIFTMASTER (LMEP) EST NÉCESSAIRE

Un dispositif de Protection contre le piégeage LiftMaster (LMEP) est **nécessaire** pour les types de câblage suivants.

**B2** Contact momentané pour ouvrir, fermer et arrêter, plus câblage au dispositif capteur pour inverser et dispositifs auxiliaires pour ouvrir et fermer avec surpassement d'ouverture. Arrêt mi-course programmable disponible avec ce type de câblage.

**Compatible avec Station 3 boutons, station 1 bouton et télécommande 3 boutons.**

### TS (Minuterie sécurisée)

Ce mode tentera de fermer la porte à partir de toute position exceptée lorsqu'entièrement fermée, ou lorsqu'une entrée de sécurité est présente. Le bouton d'arrêt ne désactive pas la minuterie de fermeture quelle que soit la position. Pour désactiver la minuterie de fermeture dans ce mode, l'installation d'un interrupteur d'échec est nécessaire (voir schéma de câblage).

Contact momentané pour ouvrir, fermer et arrêter, avec surpassement d'ouverture et minuterie de fermeture. Chaque dispositif qui fait en sorte que la porte s'ouvre, incluant un dispositif d'inversement, active la minuterie de fermeture. Les commandes auxiliaires peuvent être connectées à l'entrée d'ouverture pour activer la minuterie de fermeture. Si la minuterie a été activée, le bouton d'ouverture et la commande radio peuvent recycler la minuterie. La minuterie de fermeture fonctionnera à partir de la mi-course programmable avec ce type de câblage. **Compatible avec Station 3 boutons, station 1 bouton et télécommande 1 et 3 boutons.**

**REMARQUE :** Un « mode concessionnaire automobile » programmable disponible.

**T** Contact momentané pour ouvrir, fermer et arrêter, avec surpassement d'ouverture et minuterie de fermeture. Chaque dispositif qui fait ouvrir la porte, excepté tout dispositif d'entrée de chant de sécurité, active la minuterie de fermeture. Les commandes auxiliaires peuvent être connectées à l'entrée d'ouverture pour activer la minuterie de fermeture.

Si la minuterie de fermeture a été activée, le bouton ouvrir et la commande radio peuvent recycler la minuterie. Le bouton d'arrêt désactivera la minuterie jusqu'à la prochaine entrée de commande. La minuterie de fermeture fonctionnera à partir de la mi-course programmable avec ce type de câblage.

**Compatible avec Station 3 boutons, station 1 bouton et télécommande 1 et 3 boutons.**

**REMARQUE :** « Mode concessionnaire automobile » programmable disponible.

**FSTS** Bouton momentané pour programmation ouvrir, fermer et arrêter. L'utilisateur configure l'arrêt de mi-course. L'utilisateur configure la minuterie de fermeture. La station à 1 bouton ouvre la porte jusqu'à la fin de course entièrement ouvert surpassant la mi-course et active la minuterie de fermeture, mettant l'ouvre-porte en mode TS jusqu'à ce que la porte atteigne la fin de course du bas ou qu'elle soit arrêtée dans sa course. À ce moment, l'ouvre-porte entre en mode B2.

**Compatible avec Station 3 boutons, station 1 bouton et télécommande 1 et 3 boutons.** Une télécommande 1 bouton en mode FSTS ouvrira seulement avec la minuterie de fermeture, surpassant un arrêt à mi-course programmé. La minuterie de fermeture se réinitialisera et s'inversera lors de la fermeture.

### UN DISPOSITIF DE PROTECTION CONTRE LE PIÉGEAGE AVEC SURVEILLANCE LIFTMASTER (LMEP) EST RECOMMANDÉ

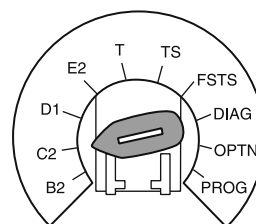
Un dispositif de Protection contre le piégeage LiftMaster (LMEP) est recommandé pour les types de câblage suivants.

**C2** Contact momentané pour ouvrir et arrêter, avec pression constante pour fermer, surpassement d'ouverture, plus câblage au dispositif capteur pour inverser. Arrêt mi-course programmable disponible avec ce type de câblage. **Compatible avec Station 3 boutons et station 1 bouton.**

**E2** Contact momentané pour ouvrir surpassement avec surpassement et pression constante pour fermer. Relâcher le bouton de fermeture fera inverser la porte (caractéristique retour en arrière) plus câblage pour dispositif capteur pour inverser. **Compatible avec station 3 boutons.**

**D1** Pression constante pour ouvrir et fermer avec câblage à dispositif capteur pour arrêter. **Compatible avec station 2 ou 3 boutons.**

### CADRAN DE RÉGLAGE



### REMARQUES IMPORTANTES :

1. Des verrouillages externes peuvent être utilisés avec tous les modes fonctionnels.
2. Les dispositifs auxiliaires sont tout dispositifs qui ont seulement des contacts secs. Exemples : capteur de boucle, capteurs pneumatiques ou électriques, commandes radio, stations à un bouton, cordons de tirage, etc.
3. Surpassement d'ouverture signifie que la porte peut être inversée lors de sa fermeture en activant un dispositif d'ouverture sans avoir à utiliser d'abord le bouton d'arrêt.
4. Lorsque la porte est en position d'arrêt sans être toutefois complètement fermée, et qu'un dispositif de protection contre le piégeage ou un capteur d'ARÊTE est activé, le dispositif de Fermeture restreinte (RC) permettra une commande de fermeture lorsque le bouton de fermeture est pressé et tenu. L'ouvre-porte commencera à se fermer après 5 secondes. Si le bouton de fermeture est relâché, la porte s'arrête.  
En mode E2, la porte se déplacera jusqu'à la position entièrement ouverte.



## PROGRAMMATION DES TÉLÉCOMMANDES

### AVERTISSEMENT

Pour empêcher une BLESSURE GRAVE ou une MORT possible :

- Installer un dispositif de Protection contre le piégeage avec surveillance LiftMaster (LMEP).
- NE JAMAIS permettre aux enfants de faire fonctionner ou de jouer avec les boutons poussoirs de la commande de porte ou avec les télécommandes.

- Activer la porte SEULEMENT lorsqu'elle peut être vue clairement, qu'elle est correctement ajustée et qu'il n'y a aucune obstruction au déplacement de la porte.
- TOUJOURS garder la porte en vue jusqu'à ce qu'elle soit entièrement fermée. NE JAMAIS permettre à quiconque de croiser la trajectoire d'une porte qui se ferme.

Le récepteur radio à 3 canaux Security+ 2.0® vous permet de programmer jusqu'à 90 télécommandes et jusqu'à 30 dispositifs d'entrée dans clé.

**REMARQUE :** La programmation suivante nécessite un dispositif de Protection contre le piégeage avec surveillance LiftMaster (LMEP).

#### TÉLÉCOMMANDE STANDARD

1. Pour commencer la programmation, appuyer et relâcher la bouton RADIO sur la carte logique (la DEL RADIO s'allume).
2. Appuyer et tenir le bouton de la télécommande jusqu'à ce que la DEL RADIO clignote rapidement, puis relâcher la bouton de la télécommande. La DEL RADIO demeurera allumée lorsque le bouton sera relâché. Répéter pour ajouter des télécommandes additionnelles.
3. Appuyer et relâcher le bouton RADIO pour compléter la programmation. Le mode de programmation RADIO se désactive si aucune activité ne se déroule dans un délai de 30 secondes. Les boutons DEL MAS et RADIO clignoteront brièvement pour indiquer que le mode de programmation de la carte RADIO est désactivé pour les télécommandes et les dispositifs d'entrée sans clé. La carte RADIO demeurera en mode de programmation pour 150 secondes supplémentaires afin d'accommoder les dispositifs myQ et s'éteindra entièrement si aucune activité n'est décelée.

#### TÉLÉCOMMANDE À UN BOUTON PROGRAMMÉE COMME UNE COMMANDE À UN BOUTON (SBC)

Cette fonction programme une télécommande comme commande à un bouton sans fil. Cette fonction fonctionne dans les modes suivants :

En mode B2, le fonctionnement est OUVRIR/ARRÊTER/FERMER/INVERSER/ARRÊTER.

En modes T et TS, le fonctionnement est OUVRIR/ARRÊTER/FERMER/INVERSER/ARRÊTER ET minuterie de fermeture démarrer/rafraîchir. **REMARQUE :** Si le mode concessionnaire automobile est activé, SBS sera ouvert seulement lors d'un arrêt à l'ouverture mi-course.

En mode FSTS, le fonctionnement est OUVERT avec minuterie de fermeture démarrer/rafraîchie seulement, surpassant un Ouvrir à mi-course programmé.

1. Appuyer et relâcher le bouton RADIO sur la carte logique (la DEL RADIO s'allume).
2. Pressez et relâchez le bouton SBC branché à l'extérieur ou le bouton TTC de la carte logique (le bouton DEL RADIO clignotera rapidement, puis se stabilisera).
3. Appuyer et tenir le bouton de la télécommande jusqu'à ce que la DEL RADIO clignote rapidement. La DEL RADIO demeurera allumée lorsque le bouton sera relâché.
4. Appuyer et lâcher le bouton RADIO sur la carte logique (la DEL RADIO clignote rapidement puis s'éteint). Le mode de programmation est quitté si aucune activité n'est effectuée durant 30 secondes. Les boutons DEL MAS et RADIO clignoteront brièvement pour indiquer que le mode de programmation de la carte RADIO est désactivé pour les télécommandes et les dispositifs d'entrée sans clé. La carte RADIO demeurera en mode de programmation pour

150 secondes supplémentaires afin d'accommoder les dispositifs myQ et s'éteindra entièrement si aucune activité n'est décelée.

**REMARQUE :** La télécommande à un bouton n'est pas supportée avec les mode de câblage D1 et E2. Le mode C2 effectuera seulement une ouverture et une fermeture lors de l'ouverture.

#### EFFACEMENT DES TÉLÉCOMMANDES

Appuyer et tenir le bouton RADIO sur la carte logique jusqu'à ce que la DEL RADIO clignote rapidement (environ 5 secondes). Toutes les télécommandes seront effacées.

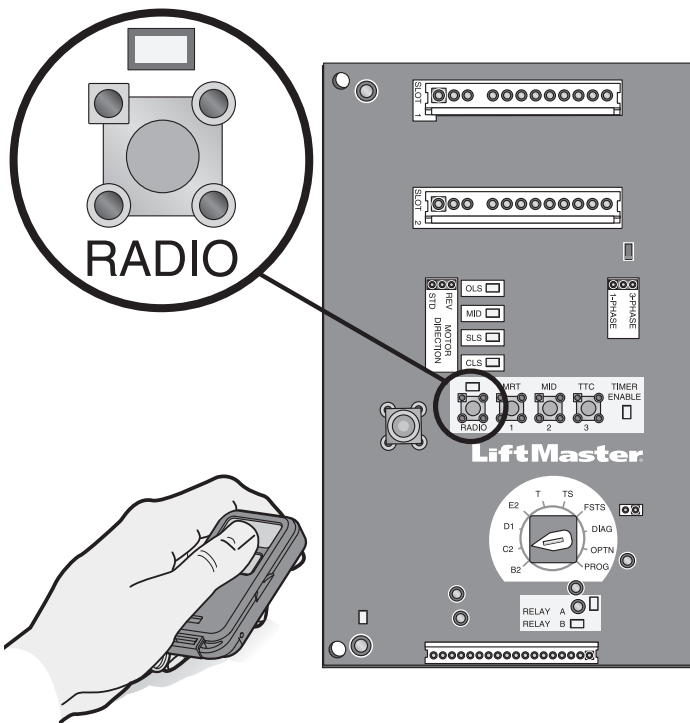
**AVERTISSEMENT :** Cet appareil est conforme aux dispositions de la partie 15 du règlement de la FCC et de l'exemption de licence des appareils radio d'Innovation, Sciences et Développement économique Canada. L'utilisation est assujettie aux deux conditions suivantes : (1) ce dispositif ne peut causer de brouillage nuisible, et (2) ce dispositif doit accepter tout brouillage reçu, y compris tout brouillage pouvant causer un fonctionnement indésirable.

Tout changement ou modification non expressément approuvés par la partie responsable de la conformité pourrait annuler l'autorité de l'utilisateur d'utiliser l'équipement.

Cet appareil doit être installé de manière à laisser une distance d'au moins 20 cm (8 po) entre celui-ci et l'utilisateur ou toute personne.

Cet appareil a été testé et déclaré conforme aux limites d'un dispositif numérique de Classe B, conformément à la partie 15 du règlement de la FCC et de la norme NMB d'Innovation, Sciences et Développement économique Canada. Ces limites ont pour but de fournir une protection raisonnable contre le brouillage nuisible dans une installation résidentielle. Cet équipement génère, utilise et peut émettre des fréquences radio et, s'il n'est pas installé et utilisé conformément aux instructions, peut causer un brouillage nuisible aux communications radio. Cependant, rien ne garantit l'absence de brouillage dans une installation particulière. Si cet équipement cause un brouillage nuisible à la réception radio ou télévisée, ce qui peut être déterminé en éteignant et en rallumant l'équipement, l'utilisateur est invité à tenter de corriger le brouillage en prenant l'une des mesures suivantes :

- Réorienter ou relocaliser l'antenne de réception.
- Augmenter la distance entre l'équipement et le récepteur.
- Connecter l'équipement dans une prise de courant sur un circuit différent de celui auquel le récepteur est branché.
- Pour obtenir de l'aide, consulter le détaillant ou un technicien radio chevronné.



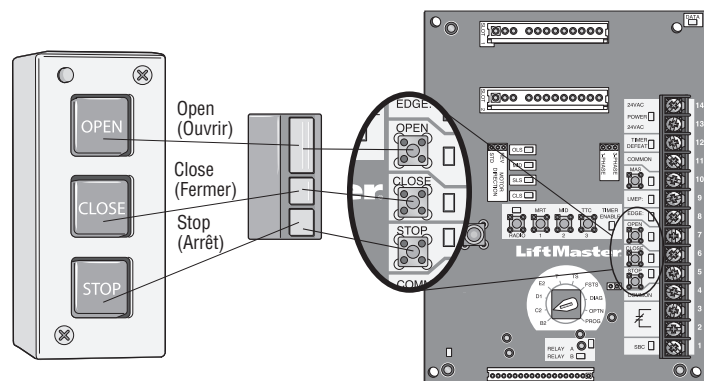
## PROGRAMMATION DES TÉLÉCOMMANDES

**REMARQUE :** La programmation suivante nécessite un dispositif de Protection contre le piégeage avec surveillance LiftMaster (LMEP).

Votre télécommande Security+ 2.0® ou DIP programmable peut être programmée pour fonctionner comme station de commande sans fil à 3 boutons : le gros bouton ouvrira la porte, le bouton du milieu fermera la porte et le troisième bouton arrêtera le mouvement de la porte. Vous pouvez configurer cette fonctionnalité de la façon suivante :

1. Pour commencer la programmation, appuyer et relâcher le bouton RADIO sur la carte logique (la DEL RADIO s'allume).
2. Pour programmer le bouton OPEN (ouvrir) à une télécommande, appuyer et relâcher le bouton OPEN (ouvrir) sur la carte logique. La DEL RADIO clignote puis demeure allumée. Ensuite appuyer sur le bouton correspondant de la télécommande. La DEL RADIO sur la carte logique clignote, ceci confirme qu'elle a été programmée. (En programmant la télécommande vous utilisez 1 canal des 90 canaux sur le récepteur radio.)
3. Pour programmer le bouton CLOSE (fermer) à une télécommande, appuyer et relâcher le bouton CLOSE (fermer) sur la carte logique. La DEL RADIO clignote puis demeure allumée. Ensuite appuyer sur le bouton correspondant de la télécommande. La DEL RADIO sur la carte logique clignote, ceci confirme qu'elle a été programmée. (En programmant la télécommande vous utilisez 1 canal des 90 canaux sur le récepteur radio.)
4. Pour programmer le bouton STOP (arrêt) à une télécommande, appuyer et relâcher le bouton STOP (arrêt) sur la carte logique. La DEL RADIO clignote puis demeure allumée. Ensuite appuyer sur le bouton correspondant de la télécommande. La DEL RADIO sur la carte logique clignote, ceci confirme qu'elle a été programmée. (En programmant la télécommande vous utilisez 1 canal des 90 canaux sur le récepteur radio.)
5. Après l'apprentissage de la télécommande appuyer sur le bouton RADIO sur la carte logique (la DEL RADIO s'éteint).

**REMARQUE :** Si aucune activité n'est décelée dans un délai de 30 secondes, les boutons DEL MAS et RADIO clignoteront brièvement pour indiquer que le mode de programmation de la carte RADIO est désactivé pour les télécommandes et les dispositifs d'entrée sans clé. La RADIO demeurera en mode de programmation pour 150 secondes supplémentaires pour les dispositifs myQ et se s'éteindra entièrement sans activité.



### FUNCTION DE PROGRAMMATION DE LA TÉLÉCOMMANDE

#### Programmation de télécommandes à partir de la station de commande à 3 boutons (3BCS).

Cette fonction permet à l'utilisateur d'ajouter des télécommandes supplémentaires à partir du 3BCS. Par défaut, l'option d'apprentissage de télécommande est hors fonction. **REMARQUE :** Requiert l'accès à la boîte électrique de l'ouvre-porte pour activer ou désactiver cette fonction.

#### Pour activer cette fonction :

1. Tourner le cadran de réglage à PROG.
2. Appuyer et relâcher le bouton RADIO. La DEL RADIO s'allume.
3. Appuyer et relâcher le bouton MID. La DEL RADIO clignote rapidement 6 fois.
4. Appuyer et relâcher le bouton RADIO. La DEL RADIO s'éteint.
5. Ramener le cadran de réglage au type de câblage désiré.

#### Pour ajouter des télécommandes à partir du 3BCS :

1. La porte étant en position entièrement fermée (fin de course de fermeture activée), appuyer et tenir STOP (arrêt).
2. Tout en tenant STOP (arrêt), appuyer et tenir CLOSE (fermer).
3. Tout en tenant STOP (arrêt) et CLOSE (fermer), appuyer et tenir OPEN (ouvrir).
4. Relâcher les trois boutons une fois que la DEL MAS s'est allumée.
5. Apprendre une télécommande par une des méthodes suivantes :
  - a. Programmation d'une télécommande standard à un bouton/une fonction, appuyer et tenir le bouton de la télécommande jusqu'à ce que la DEL MAS s'éteigne. Répéter les étapes 1 à 4 pour ajouter des télécommandes supplémentaires.
  - b. Programmation d'une télécommande 3 boutons/trois fonctions (OUVRIR/FERMER/ARRÊT), appuyer d'abord sur le bouton du 3BCS (Exemple : OPEN (ouvrir)) puis appuyer et tenir le bouton sur la télécommande (Exemple : le gros bouton) que vous désirez correspondre à la commande sélectionnée (Exemple : OPEN (ouvrir)) jusqu'à ce que la DEL MAS clignote et s'éteigne. Répéter les étapes 1 à 4 pour ajouter des boutons supplémentaires (FERMER ET ARRÊT).

#### Pour désactiver cette fonction :

1. Tourner le cadran de réglage à PROG.
2. Appuyer et relâcher le bouton RADIO. La DEL RADIO s'allume.
3. Appuyer et relâcher le bouton MRT. La DEL RADIO clignote rapidement 3 fois.
4. Appuyer et relâcher le bouton RADIO. La DEL RADIO s'éteint.
5. Ramener le cadran de réglage au type de câblage désiré.

**REMARQUE :** Restaurer l'ouvre-porte aux valeurs d'usine par défaut (voir RESTAURATION DES VALEURS D'USINE PAR DÉFAUT) désactivera aussi cette fonction. Les télécommandes seront encore apprises.

## AVERTISSEMENT

Pour éviter des BLESSURES GRAVES, VOIRE MORTELLES :

- Installer un dispositif surveillé de protection contre le piégeage LiftMaster.
  - Ne JAMAIS laisser des enfants faire fonctionner les télécommandes ou les boutons-poussoirs de la commande de porte de garage ou jouer avec ceux-ci.
- Actionner la porte UNIQUEMENT lorsqu'on la voit clairement, qu'elle est bien réglée et que rien ne gêne sa course.
  - Garder TOUJOURS la porte de garage bien en vue jusqu'à sa fermeture complète. Ne JAMAIS laisser personne croiser la trajectoire d'une porte qui se ferme.

### myQ® SMART FACILITY ACCESS

LiftMaster propose une expérience connectée pour les entreprises de toutes tailles et leurs besoins d'accès.

La technologie myQ utilise un signal de 900 MHz pour communiquer de manière sécurisée à partir de vos appareils connectés à des accessoires activés par myQ ou à un réseau Wi-Fi. Une passerelle internet de LiftMaster modèle 828LM ou un pont myQ® Home Bridge modèle 819LMB est nécessaire pour la connectivité internet Wi-Fi. (Voir la page 44, Accessoires)

#### myQ APP

Télécharger l'appli myQ et suivre les invites à l'écran pour connecter vos produits commerciaux. L'appli myQ active la surveillance et le contrôle sécurisés des actionneurs Logic 5.0 et autres accessoires activés par myQ avec un appareil mobile.



- L'appli permet de recevoir des alertes au sujet de l'état d'une porte commerciale par courriel ou notifications poussées sur un appareil mobile.
- L'application myQ peut être téléchargée gratuitement et n'exige aucuns frais annuels d'activation.
- Les actionneurs connectés reçoivent les mises à jour logicielles actuelles.

#### myQ FACILITY MANAGEMENT

myQ Facility Management est une plateforme infonuagique de première classe pour gérer l'accès à un nombre illimité d'installations, d'utilisateurs et de véhicules de n'importe où. Surveillez et contrôlez les portes d'accès véhiculaire, les lieux protégés par barrière et même les positions du quai à partir d'une plateforme universelle.

- Le tableau de bord de l'installation fournit la bonne visibilité des personnes dans tous les points d'accès de l'installation.
- Attribuez l'accès à l'installation en fonction du rôle particulier d'un utilisateur, des permissions du dispositif et des horaires.
- La gestion des notifications fournit la possibilité d'attribuer à des utilisateurs particuliers la visibilité et la connaissance nécessaires pour traiter les problèmes et autres questions hors de l'ordinaire
- La fonction de rapport de veille commerciale fournit à l'installation les données nécessaires pour planifier adéquatement l'entretien en fonction de l'usage du matériel (au lieu d'un entretien préventif calendaire), mieux comprendre les possibilités d'économie d'énergie et assurer le suivi du temps relatif aux heures d'ouverture d'accès.

- Un actionneur de porte de quai connecté procure une visibilité complète des opérations de quai, y compris l'état des événements de la porte, la présence d'une remorque, l'état du niveleur de quai, l'état de la retenue de camion, la détection de chariot élévateur à fourche et l'emplacement de la remorque. L'efficacité générale à chaque position du quai est améliorée.

#### CRÉATION D'UN COMPTE

##### myQ® SMART FACILITY MANAGEMENT

**REMARQUE :** Si un compte myQ® existe déjà, votre compte Smart Facility Management aura le même mot de passe.

1. Appeler le service à la clientèle LiftMaster au 800 323-2276 pour activer un compte Smart Facility Management.
2. Un courriel de bienvenue de LiftMaster avec des instructions pour vous inscrire et vous connecter à votre compte vous sera envoyé.
3. Configurer l'installation et ajouter des utilisateurs et des groupes pour donner accès à l'installation (voir la section d'aide dans Smart Facility Management).
4. Suivre les invites à l'écran pour obtenir votre actionneur de porte commercial Logic 5.0 et des dispositifs supplémentaires connectés.

Aller à myQ.com pour plus d'information au sujet des solutions connectées myQ LiftMaster.

#### PROGRAMMATION DES DISPOSITIFS myQ®

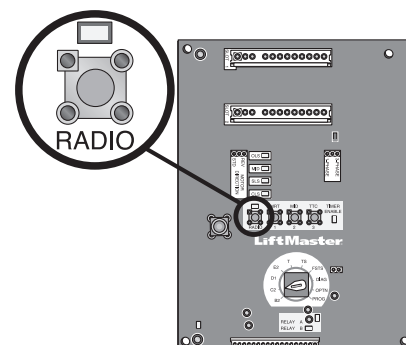
1. Enfoncer et relâcher le bouton RADIO sur la carte logique pour entrer en mode de programmation. Le témoin à DEL du bouton radio s'allumera.
2. Placer le dispositif activé par myQ en mode d'apprentissage, voir les instructions pour le dispositif.
3. Lorsque la programmation est terminée, la DEL RADIO s'éteindra.

**REMARQUE :** L'actionneur quittera le mode de programmation après trois minutes si la programmation n'a pas été terminée, et la DEL RADIO s'éteindra.

#### EFFACEMENT DE TOUS LES DISPOSITIFS ACTIVÉ PAR myQ :

1. Enfoncer et relâcher le bouton RADIO sur la carte logique (la DEL RADIO s'allumera).
2. Tenir le bouton MAS enfoncé pendant 5 secondes. La DEL RADIO clignotera pendant environ cinq secondes et la DEL RADIO s'éteindra.

Tous les dispositifs activés par myQ sont maintenant effacés.



## SYSTÈME D'ALERTE D'ENTRETIEN (MAS)

**Caractéristique :** Un compteur de cycles interne activera une DEL clignotante sur la station de commande à 3 boutons lorsque le nombre prédéfini de cycles ou de mois sera écoulé (selon l'option qui se produit la première). Configurer cette fonction est optionnel. Par défaut, cette fonction ne s'active jamais. Les ouvre-portes Logic 5.0 incorporent un dispositif d'auto-diagnostic dans la DEL du MAS. En plus d'indiquer quand l'entretien de routine est dû, la DEL MAS peut être utilisée pour dépanner certaines problèmes de l'ouvre-porte.

**Avantage :** Le Système d'alerte d'entretien (MAS) aide le revendeur-installateur à établir un programme d'entretien de routine. Une fois programmé, le MAS avise l'utilisateur final (avec une DEL clignotante sur la station à 3 boutons) lorsqu'un nombre prédéfini de cycles/mois est écoulé et que l'entretien prévu est dû.

### Pour programmer :

1. Fermer la porte.
2. Tourner le cadran de réglage à PROG.
3. Appuyer et relâcher le bouton MAS SET.
4. Appuyer sur le bouton STOP (arrêt) une fois pour vider la mémoire MAS.
5. Appuyer sur le bouton OPEN (ouvrir) une fois pour chaque incrément de 5000 cycles. Appuyer sur le bouton CLOSE (fermer) une fois pour chaque incrément de 3 mois.
6. Appuyer et relâcher le bouton MAS pour compléter la programmation. La DEL sur la carte clignotera les réglages programmés. La DEL OPEN (ouvrir) clignotera une fois pour chaque 5000 cycles. La DEL CLOSE (fermer) clignotera une fois pour chaque 3 mois.
7. Ramener le cadran de réglage au type de câblage désiré.

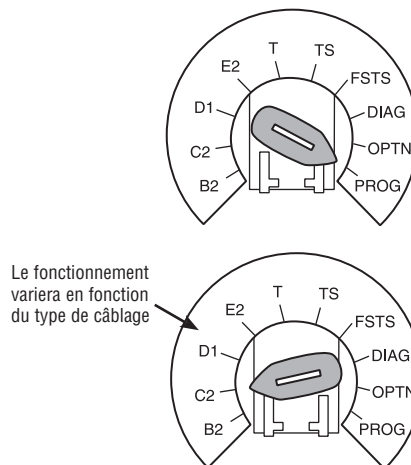
**REMARQUE :** Si la DEL MAS clignote 2 clignotements ou plus de suite suivis d'une pause, une erreur de l'ouvre-porte s'est produite. Tourner à la page 29 pour diagnostiquer le problème.

**Exemple :** Une porte est installée avec des ressorts 30 000 cycles et dispose d'un contrat de service annuel. Pour configurer le MAS, tourner le cadran de réglage à PROG, appuyer sur le bouton MAS, appuyer le bouton STOP (arrêt) pour vider la mémoire puis appuyer sur le bouton OPEN (ouvrir) 6 fois (30 000 cycles) et le bouton CLOSE (fermer) 4 fois (12 mois). Appuyer sur MAS de nouveau pour compléter la programmation. Ramener le cadran de réglage au type de câblage désiré.

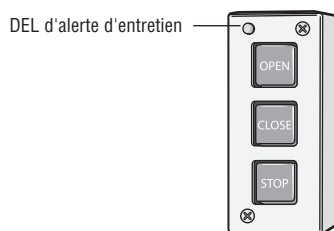
**Remarques spéciales au sujet du MAS :** Un 5ème fil doit être passé à la station de commande pour activer la DEL MAS. La DEL MAS sur la carte logique est toujours activée. Lorsque l'ouvre-porte est entretenu après que la DEL MAS a commencé à clignoter, répéter la procédure de configuration pour programmer le nombre ou les cycles désirés jusqu'à la prochaine visite de service OU appuyer et tenir le bouton MAS durant 5 secondes dans le mode PROGRAM pour restaurer le MAS avec la valeur programmée actuelle. Pour désactiver le MAS, suivre la procédure de programmation ci-dessus et appuyer sur le bouton STOP (arrêt) pour restaurer le compteur à zéro. Chaque fois que l'ouvre-porte quitte la fin de course fermée est compté comme un cycle. Pour voir combien de cycles sont programmés dans le MAS, régler le cadran de réglage à DIAG et appuyer sur le bouton MAS. La DEL du bouton OPEN (ouvrir) clignotera une fois pour chaque incrément de 5 000 cycles programmé et le bouton CLOSE (fermer) clignotera une fois pour chaque incrément de 3 mois programmé.

Pour voir combien de cycles se sont écoulés depuis la dernière fois où le MAS été programmé, régler le cadran de réglage à DIAGNOSTIC et appuyer sur le bouton MAS. Appuyer sur le bouton OPEN (ouvrir); la DEL OPEN (ouvrir) clignotera une fois pour chaque 5 000 cycles qui se sont écoulés. Appuyer sur le bouton CLOSE (fermer); la DEL CLOSE (fermer) clignotera une fois pour chaque 3 mois qui se sont écoulés. Appuyer sur le bouton MAS pour sortir. Ramener le cadran de réglage au type de câblage désiré.

### CADRAN DE RÉGLAGE



### STATION À 3 BOUTONS



Appuyer sur	Pour obtenir
<b>OPEN (OUVRIR)</b>	Ajoute 5 000 cycles au compteur d'activation du Système d'alerte d'entretien.
<b>CLOSE (FERMER)</b>	Ajoute 3 mois à la minuterie d'activation du Système d'alerte d'entretien.
<b>STOP (ARRÊT)</b>	Vide la mémoire, configure le compteur d'activation du Système d'alerte d'entretien à 0 cycles et 0 mois.



## OUVERTURE À MI-COURSE

**Caractéristique :** La fonction mi-course est pour ouvrir la porte à un point prédéterminé avant la position entièrement ouverte.

**Avantage :** La porte s'ouvre à mi-parcours entre ouvert et fermé réduisant les coûts de chauffage et de climatisation. Le cycle de la porte ne sera pas complet, permettant une durée accrue de la porte et de l'ouvre-porte.

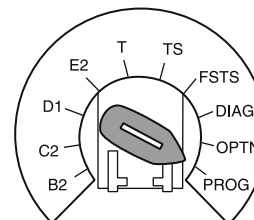
**Pour programmer :**

1. Fermer la porte.
2. Tourner le cadran de réglage à PROG.
3. Appuyer et relâcher le bouton MID sur la carte logique.
4. Appuyer sur le bouton OPEN (ouvrir), attendre que la porte atteigne la hauteur de mi-course désirée, puis appuyer et relâcher le bouton STOP (arrêt).
5. Appuyer et relâcher le bouton MID pour compléter la programmation.
6. Ramener le cadran de réglage au type de câblage désiré.

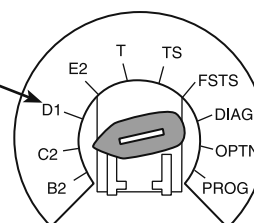
**REMARQUE :** Une commande momentanément ouverte ouvrira la porte en entier à partir de la position mi-course. Quand la porte atteint la position intermédiaire, les capteurs photoélectriques et autres dispositifs de protection contre le piégeage empêchent la porte de s'ouvrir au-delà de la position intermédiaire, sauf en mode E2. La minuterie de fermeture fonctionnera à partir de la mi-course.

Pour annuler le réglage de mi-course, placer le cadran de réglage à PROG puis appuyer et tenir le bouton MID durant 5 secondes. La DEL MID clignotera rapidement et s'éteindra lorsque la mi-course aura été annulée. Ramener le cadran de réglage au type de câblage désiré.

### CADRAN DE RÉGLAGE



Le fonctionnement variera en fonction du type de câblage



## ⚠ AVERTISSEMENT

Pour empêcher une BLESSURE GRAVE ou une MORT possible :

- Installer un dispositif de Protection contre le piégeage avec surveillance LiftMaster (LMEP).
- NE JAMAIS permettre aux enfants de faire fonctionner ou de jouer avec les boutons poussoirs de la commande de porte ou avec les télécommandes.

- Activer la porte SEULEMENT lorsqu'elle peut être vue clairement, qu'elle est correctement ajustée et qu'il n'y a aucune obstruction au déplacement de la porte.
- TOUJOURS garder la porte en vue jusqu'à ce qu'elle soit entièrement fermée. NE JAMAIS permettre à quelqu'un de se trouver dans la trajectoire de la porte qui se ferme.

## MINUTERIE DE FERMETURE

**Caractéristique :** La minuterie enclenche automatiquement la fermeture de la porte une fois la durée d'ouverture préprogrammée expirée. Tous les dispositifs de protection contre le piégeage doivent être dégagés.

**Avantage :** La porte se ferme automatiquement après un temps prédéterminé. Parfait pour les immeubles d'habitation, les postes de pompiers et autres applications où l'utilisateur désire que la porte se ferme automatiquement après une durée spécifiée.

**Exigences :** Au moins un dispositif de Protection contre le piégeage avec surveillance LiftMaster (LMEP) doit être installé (se référer à la page 12). Le type de câblage doit être configuré à TS, T ou FSTS.

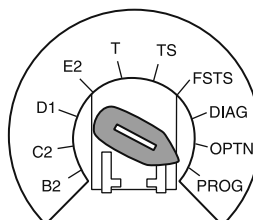
**POUR PROGRAMMER MANUELLEMENT (MÉTHODE 1) :**

1. Fermer la porte.
2. Tourner le cadran de réglage à PROG.
3. Appuyer et relâcher le bouton TIMER (minuterie) sur la carte logique.
4. Appuyer et relâcher le bouton STOP (arrêt) pour vider la minuterie.
5. Appuyer et relâcher le bouton OPEN (ouvrir) pour chaque seconde pendant laquelle l'ouvre-porte devrait attendre avant de tenter de fermer la porte. Appuyer et relâcher le bouton CLOSE (fermer) pour chaque 15 secondes pendant lesquelles l'ouvre-porte devrait attendre avant de fermer la porte.

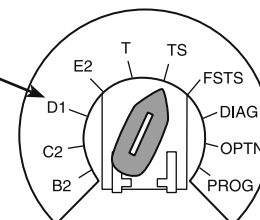
6. Appuyer et relâcher le bouton TIMER (minuterie) pour compléter la programmation. Les DEL OPEN (ouvrir)/CLOSE (fermer) clignotent pour confirmer la configuration de la minuterie. La DEL OPEN (ouvrir) clignote une fois pour chaque seconde programmée et la DEL CLOSE (fermer) clignote une fois pour chaque 15 secondes programmées.
7. Ramener le cadran de réglage au type de câblage désiré pour la minuterie (TS, T ou FSTS).

**Exemple :** Pour fermer la porte après 70 secondes. Tourner le cadran de réglage à PROG, appuyer et relâcher le bouton TIMER (minuterie), appuyer et relâcher le bouton STOP (arrêt) pour vider la minuterie, appuyer et relâcher le bouton CLOSE (fermer) quatre fois pour 60 secondes et appuyer et relâcher le bouton OPEN (ouvrir) 10 fois pour 10 secondes. Appuyer sur le bouton TIMER (minuterie) pour terminer la programmation de la minuterie. Ramener le cadran de réglage au type de câblage désiré pour la minuterie. (TS, T, FSTS).

### CADRAN DE RÉGLAGE



Le fonctionnement variera en fonction du type de câblage



## MINUTERIE DE FERMETURE

### PROGRAMMATION DE LA MINUTERIE DE FERMETURE PAR EXEMPLE (MÉTHODE 2) :

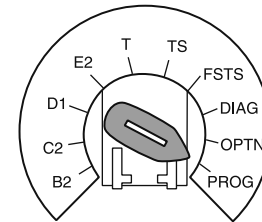
#### POUR PROGRAMMER :

1. Fermer la porte.
2. Tourner le cadran de réglage à PROG.
3. Appuyer et tenir le bouton TIMER (minuterie) durant 5 secondes jusqu'à ce que OPEN (ouvrir) et OLS clignotent puis relâcher.
4. Appuyer et relâcher le bouton OPEN (ouvrir) puis attendre que la porte atteigne la position entièrement ouverte ou mi-course.
5. Attendre que le temps désiré s'écoule. (Un chronomètre interne commence à compter lorsque la porte cesse de bouger.)
6. Appuyer et relâcher le bouton TIMER (minuterie), le bouton CLOSE (fermer) ou le bouton STOP (arrêt) pour arrêter la minuterie. (la DEL TIMER SET (réglage de minuterie) s'allume.)
7. Ramener le cadran de réglage au type de câblage désiré (T, TS ou FSTS).

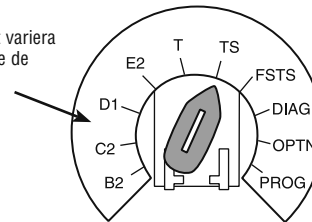
**REMARQUE :** Pour relire le réglage de minuterie de fermeture, ramener le cadran de réglage à DIAG et appuyer sur le bouton TIMER (minuterie). La DEL OPEN (ouvrir) clignote une fois pour chaque seconde programmée et la DEL CLOSE (fermer) clignote une fois pour chaque 15 secondes programmées.

La minuterie sera réactivée lors de la prochaine commande de fonctionnement. Le bouton STOP (arrêt) NE désactivera PAS la minuterie en mode TS. Pour désactiver la minuterie durant plus d'un cycle en mode T ou en mode TS, fixer un interrupteur d'échec à 11 et 12 (COMMON (commun) et TIMER DEFEAT (échec de minuterie)).

#### CADRAN DE RÉGLAGE



Le fonctionnement variera en fonction du type de câblage



## MODE CONCESSIONNAIRE AUTOMOBILE

**Caractéristique :** Le mode Concessionnaire automobile utilise le SBC (entrée de commande à un bouton) pour amener la porte de la position fermée à la position programmée mi-course ouverte et la garder à cet endroit même avec des entrées multiples.

**Avantage :** Permet des économies d'énergie en limitant la hauteur d'ouverture de la porte.

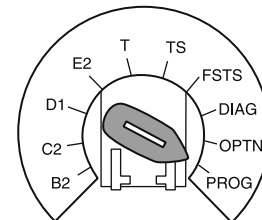
**Exigences :** Cette fonction agit conjointement avec la fonction minuterie de fermeture programmable. Pour activer cette fonction, vous devez d'abord connecter un détecteur, un capteur photoélectrique ou un accessoire capteur de boucle à l'entrée SBC et au moins un dispositif de Protection contre le piégeage avec surveillance LiftMaster (LMEP) doit être installé (se référer à la page 12). Le type de câblage doit être configuré à TS ou T.

#### POUR PROGRAMMER :

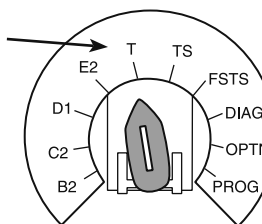
1. Commencer avec la porte en position fermée.
2. Tourner le cadran de réglage à PROG.
3. Appuyer sur le bouton TIMER (minuterie) et le relâcher (la DEL VERTE de TIMER (minuterie) s'allume)
4. Appuyer et relâcher le bouton MID. Ceci active le mode Concessionnaire automobile. (La DEL VERTE TIMER (minuterie) clignotera 6 fois pour indiquer que le mode Concessionnaire automobile est activé.)
5. Appuyer et relâcher le bouton TIMER (minuterie).
6. Ramener le cadran de réglage au type de câblage désiré (TS ou T).

**REMARQUE :** Pour désactiver le mode Concessionnaire, suivre les étapes 2 et 3, puis appuyer sur le bouton MRT et relâcher. (La DEL VERTE TIMER (minuterie) clignotera 3 fois pour indiquer que le mode Concessionnaire automobile est désactivé.)

#### CADRAN DE RÉGLAGE



Le fonctionnement variera en fonction du type de câblage



## MINUTERIE DE FONCTIONNEMENT MAXIMAL (MRT)

**Caractéristique :** L'ouvre-porte peut apprendre le temps nécessaire pour ouvrir ou fermer la porte plus ajouter un 10 secondes supplémentaires.

**Avantage :** Si l'ouvre-porte n'atteint pas la fin de course ouvert ou fermée dans le temps configuré, il s'arrêtera, limitant le dommage à la porte et à l'ouvre-porte.

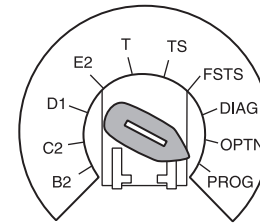
**Pour programmer :**

**REMARQUE :** La configuration par défaut pour le MRT est de 90 secondes. Dans le cas où l'application exige que le MRT soit appris manuellement pour une durée plus longue, effectuer les étapes suivantes.

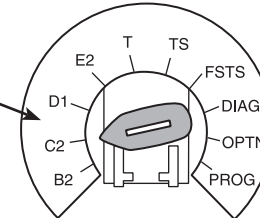
1. Commencer avec la porte en position fermée.
2. Tourner le cadran de réglage à PROG.
3. Appuyer et relâcher le bouton MRT sur la carte logique.
4. Appuyer sur le bouton OPEN (ouvrir) et attendre que la porte atteigne la fin de course entièrement ouvert.
5. Lorsque la porte a atteint la position ouverte, la programmation est complète.
6. Ramener le cadran de réglage au type de câblage désiré.

**REMARQUE :** Pour restaurer le MRT seulement, tourner le cadran de réglage à PROG puis appuyer et tenir le bouton MRT jusqu'à ce que la DEL MAS clignote rapidement.

### CADRAN DE RÉGLAGE



Le fonctionnement variera en fonction du type de câblage



## RESTAURATION DES VALEURS D'USINE PAR DÉFAUT - EFFACEMENT DE LA MÉMOIRE

Pour restaurer la plupart des configurations installées par l'utilisateur aux valeurs d'usine par défaut :

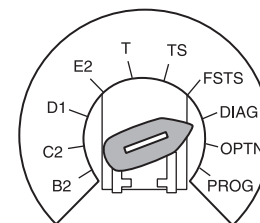
1. Tourner le cadran de réglage à DIAG.
2. Appuyer et tenir le bouton STOP (arrêt) durant 5 secondes. La DEL MAS clignotera un instant puis les valeurs d'usine par défaut seront restaurées.
3. Ramener le cadran de réglage au type de câblage désiré.

**Réglages d'usine par défaut :**

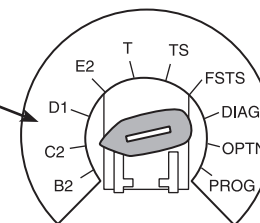
- a. Minuterie de fermeture = 0 seconde.
- b. La mi-course est désactivée.
- c. Le Système d'alerte d'entretien est désactivé.
- d. La Minuterie de fonctionnement maximal est réglée à 90 secondes.
- e. Le mode Concessionnaire automobile est désactivé.
- f. Les télécommandes et dispositifs myQ resteront programmables.
- g. La programmation des télécommandes se fait par la station à 3 boutons.
- h. Le dispositif de Protection contre le piégeage avec surveillance LiftMaster (LMEP) sera déprogrammé.

**REMARQUE :** La fonctionnalité Durée de vie de l'actionneur (odomètre/compteur de cycles), les télécommandes ainsi que les dispositifs myQ programmés ne sont pas supprimés.

### CADRAN DE RÉGLAGE



Le fonctionnement variera en fonction du type de câblage





# ENTRETIEN

## PÉRIODICITÉS D'ENTRETIEN

Pour utilisation avec le Système d'alerte d'entretien.  
Vérifier aux intervalles énumérés dans le tableau suivant :

### **AVERTISSEMENT**

Pour éviter des BLESSURES personnelles SÉRIEUSES ou la MORT :

- Déconnecter l'alimentation électrique AVANT d'effectuer TOUT ajustement ou entretien.
- TOUT entretien DOIT être effectué par un technicien formé en systèmes de porte.

ÉLÉMENT	PROCÉDURE	CHAQUE MOIS	CHAQUE 3 MOIS OU 5000 CYCLES	CHAQUE 6 MOIS OU 10000 CYCLES	CHAQUE 12 MOIS OU 12000 CYCLES
Chaîne d'entraînement	Vérifier s'il y a un mou excessif. Vérifier et ajuster si nécessaire. Lubrifier.		●●		
Pignons	Vérifier si les vis de serrage sont bien serrées.		●		◆
Embrayage	Vérifier et ajuster si nécessaire.			●	◆
Courroie	Vérifier la condition et la tension.			●	◆
Fixations	Vérifier et resserrer si nécessaire.			●	◆
Déconnexion manuelle	Vérifier et faire fonctionner.			●	◆
Roulements et arbres	Vérifier l'usure et lubrifier.		●●		
Protection contre le piégeage avec surveillance LiftMaster (LMEP)	Vérifier l'alignement et la fonctionnalité.	●			

- ◆ **Utiliser l'huile SAE 30 (N'utilisez jamais de graisse ou de silicone en vaporisateur).**
  - Ne pas lubrifier le moteur. Les roulements du moteur sont classés pour un fonctionnement continu.
  - Ne pas lubrifier l'embrayage ou la courroie en V.

- ◆ **Répéter TOUTES les procédures.**
  - Inspecter et faire l'entretien chaque fois qu'un mauvais fonctionnement est observé ou suspecté.

## COMMENT COMMANDER LES PIÈCES DE RECHANGE

NOTRE IMPORTANTE ORGANISATION DE SERVICE COUVRE L'AMÉRIQUE

Des renseignements concernant l'installation et le service sont disponibles. Appelez notre numéro SANS FRAIS :

**1-800-528-2806** - LiftMaster.com

## FONCTION DE DURÉE DE VIE DE L'OUVRE-PORTE (ODOMÈTRE/COMPTEUR DE CYCLES)

L'ouvre-porte est muni d'un odomètre pour afficher depuis combien de mois et de cycles l'ouvre-porte a fonctionné depuis le moment où il a été installé. Cette caractéristique peut aider à déterminer depuis combien de temps l'ouvre-porte a été en service.

1. Commencer avec la porte en position fermée.
2. Tourner le cadran de réglage à DIAG (mode diagnostique).
3. Appuyer et relâcher le bouton MAS sur la carte logique.
4. Appuyer et relâcher le bouton MRT sur la carte logique.
5. Lest témoins ouvert et fermé clignoteront. OPEN (ouvrir) pour chaque 5000 cycles et CLOSE (fermer) pour chaque 3 mois.
6. Ramener le cadran de réglage au type de câblage désiré.

**REMARQUE :** Si l'ouvre-porte n'a pas atteint 5000 cycles ou 3 mois, il n'y aura aucune indication.

## FREIN GSD

Un frein électrique est standard sur le modèle GSD. Le frein est ajusté en usine et ne devrait pas nécessiter d'ajustement supplémentaire pour la durée de vie de l'ensemble de frein.

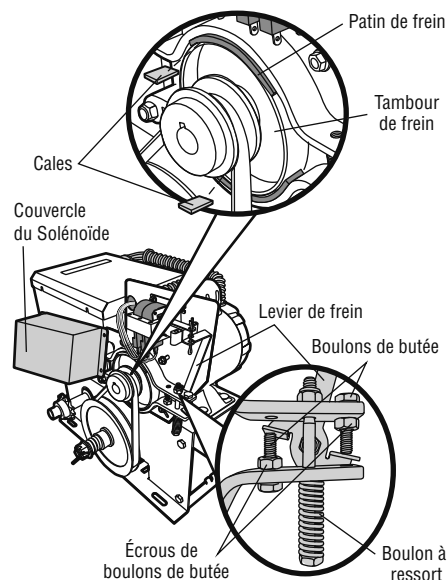
Inspecter les plaquettes de frein et remplacer l'ensemble de frein si nécessaire.

## FREIN SD

Un frein à tambour est standard sur le modèle SD. Le frein est ajusté en usine et ne devrait pas nécessiter d'ajustement supplémentaire pour la durée de vie de l'ensemble de frein.

### RÉGLAGE DU FREIN À TAMBOUR :

1. Activer manuellement le frein en tenant le levier du frein vers l'arrière et insérer un type de cale (une carte de visite ou un morceau de papier plié fera l'affaire) entre le patin du frein et le tambour du frein aussi loin que possible du boulon à ressort, tout en continuant d'insérer la cale entre le patin du frein et le tambour du frein. Relâcher le levier du frein. Cela créera l'espace nécessaire pour garantir que le frein ne traîne pas lorsque la porte est en mouvement.
2. Serrer les deux boutons de butée jusqu'à ce qu'ils entrent en contact avec le levier. Fixer les boutons de butée en place en serrant les écrous des boulons de butée. Enlever la cale utilisée à l'étape 1.
3. Serrer ou desserrer le boulon à ressort pour augmenter ou relâcher la force de freinage.
4. Connecter l'alimentation à l'actionneur. Faire fonctionner l'actionneur et s'assurer que le frein fonctionne correctement.
5. Faire tout réglage nécessaire. Si le solénoïde bourdonne pendant qu'il fonctionne, desserrer le boulon à ressort jusqu'à ce que le bourdonnement cesse lorsque l'actionneur est en mouvement. Un solénoïde qui bourdonne exercera une contrainte sur ce dernier et pourrait entraîner sa défaillance précoce.



## DÉPANNAGE

### FICHE DIAGNOSTIQUE

La carte logique a plusieurs DEL pour aider à l'installation et au dépannage de l'ouvre-porte. Le tableau suivant devrait aider à vérifier si l'ouvre-porte fonctionne correctement. Tourner le cadran de réglage à DIAG pour empêcher la porte de bouger durant le dépannage.

DEL	COULEUR	DÉFINITION
Power (alim.)	Vert	Indique que l'alimentation est générée pour la carte logique.
Stop (Arrêt)	Vert	Indique un circuit fermé entre le commun et la borne 5. Appuyer sur Stop (arrêt) devrait éteindre cette DEL.
Open (Ouvrir)	Jaune	Indique un circuit fermé entre le commun et la borne 7. Appuyer sur le bouton Open (ouvrir) devrait allumer cette DEL.
Close (Fermer)	Jaune	Indique un circuit fermé entre le commun et la borne . Appuyer sur le bouton Close (fermer) devrait allumer cette DEL.
LMEP	Vert	Un voyant lumineux non clignotant indique qu'un dispositif de protection contre le piégeage est programmé. Un voyant clignotant indique que les capteurs doivent être reconnectés ou activés, ou déprogrammés si supprimés**. Un voyant lumineux non clignotant indique qu'aucun capteur n'est programmé.
Échec de minuterie	Jaune	Allumé en continu indique un circuit fermé entre le commun et la borne 12. Minuterie de fermeture ne se ferme pas.
OLS	Jaune	Appuyer sur l'interrupteur de fin de course ouvert devrait allumer cette DEL. Indique que l'interrupteur de fin de course (direction ouverture) est activé.
CLS	Jaune	Appuyer sur l'interrupteur de fin de course fermé devrait allumer cette DEL. Indique que l'interrupteur de fin de course (direction fermeture) est activé.
SLS	Jaune	Appuyer sur l'interrupteur de fin de course de sécurité devrait allumer cette DEL. Indique que le capteur de l'interrupteur de fin de course est activé.
Edge (chant)	Jaune	Indique un circuit fermé entre le commun et la borne 8. Appuyer sur le chant devrait allumer cette DEL.
Mid Stop (mi-course)	Jaune	Allumé en continu indique que la porte est arrêtée dans sa course vers le haut ou le bas à mi-course.
Minuterie activée	Vert	Allumé en continu indique que TIMER (minuterie) est programmé et s'activera à partir de la position ouvert ou mi-course. Clignotant indique que la minuterie compte à rebours et que la porte se fermera après la durée prédéterminée. Chaque clignotement représente une seconde de temps préprogrammé.
SBC	Jaune	Indique un circuit fermé entre le commun et la borne 1. Appuyer sur la station de commande à un bouton devrait allumer cette DEL.
MAS	Jaune	Indique que le Système d'alerte d'entretien a été activé ou qu'un code d'erreur a été déclenché.
Relais A	Jaune	Indique qu'une commande d'ouverture ou de fermeture a été donnée au moteur. La DEL s'allume lorsque le bouton OPEN (ouvrir)/CLOSE (fermer) est pressé.
Relais B	Jaune	Indique qu'une commande d'ouverture ou de fermeture a été donnée au moteur. La DEL s'allume lorsque le bouton OPEN (ouvrir)/CLOSE (fermer) est pressé.
DATA (données)	Vert	Indique une communication entre la carte Logic 5.0 et une TLS1CARD optionnelle.

\*\* FERMETURE RESTREINTE. Cette méthode vous permet de fermer la porte lorsque le ou les dispositifs LMEP ne fonctionnent plus. Appuyer et tenir le bouton CLOSE (fermer) jusqu'à ce que la porte atteigne la fin de course fermée. Si le bouton CLOSE (fermer) est relâché avant que la porte atteigne la fin de course fermée, l'ouvre-porte s'arrête et la procédure doit être répétée pour fermer complètement la porte.

## GUIDE DE DÉPANNAGE

DÉFAUT	CAUSE POSSIBLE	CORRECTION
UN DÉCLIC DU RELAIS SE FAIT ENTENDRE LORSQU'UNE COMMANDE A ÉTÉ DONNÉE JUSTE AVANT LE MOUVEMENT DU MOTEUR. LA DEL DU RELAIS SUR LE TABLEAU CLIGNOTE EN MÊME TEMPS QUE LE DÉCLIC EST ÉMIS.	Ceci est tout à fait normal.	Aucune mesure n'est nécessaire. Voir Présentation de la carte logique (page 18) pour plus d'information sur la détection de courant.
L'OUVRE-PORTE NE RÉPOND À AUCUNE COMMANDE.	a) Pas d'alimentation.	<ul style="list-style-type: none"> <li>➤ A) S'assurer que l'alimentation est connectée aux bornes L1, L2 et L3.</li> <li>B) Vérifier le faisceau de câbles et s'assurer qu'il est connecté au bon connecteur d'alimentation.</li> <li>C) Vérifier le transformateur.</li> </ul>
	b) Poste de commande mal connecté ou mal câblé	➤ Utiliser les DEL OPEN (ouvrir), CLOSE (fermer) et STOP (arrêt) pour aider à vérifier si le câblage est correct. Vérifier que la carte accepte les commandes en utilisant la station embarquée. La DEL verte en regard du bouton d'arrêt doit être allumée.
	c) L'interrupteur de verrouillage est activé.	➤ Vérifier les verrouillages. Si plus d'un verrouillage externe est présent, ils doivent être câblés en série. La DEL verte à côté du bouton STOP (arrêt) doit être allumée.
	d) Le cadran est encore en mode PROG, OPTN, ou DIAG.	➤ Régler le cadran sur le type de câblage désiré.
	e) Le moteur fonctionne mal.	➤ Vérifier qu'une tension adéquate est fournie au moteur (vérifier la plaque signalétique du moteur).
	f) La surcharge thermique du moteur s'est déclenchée.	➤ Vérifier si le moteur est chaud. Laisser le moteur refroidir avant de tenter de bouger la porte. Faire effectuer un cycle à l'ouvre-porte en pression constante un cycle complet. (Ouvert (OPEN) et fermé (CLOSE) pour restaurer le défaut)
	g) Mauvais fonctionnement possible d'un accessoire.	➤ Déconnecter tous les dispositifs, les relier un à la fois en testant la présence de défaut après que chacun soit rajouté.
	h) La carte d'alimentation peut devoir être remplacée.	➤ Lorsque le bouton d'ouverture (OPEN) ou de fermeture (CLOSE) est enfoncé, la DEL du relais A ou B devrait s'allumer et la porte devrait se déplacer dans la direction correspondante. Si la DEL du relais A ou B s'allume et que la porte ne se déplace pas, il faudra peut-être remplacer le tableau d'alimentation.
	i) Défaut possible de la carte logique.	➤ Remplacer la carte logique.
LA DEL D'ALIMENTATION NE S'ALLUME PAS.	a) Connexions de câblage secondaires desserrées ou transformateur de commande défectueux.	➤ Réparer ou remplacer les connexions ou le transformateur de commande.
	b) Interrupteur de verrouillage du treuil engagé.	➤ Vérifier le verrouillage. Vérifier que la chaîne de dégagement manuel n'est pas engagée.
LA DEL DU BOUTON D'ARRÊT NE S'ALLUME PAS.	a) La station de commande n'est pas connectée ou câblée correctement.	➤ Vérifier le câblage à la station de commande.
	b) Mauvais fonctionnement de l'interrupteur de verrouillage.	➤ Vérifier la continuité de la ou des interrupteurs de verrouillage.
LA PORTE BOUGE D'ENVIRON UN PIED PUIS S'ARRÊTE. APRÈS L'ARRÊT, SEULE UNE COMMANDE À PRESSION CONSTANTE FAIT BOUGER LA PORTE.	a) Le capteur de régime du moteur n'est pas connecté correctement ou fonctionne mal.	<ul style="list-style-type: none"> <li>➤ Vérifier l'ensemble du capteur de régime pour détecter les connexion desserrées. S'assurer que la coupelle de l'interrupteur tourne lorsque l'actionneur fonctionne. Vérifier si un corps étranger bloque la lentille optique.</li> <li>➤ Remplacer le capteur de régime du moteur.</li> </ul>
	b) L'embrayage glisse.	➤ Ajuster l'embrayage et vérifier que la porte ne se bloque pas.
LA PORTE BOUGE SUR PRESQUE TOUTE SA COURSE VERS SA FIN DE COURSE PUIS S'ARRÊTE. LA PORTE COMPLÈTE LE CYCLE D'OUVERTURE OU DE FERMETURE PAR UNE COMMANDE SUPPLÉMENTAIRE.	La minuterie de fonctionnement maximal n'est pas configurée correctement	➤ Reprogrammer manuellement la minuterie de fonctionnement maximal (page 25). OU restaurer les valeurs d'usine par défaut (page 25).
LA PORTE S'OUVRE UN PEU MAIS PAS COMPLÈTEMENT. UN OPEN (ouvrir) SUPPLÉMENTAIRE PERMET D'OUVRIRE LA PORTE COMPLÈTEMENT.	Un arrêt à mi-course a peut-être été réglé.	➤ Vérifier si la DEL de mi-course est allumée. Annuler la mi-course en tournant le cadran de réglage à programmation. Appuyer et tenir le bouton MID STOP (mi-course) durant 5 secondes. Ramener le cadran au type de câblage désiré.
LA PORTE S'OUVRE MAIS SE FERME SEULEMENT APRÈS UN DÉLAI DE CINQ SECONDES AVEC UNE PRESSION CONSTANTE SUR LE BOUTON CLOSE (fermer) (MODE DE FERMETURE RESTREINTE)	a) Le dispositif de protection contre le piégeage branché est entravé ou activé.	➤ Si la DEL LMEP sur la carte clignote, le capteur photoélectrique est désaligné ou non connecté. Retirez tout obstacle, vérifiez le câblage du dispositif de protection contre le piégeage pour s'assurer de la présence de continuité au circuit de sécurité ou pour détecter la présence de courts-circuits. Dans l'éventualité où plus d'un dispositif de protection contre le piégeage est installé au moyen d'une carte CPS3CARD, le voyant du dispositif de protection ne clignotera pas si l'un de ceux-ci est entravé.
	b) La carte logique pense que les capteurs photoélectriques à connexion directe sont attachés ou bloqués.	➤ Désapprendre les capteurs photoélectriques de la mémoire en restaurant aux valeurs d'usine par défaut.

## CODES D'ERREUR DE DÉPANNAGE

Les ouvre-portes Logic 5.0 comprennent une fonction d'auto-diagnostic intégrée dans la DEL MAS. En plus d'indiquer quand l'entretien de routine est dû, la DEL MAS peut être utilisée pour dépanner certaines problèmes de l'ouvre-porte.

Si la DEL MAS sur la carte logique ou sur le poste de commande à trois boutons clignote rapidement, c'est que le système d'alerte d'entretien s'est déclenché et qu'un entretien de l'actionneur doit être effectué. Si la DEL MAS clignote 2 clignotements ou plus de suite suivis d'une pause, une erreur de l'ouvre-porte s'est produite. Pour voir les codes d'erreur, tourner le cadran sélecteur à DIAG et appuyer sur le bouton d'ouverture (OPEN). Pour voir les codes d'erreur individuels (s'il existe plus d'un code), appuyer sur le bouton de fermeture (CLOSE). Il est possible d'avoir plus d'une erreur à la fois.

Utiliser le tableau ci-dessous pour déterminer l'erreur.

CODE D'ERREUR	DESCRIPTION	SYMPTÔME	SOLUTION
1 clignotement	MAS déclenché (cycles ou mois).	Fonctionnement normal.	Réinitialiser le MAS (page 22).
2 clignotements	Aucune entrée de régime du moteur pendant l'ouverture ou la fermeture.	La porte répond seulement aux commandes à pression constante.  OU Aucun mouvement de l'actionneur triphasé.	L'embrayage glisse, ajuster l'embrayage, ou vérifier la connexion du capteur de régime du moteur ou remplacer le capteur de régime du moteur. <b>REMARQUE :</b> Pour réapprendre le capteur de régime du moteur, déplacer la porte avec une commande à pression constante. La porte s'arrête lorsqu'elle a réappris et le fonctionnement normal reprend. OU Remplacer la carte d'alimentation triphasée.
3 clignotements	Temporisation de la minuterie de fonctionnement maximal (MRT).	La porte s'arrête avant d'atteindre le délai désiré.	Vérifier l'actionneur pour tout défaut (p. ex. interrupteur de limite défectueux), programmer la minuterie de course maximale OU réinitialiser aux paramètres réglés en usine.
4 clignotements	Obstacle détecté à la fermeture.	L'ouvre-porte s'inversera à la position OPEN (ouvrir).	Enlever l'obstacle ou réaligner le capteur photoélectrique.
5 clignotements	Un bouton est collé (pendant plus de 2 minutes).	Le poste de commande ne répond pas.	Le poste de commande doit être réparé ou remplacé avant qu'il soit reconnu comme une entrée.
6 clignotements	Carte à option non valide branchée dans les réceptacles de carte à option.	La carte à option ne fonctionne pas correctement.	Se référer à la page d'accessoires pour une liste des cartes à option supportées.
7 clignotements	Le dispositif de Protection contre le piégeage avec surveillance LiftMaster (LMPE) est défectueux ou a été enlevé durant plus de 2 minutes.	Fonctionnement normal (surpassement par pression constante de 5 secondes requis pour fermer).	Déprogrammé lorsque le dispositif de protection contre le piégeage est désactivé ou connecté.
8 clignotements	Baisse de tension détectée - sous-tension.	L'ouvre-porte ne fonctionne plus tant qu'une alimentation suffisante n'est pas disponible.	1. Vérifier la tension de la ligne CA. 2. Vérifier le secondaire du transformateur pour détecter une tension faible. Trop d'accessoires peuvent être connectés au transformateur.
9 clignotements	Panne du tableau d'alimentation.	Aucun mouvement de l'actionneur.	Remplacer le tableau de commande.
10 clignotements	L'actionneur n'était pas en mode de programmation lorsque le fil de liaison de phase du moteur a été remplacé.	La phase ne change pas.	Entrer en mode programmation et déplacer le cavalier de phase pour changer la phase.
11 clignotements	Une tension trop élevée a été fournie à l'actionneur – surtension.	L'actionneur fonctionnera aussi longtemps qu'une défaillance d'un composant ne survient pas.	1. Vérifier la tension de la ligne c.a. 2. La tension doit se trouver dans une limite de +/- 10 % de la tension prévue.
12 clignotements	Anomalie de détection de courant.	Le moteur se déplace pour un nombre limité de cycles, puis il cesse de se déplacer.	1. Vérifier la connexion du câblage de détection de courant. 2. Effectuer un cycle de mise sous tension de l'actionneur lorsque la connexion du câblage a été corrigée. OU 1. Remplacer la carte d'alimentation triphasée.

**REMARQUE :** Les codes d'erreur ont priorité sur le fonctionnement normal de la DEL MAS. Les codes d'erreur se répètent sur le MAS chaque 1,5 seconde jusqu'à ce qu'ils soient annulés. Il peut y avoir plus d'une erreur présente, mais seulement celle avec la priorité la plus élevée clignote. Si l'erreur la plus élevée est annulée, la prochaine plus élevée clignote. Toutes les erreurs se corrigent automatiquement lorsqu'une mesure corrective est prise. Une réinitialisation n'est pas nécessaire.

## FONCTIONNALITÉ DE DÉPANNAGE PAR RADIO

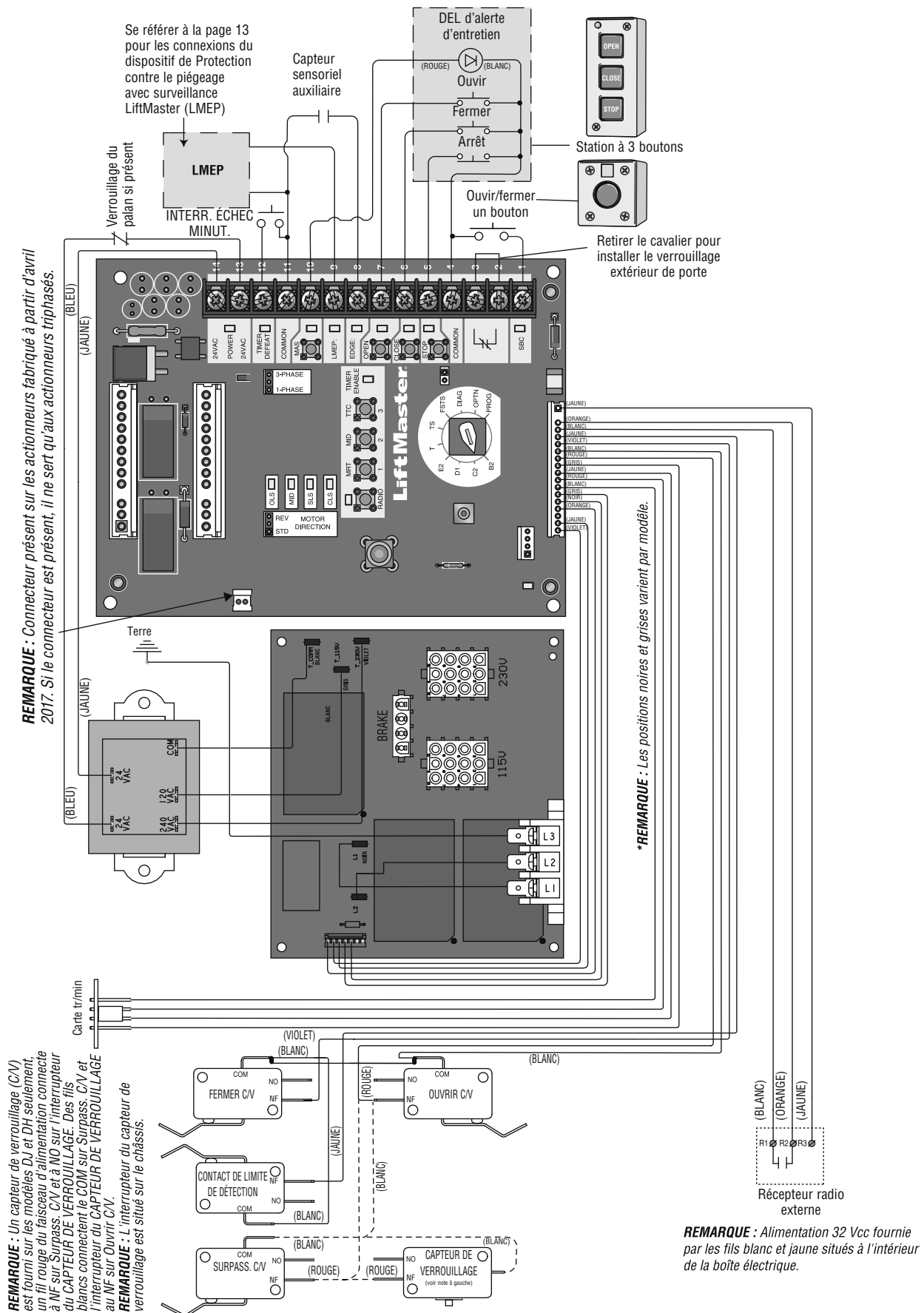
Les codes d'erreur s'affichent sur la DEL radio.

**REMARQUE :** Le récepteur radio est compatible avec les télécommandes et les dispositifs sans clés du SECURITY+ 2.0®.

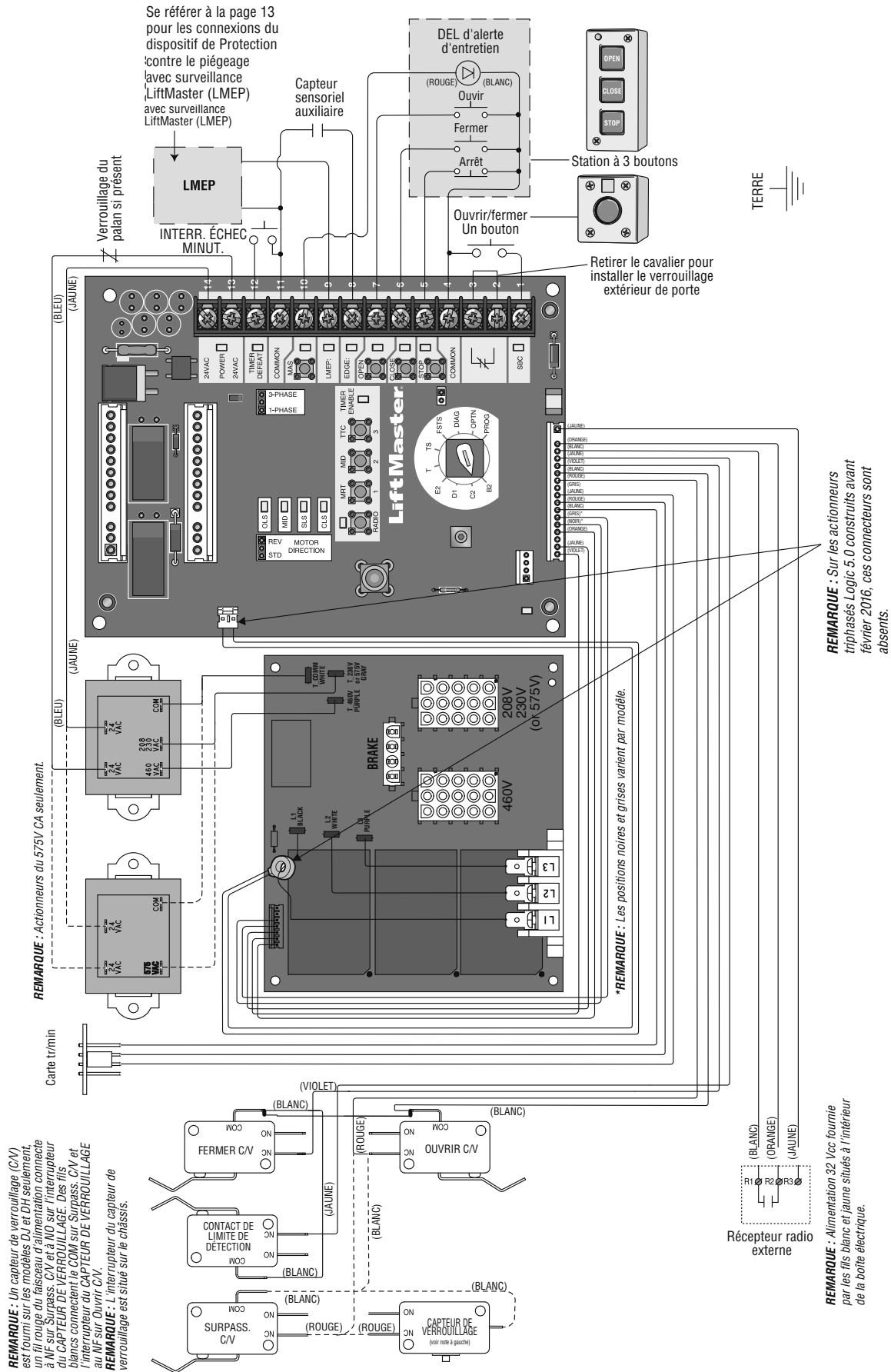
<b>CODE D'ERREUR</b>	<b>AFFICHAGE</b>	<b>SYMPTÔME</b>	<b>PROBLÈME POSSIBLE</b>	<b>CORRECTION</b>
R1	Clignotement rapide	Aucune réponse de la télécommande	Télécommande désapprise - Un utilisateur essaie d'utiliser une télécommande, mais la DEL RADIO clignote seulement brièvement et il n'y a pas de réponse de l'ouvre-porte.	Essayer de réapprendre la télécommande (page 21).
R2	Aucune activité DEL	Aucune réponse de la télécommande	Ne peut pas reconnaître la télécommande - Un signal faible causé par une pile déchargée ou une interférence externe avec la ou les télécommandes - OU - les télécommandes en cours d'apprentissage ne sont pas compatibles avec l'ouvre-porte. L'antenne n'est pas installée ou elle est endommagée.	Remplacer la pile - OU - éliminer l'interférence - OU - obtenir une télécommande qualifiée - OU - vérifier les connexions d'antenne.
R3	La DEL RADIO s'éteint après 30 secondes	La télécommande ne peut pas être apprise	Ne peut pas reconnaître la télécommande - Un signal faible causé par une pile déchargée ou une interférence externe interférant avec le processus d'apprentissage - OU - les télécommandes en cours d'apprentissage ne sont pas compatibles avec l'ouvre-porte. L'antenne n'est pas installée ou elle est endommagée.	Remplacer la pile - OU - éliminer l'interférence - OU - obtenir une télécommande qualifiée - OU - vérifier les connexions d'antenne.
R4	2 clignotements	La télécommande ne peut pas être apprise	La mémoire du récepteur est remplie - Un utilisateur entre un mode d'apprentissage par fonction radio, mais il n'y a pas d'espace restant pour ajouter une autre télécommande.	Effacer toutes les télécommandes apprises et réapprendre les télécommandes désirées.
R5	3 clignotements	La télécommande ne peut pas être apprise	Télécommande dupliquée - Un utilisateur entre un mode d'apprentissage par fonction RADIO et sélectionne la fonction à apprendre. Lorsque le bouton de la télécommande est pressé pour apprendre, une recherche révèle que la télécommande est déjà apprise.	Cette télécommande a déjà une fonction qui y est associée. Pour modifier la fonction, effacer toutes les télécommandes apprises et réapprendre la télécommande désirée.
R6	La DEL LMEP clignote	Impossible de fermer par pression constante dans les modes C2, D1 ou E2.	Dispositif de protection contre le piégeage absent - Un dispositif de détection est requis pour fermer par pression constante.	On doit connecter un dispositif de protection contre le piégeage avec surveillance LiftMaster (LMEP).

# SCHÉMAS DE CÂBLAGE

## LOGIC (VER. 5.0) SCHÉMA DE CÂBLAGE 1 PHASE



# LOGIC (VER. 5.0) SCHÉMA DE CÂBLAGE 3 PHASES





# ACCESSOIRES

## DISPOSITIF DE PROTECTION CONTRE LE PIÉGEAGE

### SURVEILLÉ

#### CPS-U



#### Cellules photoélectriques infrarouges à deux côtés

- Enceinte à usage général NEMA 1.
- Capteurs infrarouges à deux faces.
- Pour utilisation intérieure.
- Portée maximale de 9,1 m (30 pi).

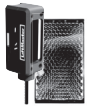
#### CPS-UN4



#### Cellules photoélectriques surveillées de type

- Boîtier ultra robuste pour applications industrielles.
- Boîtier NEMA 4 pour une protection contre la pulvérisation d'eau directe.
- Capteurs infrarouges à deux faces.
- Pour utilisation intérieure/extérieure.
- Portée maximale de 13,7 m (45 pi).

#### CPS-RPEN4



#### Cellules photoélectriques rétro réfléchissantes surveillées

- Faisceau polarisé convenant aux surfaces très réfléchissantes.
- Le boîtier NEMA 4X assure une protection contre pulvérisation d'eau directe et la corrosion.
- Capteur rétro réfléchissant.
- Pour utilisation intérieure/extérieure.
- Portée maximale de 15 m (50 pi).

#### CPS-OPEN4



#### Cellules photoélectriques infrarouges à deux côtés

- Boîtiers flexibles maintenant l'alignement dans les zones où le capteur risque fortement d'être heurté.
- Le boîtier NEMA 4X assure une protection contre pulvérisation d'eau directe et la corrosion.
- Capteurs infrarouges à deux faces.
- Pour utilisation intérieure/extérieure.
- Portée maximale de 13,7 m (45 pi).

### Système de bordure de porte optique (OES)

#### OES-SD16



#### Système de bordure à capteurs optiques

Ensemble de bordure de porte de 4,9 m (16 pi) à 2 fils pour porte articulée, avec capteurs optiques infrarouges, bordure de porte en caoutchouc et quincaillerie de montage (rail vendu séparément).

#### OES-SD24



#### Système de bordure à capteurs optiques

Ensemble de bordure de 7,3 m (24 pi) à 2 fils pour porte articulée, avec capteurs optiques infrarouges, bordure de porte en caoutchouc et quincaillerie de montage (sauf rail de porte).

#### OES-RD16



#### Système de bordure à capteurs optiques

Ensemble de bordure de porte de 4,9 m (16 pi) à 2 fils pour porte déroulante, avec capteurs optiques infrarouges, bordure de porte en caoutchouc et quincaillerie de montage (rail de porte non requis).

- La bordure en caoutchouc est durable, souple et facile à installer.
- Le caoutchouc de qualité supérieure peut être coupé à la longueur désirée pour un ajustement exact.
- L'homologation NEMA 6 protège contre l'humidité et l'eau stagnante.
- Les capteurs optiques à infrarouge éliminent la nécessité de contacts électriques.
- Portée maximale de 10 m (33 pi).
- Les bordures pour portes articulées ou déroulantes sont aussi offertes en rouleaux de 15 m (50 pi), avec des composants individuels pour réaliser d'autres économies lors de grands travaux d'installation.

### SURVEILLÉ

#### CPS3CARD



#### Carte d'interface de sécurité

La carte d'interface enfichable permet d'utiliser un deuxième jeu de cellules photoélectriques ou de bordure surveillées avec un actionneur de porte commerciale.

#### CPS-MEI

#### Interface de bordure à 2 fils surveillée

Pour utilisation avec les bordures de porte à deux fils approuvées.

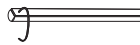
#### CPS-EI

#### Interface de bordure à 4 fils surveillée

Pour utilisation avec les bordures de porte à quatre fils approuvées.

### NON-SURVEILLÉ

#### 65-8202



#### Système de détection de véhicule

Ensemble de bordure de détection pneumatique avec interrupteur d'air extérieur, cordon enroulé à 2 fils et tuyau d'air de 4,3 m (14 pi).

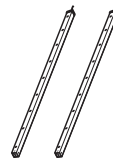
#### 65-5202



#### Système de détection de véhicule

Ensemble de bordure de détection pneumatique avec interrupteur d'air extérieur, bobine réceptrice à 2 fils (6 m [20 pi] étendu) et tuyau d'air de 4,3 m (14 pi).

#### LC-36A



#### Rideau de lumière

Un dispositif de protection contre le piégeage qui forme un motif croisé de faisceaux de lumière invisibles pour assurer une protection maximale. (Voir aussi 100MAPS.)

#### 100MAPS



#### Source d'alimentation électrique enfichable

Fournit l'alimentation au rideau de lumière LC-36A.

# ACCESSOIRES

## ACCESSOIRES myQ

828LM



### LiftMaster® Internet Gateway

Permet aux propriétaires d'actionneurs d'ouvre-portes de garage d'application commerciale d'ouvrir et de fermer leurs portes de garage ainsi que d'allumer ou d'éteindre les lumières dans et autour de leurs installations au moyen d'un téléphone intelligent ou d'un ordinateur, et ce, de n'importe où dans le monde.

819LMB



### myQ® Home Bridge

Utilise une commande par téléphone intelligent des produits activés par myQ qui n'ont pas de Wi-Fi intégré et commande vos portes de garage ou votre éclairage de n'importe où. Permet aussi la livraison sécurisée dans le garage des colis d'Amazon Prime.

829LM



### Moniteur de porte de garage et de barrière

Surveille l'état de marche-arrêt de 4 ouvre-portes de garage ou actionneurs de barrière (au maximum) compatibles avec myQ, et permet de les fermer depuis n'importe où.

825LM



### Télécommande d'éclairage

Commandez automatiquement votre éclairage en vous servant de l'ouvre-porte de garage, d'une télécommande Security + 2.0® ou d'une passerelle internet LiftMaster®. Se branche dans n'importe quelle prise de courant intérieure.

## TÉLÉCOMMANDES AVEC SECURITY+ 2.0® ET CONNECTIVITÉ

811LM



### Télécommande à un seul bouton avec commutateur DIP encodé

Idéal pour des portes de garage d'application commerciale pour lesquelles un grand nombre de télécommandes à l'intérieur d'un espace partagé est requis.

811LM



### Télécommande à trois boutons avec commutateur DIP encodé

Inclut des indicateurs rouges, jaunes et verts pour les fonctions d'ouverture, de fermeture et d'arrêt.

877LM



### Clavier sans fil

Peut être programmé avec des codes d'accès temporaires pour les visiteurs ou les employés chargés de la livraison.

## RADIO

STAR1000



### Récepteur de commande d'accès d'application commerciale

Programme jusqu'à 1 000 télécommandes LiftMaster®. Prend en charge les télécommandes qui permettent ou non la mise en veille afin d'interdire ou de rétablir l'accès.

850LM



### Récepteur Universel

Avec technologie Security+ 2.0®. Conçu pour les ensembles résidentiels protégés et les immeubles commerciaux pour prendre en charge et gérer de multiples points d'accès et de multiples télécommandes.

## STATIONS DE COMMANDE

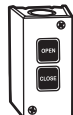
02-101



### Station de commande à 1 bouton

Boîtier en acier.

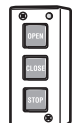
02-102



### Station de commande à 2 boutons

Boîtier en acier.

02-103L



### Station de commande à 3 boutons

Boîtier en acier avec Système d'alerte d'entretien.

02-110



### Station de commande à clé

Montage encastré intérieur NEMA 1 avec bouton STOP (arrêt).

02-401M



### Station de commande à 1 bouton

À monter sur une surface intérieure. Présente un seul bouton pour activer l'ouverture d'une ou de plusieurs portes commerciales.

# ACCESSOIRES

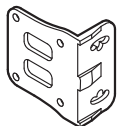
## SUPPORTS DE MONTAGE

### 10-12360



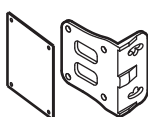
Support d'acier de forte épaisseur pour montage vertical ou horizontal sur le devant ou le haut du rouleau d'une porte roulante. Comporte une variété d'arrangements de trous de montage compatibles avec plusieurs fabricants d'équipement. Pour utilisation avec les ouvre-portes J, H, DJ et DH. Peut être soudé.

### 08-9098



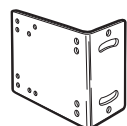
Support en fonte pour monter les ouvre-portes à montage latéral J, H, DH, DJ et GH sur un support de bout d'une porte ou grille roulante. Pour montage vertical ou horizontal à l'avant ou en haut du rouleau. Ne peut pas être soudé.

### 08-9098EZ



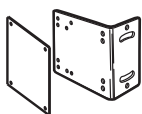
Comme 08-9098, mais avec une plaque adaptatrice pour tenir les boulons de montage en place pour montage plus facile.

### 1A4324



Support d'acier de forte épaisseur pour montage vertical ou horizontal sur le devant ou le haut du rouleau d'une porte roulante. Peut être soudé. Pour utilisation avec les ouvre-portes J, H, DJ et DH.

### 1A4324EZ



Même que 1A4324, mais avec une plaque adaptatrice pour tenir les boulons de montage en place pour montage plus facile.

## TENDEURS DE CHÂÎNE

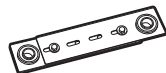
Pour ouvre-porte de type arbre secondaire

### 71-6023

Pour arbres de 2,5 cm (1 po). Recommandé pour une tension appropriée de la chaîne d'entraînement entre l'arbre de l'ouvre-porte et l'arbre de la porte.

### 71-6125

Même que 71-6023, mais pour arbres de 3,2 cm (1-1/4 po).



## CARTES À OPTION

### TLS1CARD

#### Carte de statut d'éclairage et de minuterie

La carte à option TLS fournit des fonctions spéciales pour activer et faire clignoter des dispositifs auxiliaires comme des lumières, des sonneries et des klaxons/stroboscopes à diverses positions de porte et pour fournir des fonctions spéciales de minuterie.

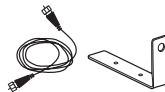
### AUXCARD

#### Carte de contact auxiliaire

La carte à option Contact auxiliaire a des contacts normalement ouverts et normalement fermés qui sont actionnés lorsque la porte est à l'arrêt, qu'elle s'ouvre ou qu'elle se ferme.

## ACCESSOIRES DE COMMANDE SUPPLÉMENTAIRES

### 86LM (4,6 m [15 pi]) 86LMT (7,6 m [25 pi])



#### Ensemble d'extension d'antenne

L'ensemble d'extension d'antenne peut être utilisé avec une antenne extérieure pour une portée de réception radio maximale.

### RGL24LY



#### Voyant de circulation rouge/vert

Indique lors qu'une porte commerciale atteint la position d'ouverture complète. Fournit l'assurance d'une entrée et sortie sécuritaire de l'installation, réduisant ainsi le potentiel d'accidents coûteux. (La TLS1CARD est recommandée)

### RGL-CTL



#### Feu de circulation rouge/vert compact

Similaire à la fonction RGL24LY, mais avec des DEL à haute intensité lumineuse et une enceinte entièrement scellée. Idéal pour les opérations de voie simple qui exigent une visibilité ciblée.

### 50-HERK2



#### Détecteur de mouvement de 24 V

Détecteur de mouvement à micro-ondes avec deux canaux programmables de manière indépendante.

### 50450



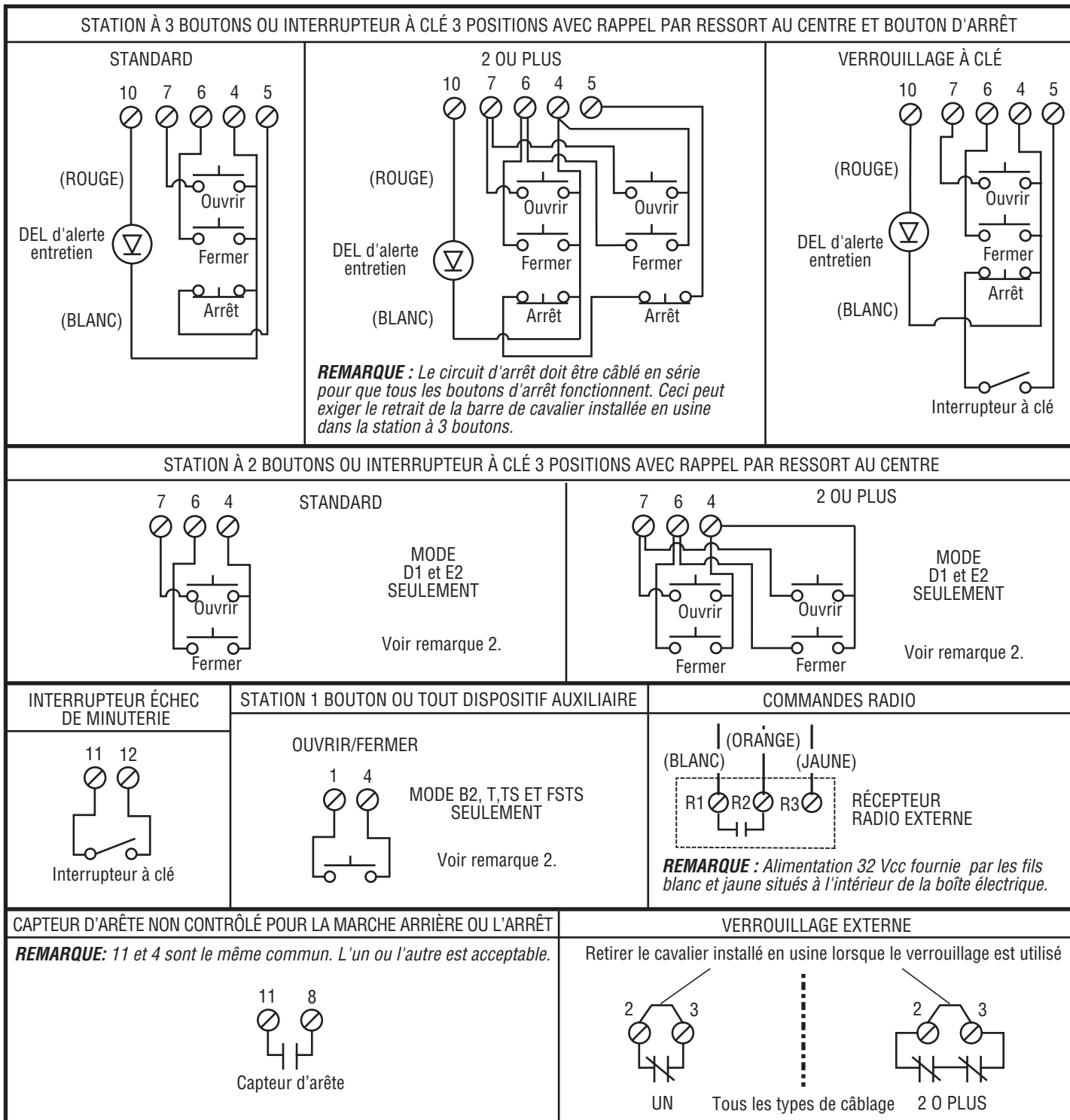
#### Verrouillage de l'interrupteur de porte articulée

L'interrupteur NEMA 4 désactive le circuit de commande de l'actionneur lorsque la porte est verrouillée, empêchant ainsi le fonctionnement électrique de la porte.

# SCHÉMA DE CONNEXIONS DE COMMANDE

## REMARQUES IMPORTANTES :

1. La station de commande à 3 boutons fournie doit être connectée pour le fonctionnement.
2. Si un bouton STOP (arrêt) n'est pas utilisé, un cavalier doit être placé entre les bornes 4 et 5.
3. Lors d'ajout d'accessoires, les installer un à la fois et tester chacun après son addition pour s'assurer d'une installation et d'un fonctionnement correct de l'ouvre-porte commercial.



© 2018, LiftMaster  
Tous droits réservés

Wi-Fi® est une marque déposée de Wi-Fi Alliance®

App Store et les logos Apple et App Store sont des marques de commerce d'Apple Inc.

Google Play est une marque de commerce de Google LLC